



SERVICE PARTS LIST

BUL. 54-12-3032

3/4" ELECTRIC DRILL

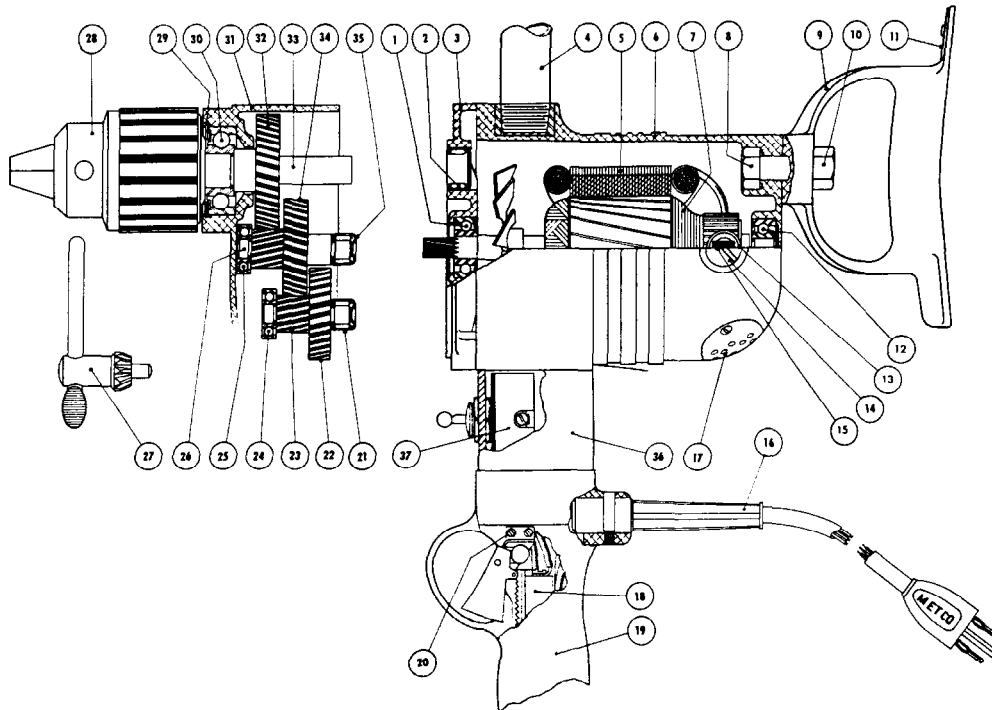
REVISED BUL 6128-3 DATE Feb. '68

Catalog No. 1850-1

Starting Serial No. **128-3012**

WIRING INSTR. **58-01-0560**

Both Model and Serial No. must be furnished to obtain correct parts.



ILLUSTRATED PARTS

FIG.	PART NO.	DESCRIPTION OF PART	FIG.	PART NO.	DESCRIPTION OF PART
1	02-04-1260	Ball Bearing	20	42-36-0230	Switch Bracket
2	02-50-4040	Needle Bearing	21	02-50-2450	Needle Bearing
3	28-28-0102	Diaphragm	22	32-40-1001	Intermediate Gear
4	43-62-0230	Pipe Handle	23	36-66-2601	1st Inter. Pinion Shaft
5	18-82-1070	Field Assembly	24	02-04-0910	Ball Bearing
6	28-50-4761	Motor Housing	25	02-04-0910	Ball Bearing
7	16-82-1810	Armature Assembly	26	36-66-0501	2nd Inter. Pinion Shaft
8	06-75-0850	1/2-13x1 1/2 Spade Handle Bolt (Hex.Hd.)	27	48-66-3160	Chuck Key
9	14-34-0100	Spade Handle (inc. item 11)	28	48-66-2080	Chuck with No. 3 Taper
10	06-55-2850	Spade Handle Jam Nut	29	34-80-3450	Ball Bearing Retaining Ring
11	see item 9	Spade Handle Key Clip	30	02-04-2050	Ball Bearing
12	02-04-1070	Ball Bearing	31	28-14-0401	Gear Case
13	22-22-0100	Brush Holder Assembly	32	32-75-1001	Spindle Gear
14	23-44-0081	Brush Retaining Screw Assembly (2)	33	38-50-3471	Spindle
15	22-18-0115	Carbon Brush Assembly (2)	34	32-44-1181	2nd Intermediate Gear
16	22-64-0080	Cord Set	35	02-50-2450	Needle Bearing
17	44-66-0180	Air Intake Cover Plate	36	28-50-7121	Reversing Switch Housing
18	23-66-0190	Switch	37	23-66-0340	Reversing Switch
19	28-44-9241	Switch Handle			

MISCELLANEOUS PARTS NOT SHOWN

PART NO.	DESCRIPTION OF PART	PART NO.	DESCRIPTION OF PART
12-98-0900	Name Plate	06-83-2670	1/4-20x1/2 Hd'less Brush Holder Set Sers. (2)
06-81-8650	6-32x1/4 Rd.Hd.Spade Handle Key Clip Sems	06-81-8625	6-32x1/4 Rd.Hd.Sems Brass Grounding Wire
06-81-8650	6-32x1/4 Rd.Hd.Switch Mtg. Sems (2)	06-97-3200	Kantlink Lock Washer
06-81-3400	6-32x1/4 Oval Hd. Switch Bracket Screws (2)	06-97-3800	Kantlink Lock Washer (4)
06-81-8650	6-32x1/4 Rd.Hd.Sem Air Intake Screws (2)	06-42-1600	Woodruff Keys
06-81-8400	4-40x1/4 Rd.Hd. Name Plate Sems (2)	06-42-1200	Woodruff Keys
06-81-7850	1/4-20x1 Fil.Hd.Gear Case Sems (2)	06-42-2400	Woodruff Keys
06-81-7950	1/4-20x1 1/4 Fil.Hd.Gear Case Sems (2)	45-04-0100	Cord Retaining Screw (2)
06-81-2150	1/4-20x3/4 Fil.Hd.Switch Handle Screws (4)	23-16-0200	Fiber Insulation
06-81-3100	5/16-18x1 Flat Hd. Internal Socket Screw	48-03-0010	Attachment Plug Adaptor
06-81-9000	8-32x3-1/8 Rd.Hd. Field Sem (2)	23-86-0130	Brush Holder Washer (2)
06-97-1800	Lock Washers (10)	45-36-0200	Spindle Spacer
		49-96-0080	Socket Wrench