



SERVICE PARTS LIST

3/4" ELECTRIC DRILL

Catalog No. 1854

Starting Serial No. **593-1001**

Specify Catalog and Serial No. when ordering parts

BUL. 54-12-1150

REVISED BUL.

DATE

Nov. '77

WIRING INSTRUCTIONS

58-01-0606

400 R.P.M.
11 AMPS

FOR CAT. NO. 1854-2
(240V) TOOL USE:

16-76-0090 ARMATURE
18-76-0070 FIELD
22-64-4100 CORD SET

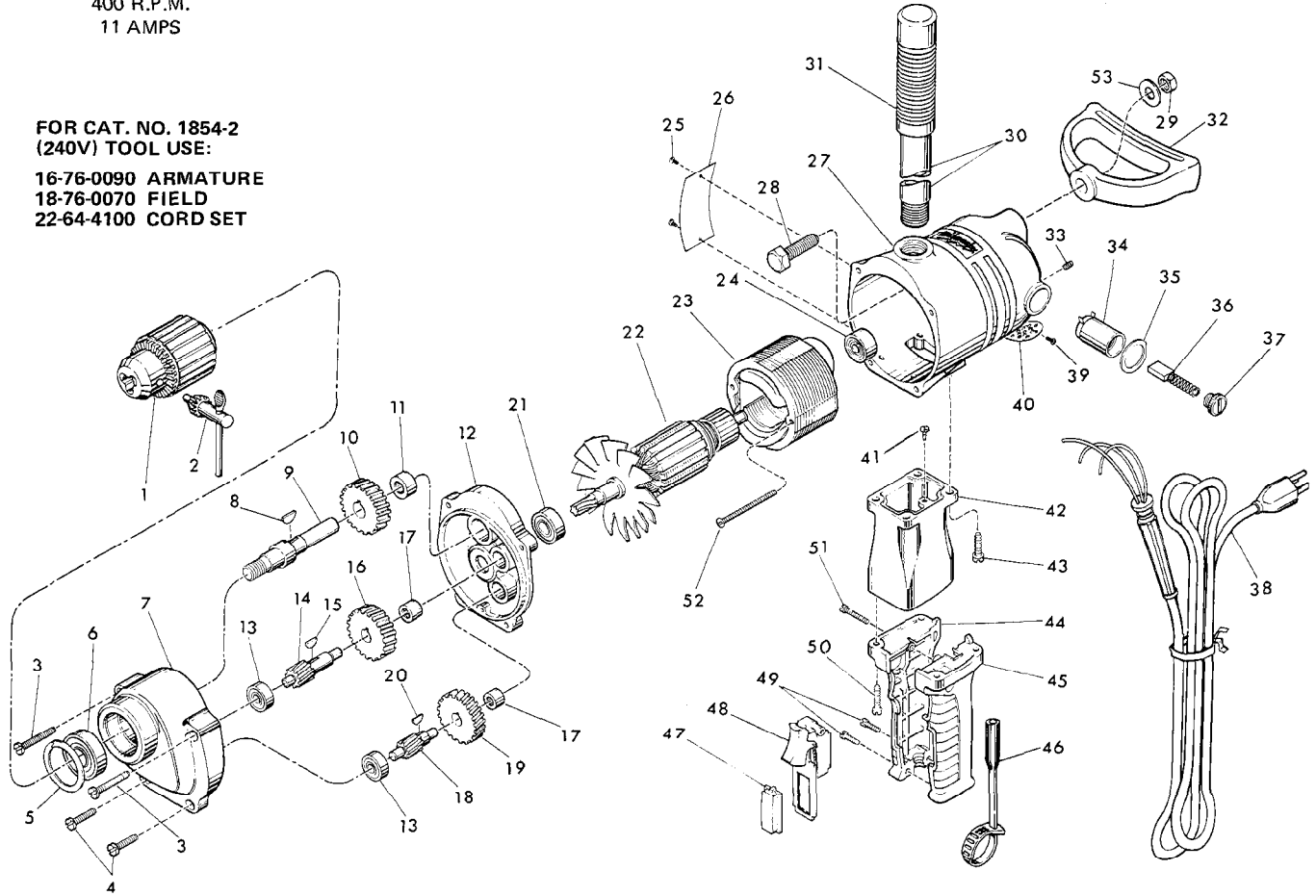


FIG.	PART NO.	DESCRIPTION OF PART	NO. REQ.	FIG.	PART NO.	DESCRIPTION OF PART	NO. REQ.
1	48-66-2040	3/4" Chuck (Includes Fig. No. 2)	(1)	29	06-55-2850	1/2-13 Hex Nut	(1)
2	48-66-3160	Chuck Key	(1)	30	43-62-0120	Pipe Handle	(1)
3	06-81-7950	1/4-20x1-3/4 Fil. Hd. Sem	(2)	31	43-62-0242	Handle Grip	(1)
4	06-81-7850	1/4-20x1 Fil. Hd. Sem	(2)	32	31-44-1050	Spade Handle	(1)
5	34-80-3450	Retaining Ring	(1)	33	06-83-2650	1/4-20x3/8 Knrl. Set Screw	(2)
6	02-04-1780	Ball Bearing	(1)	34	22-22-1015	Brush Holder	(2)
7	28-14-0401	Gear Case	(1)	35	23-86-0060	Insulating Washer	(2)
8	06-42-2400	Woodruff Key	(1)	36	22-18-0055	Carbon Brush	(2)
9	38-50-1201	Spindle	(1)	37	23-44-0030	Brush Retaining Screw	(2)
10	32-75-1001	Spindle Gear	(1)	38	22-64-0386	Cord Set	(1)
11	02-50-4040	Needle Bearing	(1)	39	06-81-8650	6-32x1/4 Rd. Hd. Sem	(2)
12	28-28-0102	Diaphragm (Includes 06-65-1206 Pin)	(1)	40	44-66-0180	Cover Plate	(1)
13	02-04-0910	Ball Bearing	(2)	41	06-81-8625	6-32x1/4 Ground Screw	(1)
14	36-66-0501	Intermediate Pinion Shaft	(1)	42	28-86-1601	Spacer	(1)
15	06-42-1600	Woodruff Key	(1)	43	06-81-7800	1/4-20x3/4 Fil. Hd. Sem	(4)
16	32-44-1181	Intermediate Gear	(1)	44	31-44-0500	Right Handle Half	(1)
17	02-50-2450	Needle Bearing	(2)	45	31-44-0510	Left Handle Half	(1)
18	36-66-2601	Intermediate Pinion Shaft	(1)	46	48-66-4020	Key Holder	(1)
19	32-40-1001	Intermediate Gear	(1)	47	31-53-0100	Handle Plug	(1)
20	06-42-1200	Woodruff Key	(1)	48	23-66-0591	Switch	(1)
21	02-04-1260	Ball Bearing	(1)	49	06-81-6202	8-32x5/8 Fil. Hd. Sem	(2)
22	16-70-0090	120 Volt Armature	(1)	50	06-81-7550	12-24x3/4 Fil. Hd. Sm	(4)
23	18-70-0070	120 Volt Field	(1)	51	06-81-6402	8-32x1-1/8 Fil. Hd. Sem	(1)
24	02-04-1070	Ball Bearing	(1)	52	06-81-9190	10-24x2-1/4 Rd. Hd. Sem	(2)
25	06-85-0200	Nameplate Screw	(2)	53	45-88-0310	Flat Washer	(1)
26	12-99-0040	Nameplate Blank	(1)	54	12-98-7081	Caution Plate (Not Shown)	(1)
27	28-50-4161	Motor Housing (Includes Fig. Nos. 28 & 29)	(1)				
28	06-75-0850	1/2-13x1-1/2 Hex. Hd. Screw	(1)				