



SERVICE PARTS LIST

BULLETIN NO.
54-12-1301

SPECIFY CATALOG NO. AND SERIAL NO. WHEN ORDERING PARTS		REVISED BULLETIN 54-12-1300	DATE May '83
3/4" ELECTRIC DRILL			
CATALOG NO. 1854-1	STARTING SERIAL NO. 567-11001	WIRING INSTRUCTION 58-01-0566	
CAT. NO. 1854-6	START SER. NO. 567-11001	BILINGUAL LABEL 10-98-6400	

FOR CAT. NO. 1854-3
(240V) TOOL USE:

18-76-0070 FIELD
16-76-0090 ARMATURE
22-64-4155 CORD SET

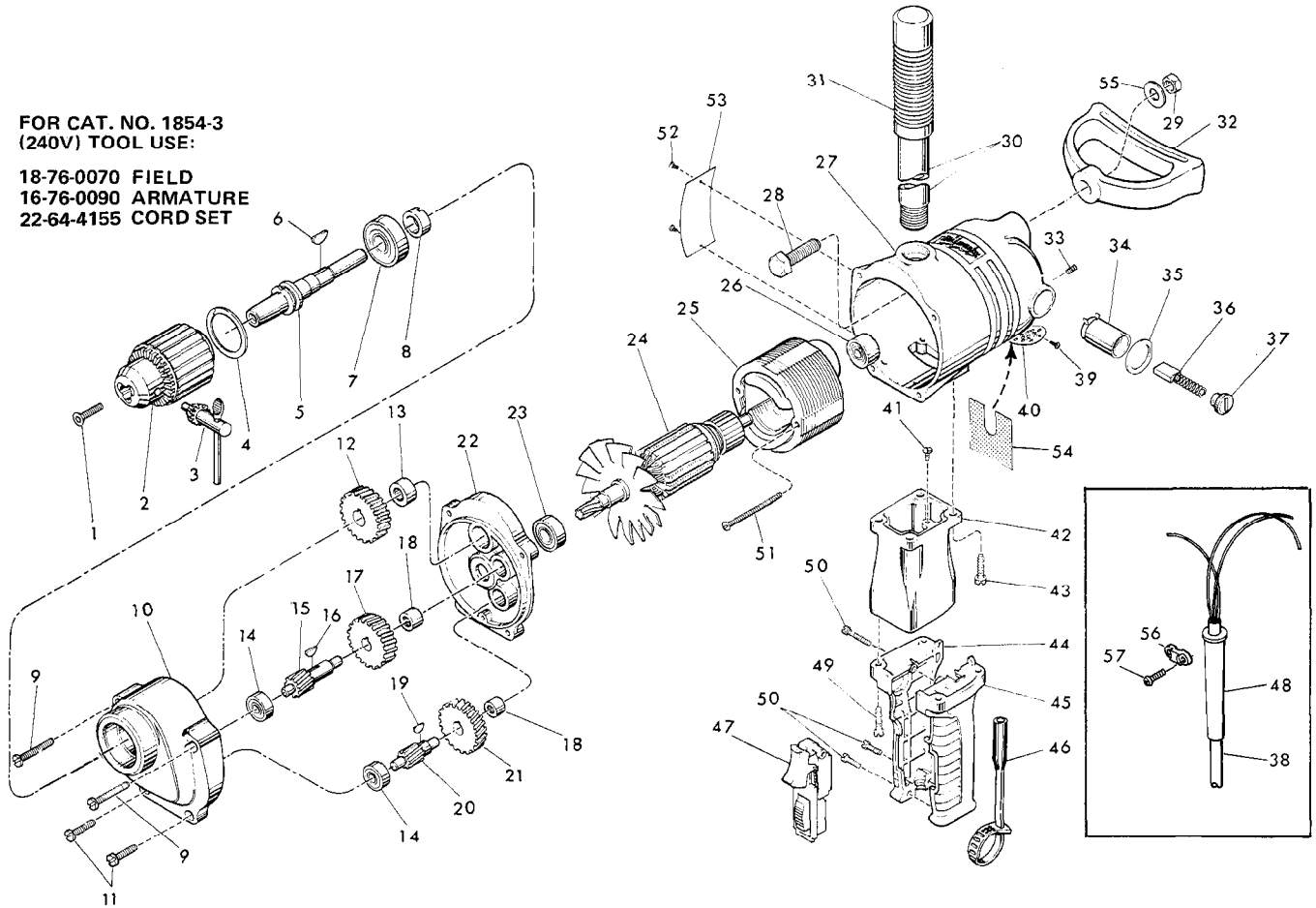


FIG.	PART NO.	DESCRIPTION OF PART	NO. REQ.
1	06-81-3100	5/16x1 Skt. Hd. Screw	(1)
2	48-66-2080	3/4" Chuck (Includes Fig. No. 3)	(1)
3	48-66-3160	Chuck Key	(1)
4	34-80-3450	Retaining Ring	(1)
5	38-50-3471	Reversing Spindle	(1)
6	06-42-2400	Woodruff Key	(1)
7	02-04-2050	Ball Bearing	(1)
8	45-36-0200	Spacer for Tapered Spindle	(1)
9	06-81-7950	1/4-20x1-3/4 Fil. Hd. Sem	(2)
10	28-14-0401	Gear Case	(1)
11	06-81-7850	1/4-20x1 Fil. Hd. Sem	(2)
12	32-75-1001	Spindle Gear	(1)
13	02-50-4040	Needle Bearing	(1)
14	02-04-0910	Ball Bearing	(2)
15	36-66-0501	Intermediate Pinion Shaft	(1)
16	06-42-1600	Woodruff Key	(1)
17	32-44-1181	Intermediate Gear	(1)
18	02-50-2450	Needle Bearing	(2)
19	06-42-1200	Woodruff Key	(1)
20	36-66-2601	Intermediate Pinion Shaft	(1)
21	32-40-1001	Intermediate Gear	(1)
22	28-28-0102	Diaphragm (Includes 06-65-1206 Pin)	(1)
23	02-04-1260	Ball Bearing	(1)
24	16-70-0090	120 Volt Armature	(1)
25	18-70-0070	120 Volt Field	(1)
26	02-04-1070	Ball Bearing	(1)
27	28-50-4161	Motor Housing (Includes 45-30-0110 BB Rtnng. Slug & Fig. Nos. 28 & 29)	(1)
28	06-75-0850	1/2-13x1-1/2 Hex Hd. Screw	(1)
29	06-55-2850	1/2-13 Hex Nut	(1)
30	43-62-0120	Pipe Handle	(1)

FIG.	PART NO.	DESCRIPTION OF PART	NO. REQ.
31	43-62-0242	Handle Grip	(1)
32	31-44-1050	Spade Handle	(1)
33	06-83-2650	1/4-20x3/8 Knrl. Set Screw	(2)
34	22-22-1015	Brush Holder	(2)
35	23-86-0060	Insulating Washer	(2)
36	22-18-0055	Carbon Brush	(2)
37	23-44-0030	Brush Retaining Screw	(2)
★38	22-64-0121	Cord Set	(1)
39	06-81-8650	6-32x1/4 Rd. Hd. Sem	(2)
40	44-66-0180	Cover Plate	(1)
41	06-81-8625	6-32x1/4 Ground Screw	(1)
42	28-86-1601	Spacer	(1)
43	06-81-7800	1/4-20x3/4 Fil. Hd. Sem	(4)
★44	31-44-1290	Right Handle Half	(1)
★45	31-44-1295	Left Handle Half	(1)
46	48-66-4020	Key Holder	(1)
47	23-66-0581	Reversing Switch	(1)
★48	44-76-0150	Cord Protector	(1)
49	06-81-7550	12-24x3/4 Fil. Hd. Sem	(4)
★50	06-95-0219	8-16 x 7/8" Plastite Screw	(3)
51	06-81-9190	10-24x2-1/4 Rd. Hd. Sem	(2)
52	06-85-0200	Nameplate Screw	(2)
53	12-99-0040	Nameplate Blank	(1)
54	23-16-0830	Arc Insulator	(1)
55	45-88-0310	Flat Washer	(1)
★56	31-17-0156	Cord Clamp	(2)
★57	06-95-0216	8-16 x 5/8" Plastite Screw	(2)
58	10-98-5987	Caution Label (Not Shown) Omit For Canadian Tools	(1)

MILWAUKEE ELECTRIC TOOL CORPORATION
13135 W. LISBON RD., BROOKFIELD, WIS. 53005