



**BOSCH**

# Grinder

18SG-7 | 2 610 955 654

---

## Table of Content

Spare parts list.....	2
Illustration - Type.....	3

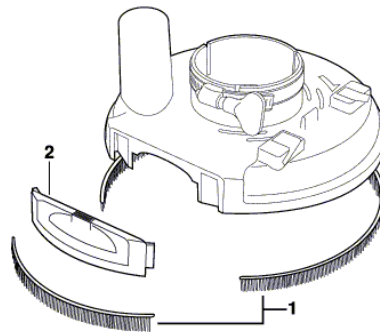
Spare parts list

Item	Part Number	Description	Illustration
1	2 610 002 854	Circular Brush	1
2	2 610 002 855	Cover	1

Illustration - Type - E

2 610 955 654

Stand } 17-09-26 **Fig./Abb. 1**  
Issue }



Änderungen vorbehalten  
Modifications reserved  
Modificaciones reservadas  
Salvo modificaciones