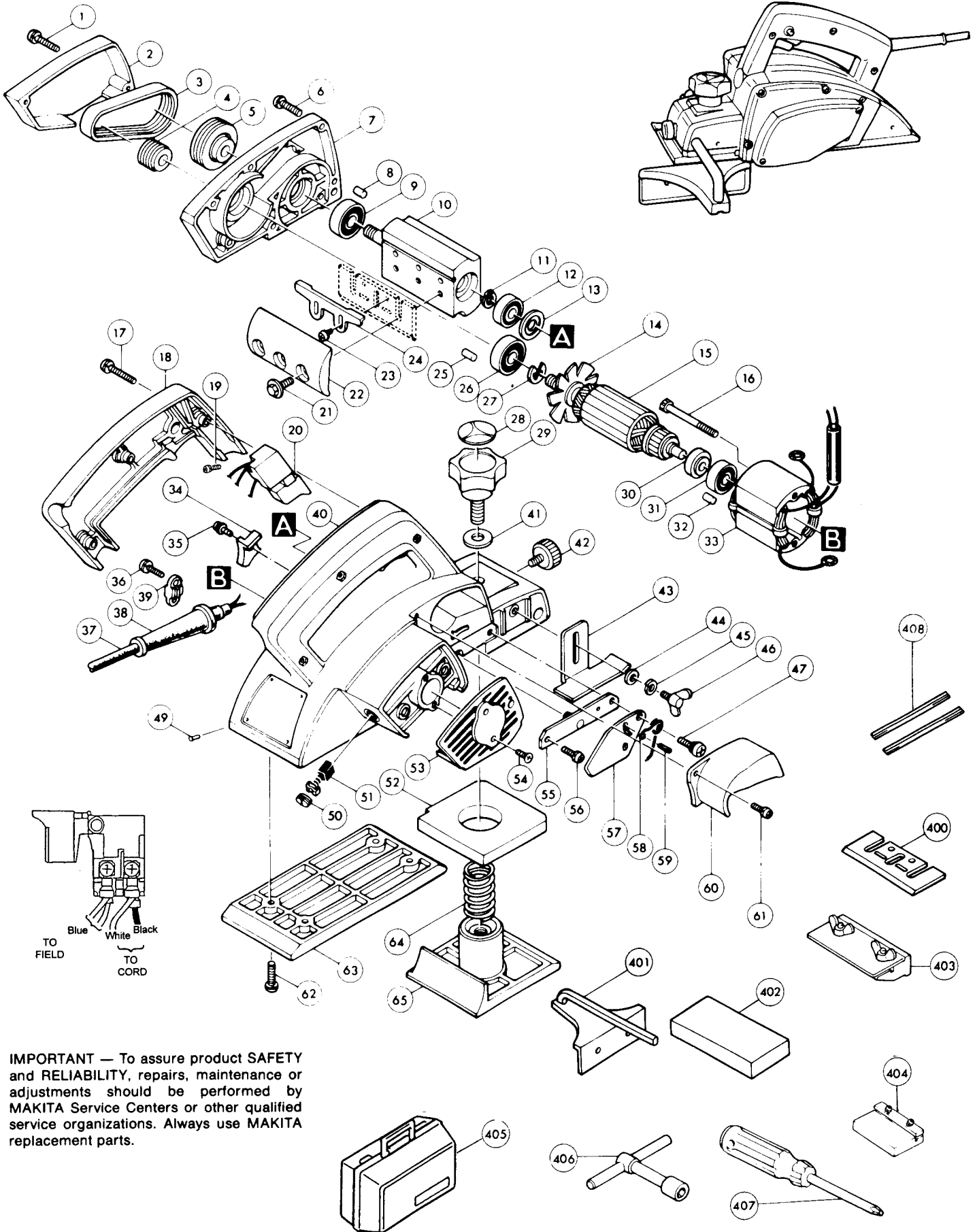




3-1/4" (82mm) PLANER

Model 1923B



IMPORTANT — To assure product **SAFETY** and **RELIABILITY**, repairs, maintenance or adjustments should be performed by **MAKITA** Service Centers or other qualified service organizations. Always use **MAKITA** replacement parts.

Fig.	Part No.	Qty. Used	Description	Fig.	Part No.	Qty. Used	Description
1	911148-2	2	P.H. SCREW M4X25	40	156592-8	1	MAIN FRAME (Incl. Fig. 32 & Brush Holder, 643556-6)
2	411019-8	1	BELT COVER	41	941251-5	1	FLAT WASHER 10
3	225007-7	1	POLY V-BELT 4-241	42	251812-6	1	SCREW M5X10
4	222008-6	1	V-PULLEY 4-20L	43	342390-8	1	DEPTH GUIDE
5	222009-4	1	V-PULLEY 4-37	44	941101-4	1	FLAT WASHER
6	911136-9	6	P.H. SCREW M4X20	45	942101-7	1	SPRING WASHER 5
7	152198-0	1	BRACKET (Incl. Fig. 8 & 25)	46	924206-5	1	WING BOLT M5X10
8	263002-9	1	RUBBER PIN 4	47	251228-5	1	P.H. SCREW M5
9	211062-5	1	BALL BEARING 6000ZZ	49	953106-2	4	RIVET
10	161045-4	1	DRUM	50	643550-8	1	BRUSH HOLDER CAP
11	961003-8	1	RETAINING RING S-7	51	191947-0	1	CARBON BRUSH (CB-76)
12	211026-9	1	BALL BEARING 627LLB	52	421007-7	1	RUBBER PACKING
13	285637-6	1	BEARING RETAINER 7-21	53	414508-2	1	REAR COVER
14	241318-2	1	FAN 52	54	911123-8	2	P.H. SCREW M4X14
15	511936-3	1	ARMATURE (Incl. Fig. 14, 26, 27, 30 & 31)	55	164372-8	1	DRUM HOLDER
16	911185-6	2	P.H. SCREW M4X55	56	911226-8	1	P.H. SCREW M5X18
17	911158-9	3	P.H. SCREW M4X30	57	341342-6	1	DRUM COVER
18	414509-0	1	HANDLE COVER	58	231504-3	1	TORSION SPRING 10
19	652008-6	3	P.H. SCREW M3.5X7	59	951051-5	1	SPRING PIN
20	651232-8	1	SWITCH	60	411650-0	1	CHIP COVER
21	251609-3	6	H.F.H. BOLT M6X17	61	911128-8	1	P.H. SCREW M4X16
22	345001-4	2	DRUM PLATE	62	911226-8	4	P.H. SCREW M5X18
23	251246-3	4	P.H. SCREW M4X5	63	312023-9	1	BASE
24	342430-2	2	ADJUST PLATE	64	231004-3	1	COMPRESSION SPRING 18
25	263002-9	1	RUBBER PIN 4	65	316157-0	1	FRONT BASE
26	211061-7	1	BALL BEARING 6000LLB				
27	961015-1	1	STOP RING				
28	812137-9	1	SCALE LABEL				
29	271231-0	1	KNOB 46				
30	681614-0	1	INSULATION WASHER				
31	211028-5	1	BALL BEARING 627LB				
32	263013-4	1	RUBBER PIN 4				
33	621122-9	1	FIELD (Incl. Garter Spring, 654018-9)				
34	411306-5	1	BAFFLE PLATE				
35	911128-8	1	P.H. SCREW M4X16				
36	911133-5	2	P.H. SCREW M4X18				
37	664013-1	1	POWER SUPPLY CORD				
38	682502-4	1	CORD GUARD				
39	687001-1	1	STRAIN RELIEF				
				ACCESSORIES			
				400	731001-4	1	PLANER BLADE 82
				401	164371-0	1	GUIDE RULE
				402	741802-2	1	DRESSING STONE
				403	123004-6	1	SHARPENING HOLDER ASS'Y (Incl. 2 each: Wing Nut, 934301-3 & C.S.N. Bolt, 251920-3)
				404	123010-1	1	BLADE GAUGE ASS'Y
				405	824174-1	1	PLASTIC TOOL CASE
				406	782209-3	1	SOCKET WRENCH 9
				407	783002-8	1	PHILLIPS SCREWDRIVER #2
				408	192157-2	1	DOUBLE EDGE PLANER BLADE SET (Incl. Mini Blade Set, 793322-2)