



BOSCH

Angle Grinder

1974-8D | 3 601 H90 E12

Table of Content

Spare parts list.....	2
Illustration - Type.....	4

Angle Grinder | 1974-8D | 3 601 H90 E12

Spare parts list						
Item	Part Number	Description			Illustration	
1	1 605 108 264	Motor Housing	BLUE		1	
5	1 604 460 133	Power supply cord	USA/CDN 2,15m 2 x 2,08mm SJ 14/2		1	
6	1 600 703 036	Grommet	Ø10,5-Ø11,0x100 MM		1	
7	1 601 302 018	Fastening Clamp			1	
9	1 601 118 R96	Manufacturer's nameplate	1974-8D		1	
13	1 600 905 034	groove ball bearing	9x26x8		1	
14	1 600 905 035	groove ball bearing	12x37x12		1	
23	1 605 500 266	Cover	BLACK		1	
24	1 605 132 19K	Handle			1	
28	1 600 210 033	O-Ring	79,0x1,78 MM		1	
29	1 600 210 045	O-Ring	8,0x1,0 MM		1	
30	1 600 591 041	Air Distributor			1	
31	1 600 591 05U	Air-Deflector Ring			1	
32	1 600 290 019	Retaining snap ring			1	
33	1 600 290 064	Rotary shaft lip seal	16 MM	BLUE	1	
34	1 600 190 020	Shim	0,15 MM	THICK	1	
34	1 600 190 021	Shim	0,3 MM	THICK	1	
34	1 600 190 022	Shim	0,1 MM	THICK	1	
34	1 600 190 037	Shim	0,2 MM	THICK	1	
34	1 600 190 038	Shim	0,25 MM	THICK	1	
34	1 600 190 039	Shim	0,35 MM	THICK	1	
34	1 600 190 040	Shim	0,4 MM	THICK	1	
35	1 600 205 034	Felt Washer			1	
37	1 618 B00 903	Seal Ring			1	
38	1 600 206 037	Rubber Ring			1	
43	1 605 500 264	Sealing cap	BLACK		1	
44	1 605 500 265	Sealing cap	BLACK		1	
45	1 603 300 019	Hex Nut	M10, SW14		1	
50	1 602 388 036	Cable routing			1	
51	1 600 200 031	Plain bearing	Ø14 MM		1	
53	1 605 190 068	Socket Housing			1	
60	1 603 435 023	Thread-forming tap. Screw	TT M5x18 MM		1	
61	1 603 490 005	Torx Oval-Head Screw			1	
63	1 603 410 014	Pan head screw	M4x10 MM		1	

Angle Grinder | 1974-8D | 3 601 H90 E12

Spare parts list

Item	Part Number	Description	Illustration
64	2 603 490 021	Torx Oval-Head Screw 4x12	1
65	2 603 490 023	Torx Oval-Head Screw 4x20	1
66	2 910 211 019	Tapping Screw DIN 7971-ST3,9x16-F	1
68	1 601 006 011	Sealing Plate	1
69	2 916 650 905	Spring retaining ring	1
75	1 600 290 060	Damper	1
76	1 603 414 025	Collar Screw	1
78	1 619 P09 476	O-Ring	1
79	1 600 A01 KK9	Locking Washer	1
131	1 601 118 R92	Manufacturer's nameplate	1
802	1 600 A01 ZG6	Field assembly	1
803	1 604 010 BG9	Armature	1
804	1 607 000 748	Switch	1
808	1 601 11A 6RF	Nameplate	1
810	1 607 014 194	Carbon-Brush Set	1
816	1 604 336 053	Brush Holder	1
821	1 607 000 C17	Gear Housing	1
822	1 607 000 CP1	Bearing Flange	1
825	1 607 000 CU6	Grinding Spindle	1
826	1 600 A02 4YV	Bevel Gear Set	1
835	1 606 610 150	Fan	1
840	1 607 000 431	Push-Button	1
846	1 607 000 432	Retaining Washer	1
848	1 600 119 010	Spring retaining ring	1
850	1 600 905 026	groove ball bearing 17x40x12	1
851	2 600 910 001	Needle-Roller Bearing Ø14 MM	1
651	1 605 510 410	Protective Cover 7"	2
660	1 602 025 051	Auxiliary Handle M14 BLACK	2
891	1 602 025 0A1	Auxiliary Handle	2
892	1 607 950 062	Pin-Type Face-Wrench	2
893	3 603 340 501	Clamping-Flange 5/8"-FL+B	2
894	3 603 340 503	Round Nut 5/8"	2

Illustration - Type - E

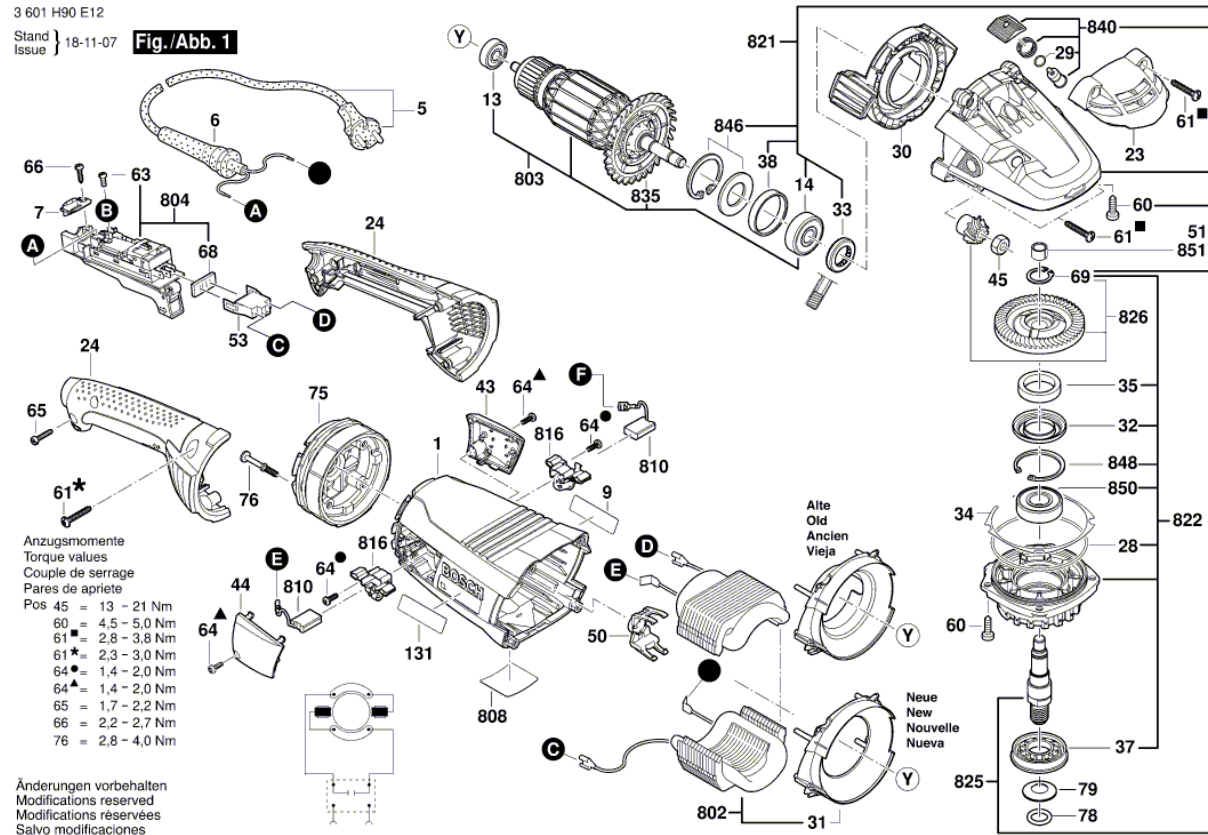
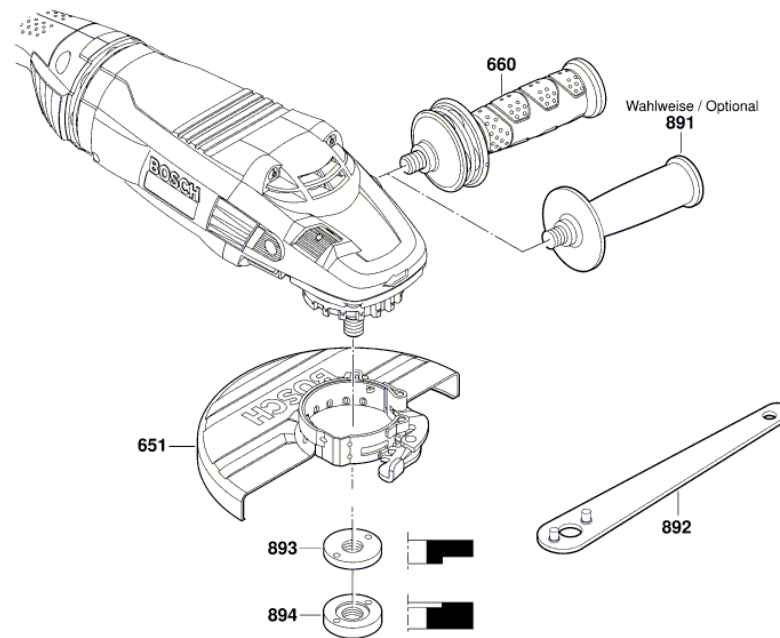


Illustration - Type - E

3 601 H90 E12

Stand | 22-10
Issue | 23-07-24

Fig./Abb. 2



Änderungen vorbehalten
Modifications reserved
Modifications réservées
Salvo modificaciones