

Angle Grinder - 3 601 H93 G10 - 1994-6D

www.powertools-aftersaleservice.com



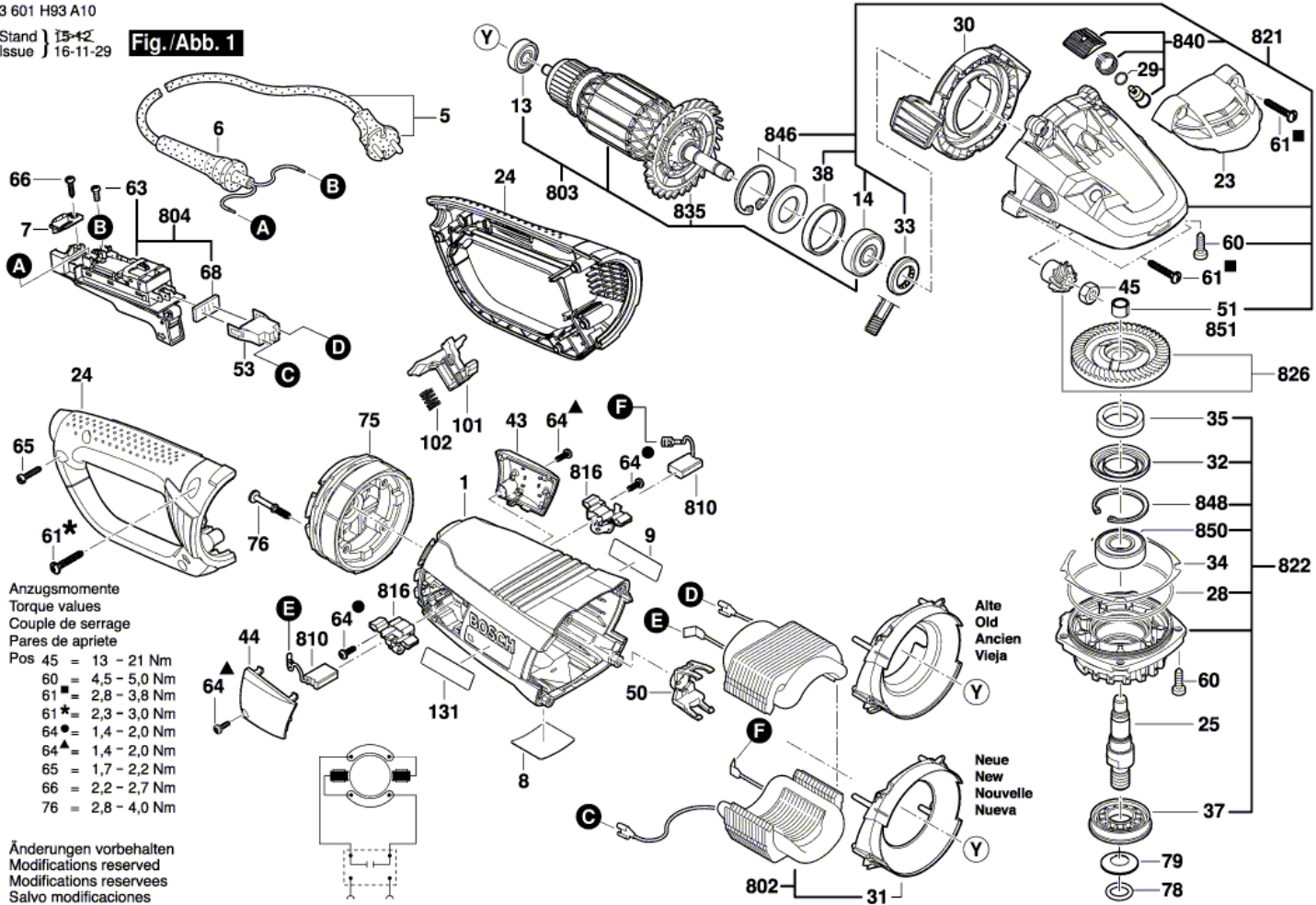
BOSCH

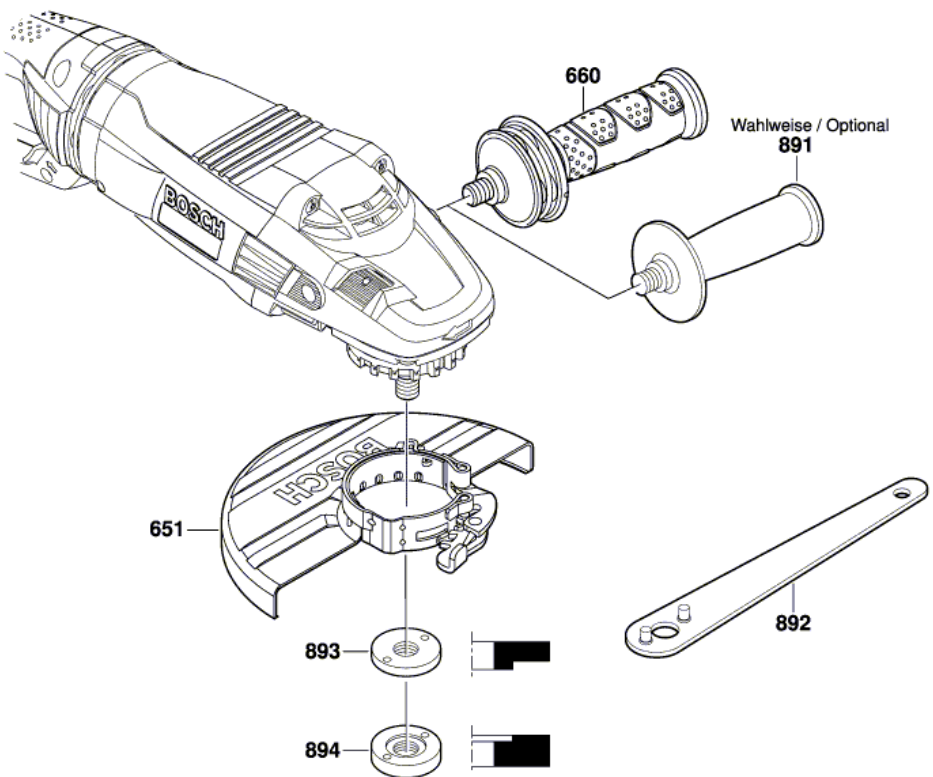
Item	Part Number	Description	Illustration	Price	Quantity	Price Group
1	1 605 108 264	Motor Housing BLUE	1	-,-	1	29
5	1 604 460 133	Power supply cord USA/CDN 2,15m 2 x 2,08mm SJ 14/2	1	-,-	1	27
6	1 600 703 036	Grommet Ø10,5-Ø11,0x100 MM	1	-,-	1	12
7	1 601 302 018	Fastening Clamp	1	-,-	1	11
8	1 601 118 R64	Nameplate	1	-,-	1	13
9	1 601 118 R94	Manufacturer's nameplate 1994-6D	1	-,-	1	13
13	1 600 905 034	groove ball bearing 9x26x8	1	-,-	1	17
14	1 600 905 035	groove ball bearing 12x37x12	1	-,-	1	22
23	1 605 500 266	Cover BLACK	1	-,-	1	12
24	1 605 132 154	Handle BLUE	1	-,-	1	25
25	1 603 123 05Y	Grinding Spindle	1	-,-	1	28
28	1 600 210 033	O-Ring 79,0x1,78 MM	1	-,-	1	11
29	1 600 210 045	O-Ring 8,0x1,0 MM	1	-,-	1	11
30	1 600 591 041	Air Distributor	1	-,-	1	13
31	1 600 591 05U	Air-Deflector Ring	1	-,-	1	14
32	1 600 290 019	Retaining snap ring	1	-,-	1	11
33	1 600 290 064	Rotary shaft lip seal 16 MM BLUE	1	-,-	1	12
34	1 600 190 020	Shim 0,15 MM THICK	1	-,-	1	11
34	1 600 190 021	Shim 0,3 MM THICK	1	-,-	1	11
34	1 600 190 022	Shim 0,1 MM THICK	1	-,-	1	11
34	1 600 190 037	Shim 0,2 MM THICK	1	-,-	1	10
34	1 600 190 038	Shim 0,25 MM THICK	1	-,-	1	10
34	1 600 190 039	Shim 0,35 MM THICK	1	-,-	1	10
34	1 600 190 040	Shim 0,4 MM THICK	1	-,-	1	10
35	1 600 205 034	Felt Washer	1	-,-	1	11
37	1 600 290 036	Seal Ring BLACK	1	-,-	1	12
38	1 600 206 037	Rubber Ring	1	-,-	1	10
43	1 605 500 264	Sealing cap BLACK	1	-,-	1	10
44	1 605 500 265	Sealing cap BLACK	1	-,-	1	10
45	1 603 300 019	Hex Nut M10, SW14	1	-,-	1	11
50	1 602 388 036	Cable routing	1	-,-	1	11
51	1 600 200 031	Plain bearing Ø14 MM	1	-,-	1	13
53	1 605 190 068	Socket Housing	1	-,-	1	11

Item	Part Number	Description	Illustration	Price	Quantity	Price Group
60	1 603 435 023	Thread-forming tap. Screw TT M5x18 MM	1	-,-	4	11
61	1 603 490 005	Torx Oval-Head Screw	1	-,-	6	11
63	1 603 410 014	Pan head screw M4x10 MM	1	-,-	1	11
64	2 603 490 021	Torx Oval-Head Screw 4x12	1	-,-	4	10
65	2 603 490 023	Torx Oval-Head Screw 4x20	1	-,-	2	10
66	2 910 211 019	Tapping Screw DIN 7971-ST3,9x16-F	1	-,-	1	10
68	1 601 006 011	Sealing Plate	1	-,-	1	13
75	1 600 290 060	Damper	1	-,-	1	27
76	1 603 414 025	Collar Screw	1	-,-	4	10
78	1 900 210 111	O-Ring 12x3 MM	1	-,-	1	13
79	1 600 171 001	Locking Washer	1	-,-	1	11
101	1 601 990 012	Catch Slide	1	-,-	1	12
102	1 604 616 022	Compression Spring	1	-,-	1	11
131	1 601 118 R93	Manufacturer's nameplate	1	-,-	1	15
651	1 605 510 409	Protective Cover 9"	2	-,-	1	39
660	1 602 025 051	Auxiliary Handle M14 BLACK	2	-,-	1	32
802	1 607 000 C4P	Assembly	1	-,-	1	38
803	1 604 011 299	Armature 110-120V RIGHT ROTATION	1	-,-	1	46
804	1 607 000 748	Switch	1	-,-	1	36
810	1 607 014 178	Carbon-Brush Set	1	-,-	1	26
816	1 604 336 053	Brush Holder	1	-,-	2	18
821	1 607 000 C17	Gear Housing	1	-,-	1	38
822	1 607 000 C24	Bearing Flange Ø230 MM	1	-,-	1	33
826	1 607 000 429	Bevel Gear Set	1	-,-	1	34
835	1 606 610 150	Fan	1	-,-	1	13
840	1 607 000 431	Push-Button	1	-,-	1	15
846	1 607 000 432	Retaining Washer	1	-,-	1	17
848	1 600 119 010	Retaining clip	1	-,-	1	11
850	1 600 905 026	groove ball bearing 17x40x12	1	-,-	1	21
851	2 600 910 001	Needle-Roller Bearing Ø14 MM	1	-,-	1	16
890	1 600 210 039	O-Ring 20,35x1,78 MM	N/A	-,-	1	10
891	1 602 025 022	Auxiliary Handle M14 BLACK	2	-,-	1	26
892	1 607 950 062	Pin-Type Face-Wrench	2	-,-	1	16
893	3 603 340 501	Clamping-Flange 5/8"-FL+B	2	-,-	1	17
894	3 603 340 503	Round Nut 5/8"	2	-,-	1	28

3 601 H93 A10
 Stand } 15-12
 Issue } 16-11-29

Fig./Abb. 1





3 601 H93 A10
Stand }
Issue } 09-02-12

Fig./Abb. 2

Änderungen vorbehalten
Modifications reserved
Modificacions reserves
Salvo modificaciones

Information subject to change without further notice.