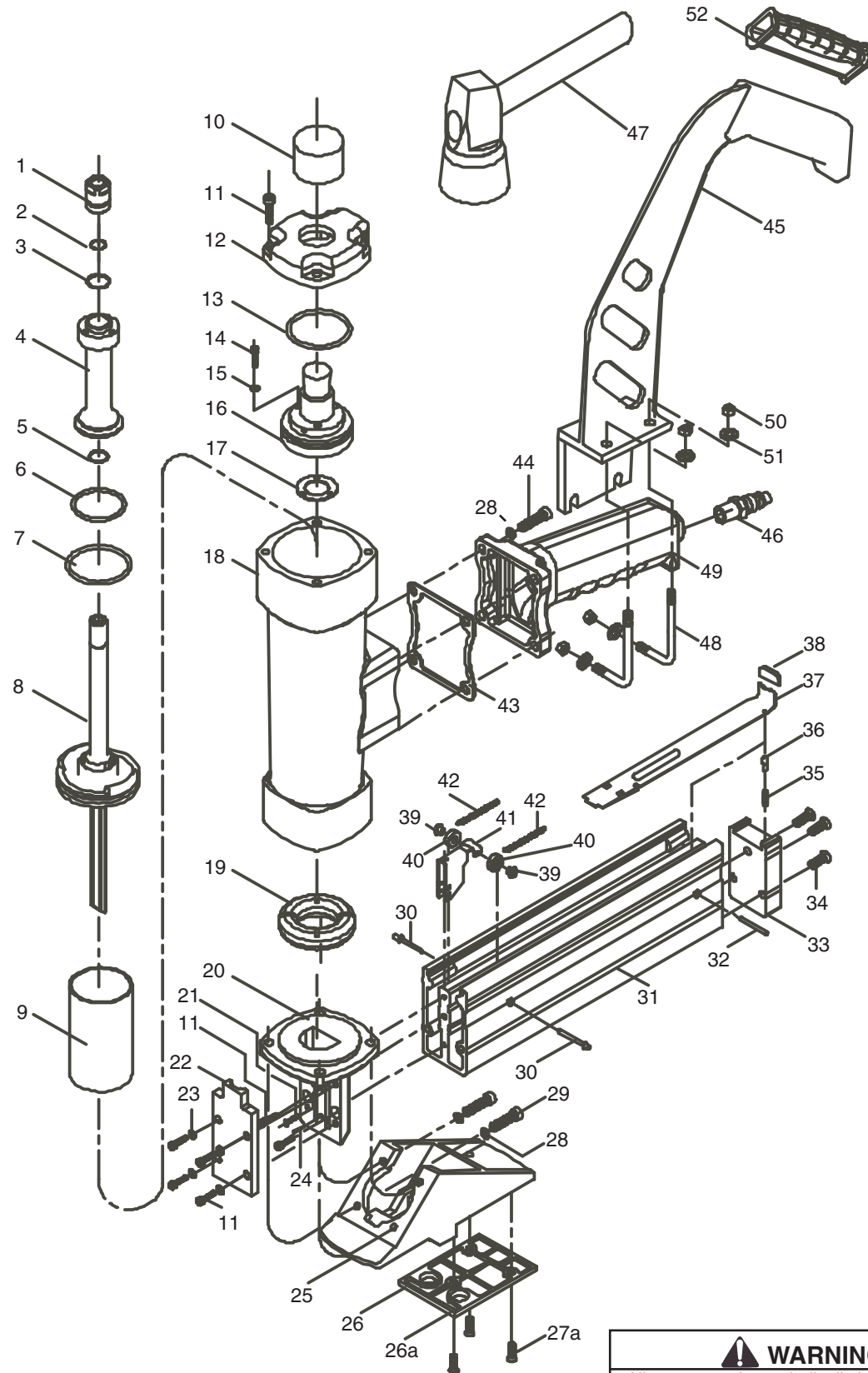


EXPLODED VIEW

FloorMaster 200-S
Flooring Stapler
#502210



WARNING
All parts must be periodically inspected and replaced if worn or broken. Failure to do this can affect the tool's operation and present a safety hazard.

PARTS LEGEND

FloorMaster 200-S #502210

| Key# | Part# | Description | Key# | Part# | Description |
|------|--------|------------------------------------|------|--------|------------------------|
| 1 | 501783 | Plunger | 27a | 501809 | Screw |
| 2 | 501784 | O-Ring | 28 | 501810 | Spring Washer |
| *3 | 501785 | O-Ring | 29 | 502114 | Screw |
| 4 | 501786 | Poppet | 30 | 501812 | Pin |
| *5 | 501787 | O-Ring | 31 | 501813 | Magazine |
| *6 | 501788 | O-Ring | 32 | 501814 | Spring Pin |
| *7 | 501789 | O-Ring | 33 | 501815 | Magazine Cap |
| 8 | 502108 | Piston Assembly | 34 | 501816 | Screw |
| 9 | 501791 | Cylinder Bushing | 35 | 501818 | Spring |
| 10 | 501792 | Hammer Face | 36 | 501819 | Lock Pin |
| 11 | 501793 | Screw | 37 | 501820 | Magazine Cover |
| 12 | 501794 | Cylinder Cap | 38 | 501821 | Finger Cushion |
| 13 | 501795 | O-Ring | 39 | 501822 | Bushing |
| *14 | 501796 | Screw | 40 | 501823 | Wheel |
| 15 | 501797 | Spring Washer | 41 | 501824 | Feeder Shoe |
| 16 | 501798 | Poppet Actuator | 42 | 501825 | Tension Spring |
| 17 | 501799 | Gasket | 43 | 501826 | Seal |
| 18 | 501800 | Body | 44 | 501827 | Screw |
| *19 | 501801 | Bumper | 45 | 502196 | Arm |
| 20 | 502109 | Nose | 46 | 501829 | Air Plug |
| 21 | 501803 | Screw | 47 | 219297 | Mallet (approx 2.7lbs) |
| *22 | 502110 | Blade Guide | 48 | 502197 | Clamp Screw |
| 23 | 501805 | Spring Washer | 49 | 502198 | Short Arm |
| 24 | 501806 | Spring Pin | 50 | 502199 | Washer |
| 25 | 502111 | Shoe | 51 | 502201 | Nut |
| 26 | 501808 | Spacer-installed for 3/4" flooring | 52 | 502252 | Soft Grip Sleeve |
| 26a | 501996 | Spacer-included for 1/2" flooring | | | |

* Denotes Normal Wear Items.

→ Denotes New Change

SAFETY INSTRUCTIONS

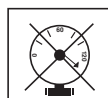
WEAR EYE AND HEARING PROTECTION



Always wear hearing protection and eye protection devices, including side shields when operating or working in the vicinity of a tool.



DO NOT EXCEED MAXIMUM RECOMMENDED AIR PRESSURE



Operate the tool using only the recommended air pressure. Do not exceed the maximum air pressure marked on the tool. Be sure the air pressure gauge is operating properly and check it at least twice a day.



Never use any bottled air or gases such as oxygen to operate the tool since they could cause the tool to explode.