



SERVICE PARTS LIST

BUL. 54-12-4014

7/8 ELECTRIC DRILL

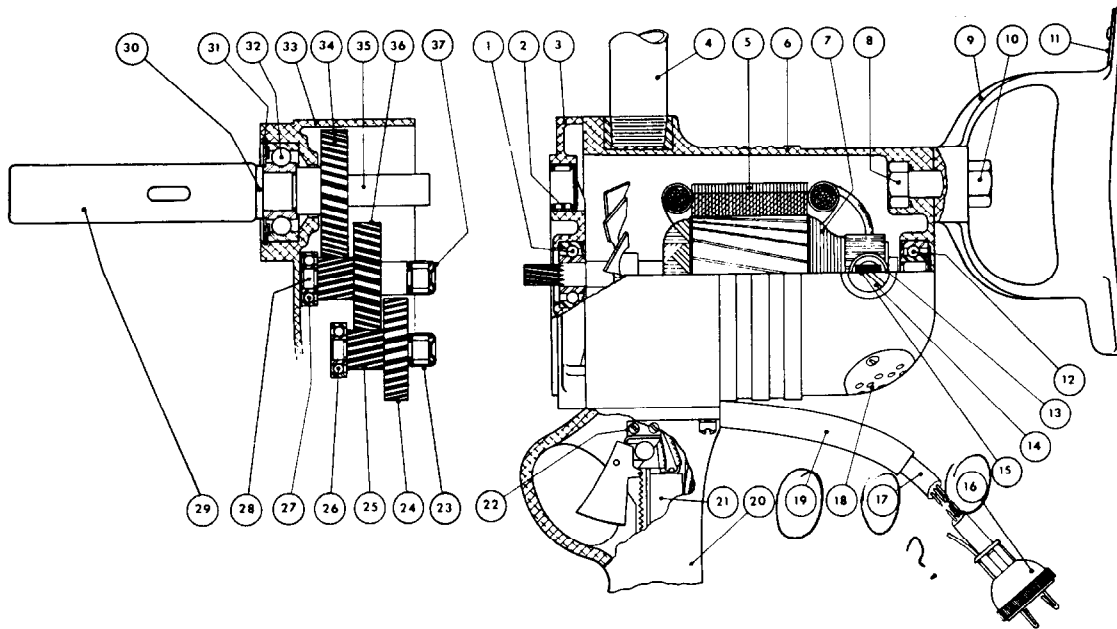
REVISED BUL. 668-5 DATE May '68

Catalog No. 2000

Starting Serial No. **68-2420**

WIRING INSTR. **58-01-0600**

Both Model and Serial No. must be furnished to obtain correct parts.



230V Motor
16-86-1350 Armature
18-86-1100 Field

ILLUSTRATED PARTS

FIG.	PART NO.	DESCRIPTION OF PART
1	02-04-1260	Ball Bearing
2	02-50-4040	Needle Bearing
3	28-28-0102	Diaphragm
4	43-62-0230	Pipe Handle
5	18-82-1110	Field Assembly
6	28-50-4761	Motor Housing
7	16-82-1430	Armature Assembly
8	06-75-0850	1/2"-13x1-1/2" Spade Handle Bolt (Hex.Hd.)
9	14-34-0100	Spade Handle (Incl. item 11)
10	06-55-2850	1/2"-13 Spade Handle Jam Nut
11	See item 9	Spade Handle Key Clip
12	02-04-1070	Ball Bearing
13	22-22-0100	Brush Holder Assembly
14	23-44-0081	Brush Retaining Screw Assembly
15	22-18-0115	Carbon Brush Assemblies
16	22-64-0080	Cord Set
18	44-66-0180	Air Intake Cover Plate
20	28-44-9241	Switch Handle

FIG.	PART NO.	DESCRIPTION OF PART
21	23-66-0190	Switch
22	42-36-0230	Switch Bracket
23	02-50-2450	Needle Bearing
24	32-40-1001	1st Inter. Gear
25	36-66-2601	1st Inter. Pinion Shaft
26	02-04-0910	Ball Bearing
27	02-04-0910	Ball Bearing
28	36-66-0501	2nd Inter. Pinion Shaft
29	49-66-0600	No. 2 Morse Taper Socket
30	45-88-0330	Chuck Washer
31	34-80-3450	Retaining Ring
32	02-04-1780	Ball Bearing
33	28-14-0401	Gear Case
(2)	34	32-75-1001 Spindle Gear
(2)	35	38-50-1201 Spindle
36	32-44-1181	2nd Intermediate Gear
37	02-50-2450	Needle Bearing

MISCELLANEOUS PARTS NOT SHOWN

PART NO.	DESCRIPTION OF PART
12-98-0900	Name Plate
48-86-0060	No. 2 Drift Pin
06-81-8650	6-32x1/4" Rd.Hd. Switch Mtg. Sems.
06-81-3400	6-32x1/4" Oval Hd. Switch Bracket Scs.
*06-81-8400	4-40x1/4 Rd.Hd.Sem Name Plate Scrs.
*06-81-8650	6-32x1/4 Rd.Hd.Sem Air Intake Plate Scrs.
06-81-7850	1/4"-20x1" Sems Fil.Hd.Gear Case Sems
06-81-7950	1/4"-20x1-3/4" Fil.Hd Gear Case Sems
06-81-8950	8-32x2-1/4" Fil. Hd. Field Sems
06-81-7900	1/4-20x1-1/2 Fil.Hd.Switch Handle Sems
48-03-0010	Attachment Plug Adaptor
06-83-2670	1/4-20x1/2" Hd'less Brush Holder Set Scs.
*06-97-1800	Switch Lock Washers

PART NO.	DESCRIPTION OF PART
06-81-8625	6-32x1/4" Rd.Hd.Sems Brass Ground Wire Scs.
06-42-1600	Woodruff Key
(2)	06-42-1200 Woodruff Key
(2)	48-66-1440 Chuck (5/8-16 Thread) 1/2" Cap.
(2)	48-66-1640 Chuck (5/8-16 Thread) 5/8" Cap.
(2)	48-66-2040 Chuck (5/8-16 Thread) 3/4" Cap.
(2)	48-66-3120 Chuck Key
(2)	48-66-3160 Chuck Key
(2)	06-42-2400 Woodruff Key
(4)	45-04-0100 Cord Retaining Screw
(2)	06-81-8650 6-32x1/4 Rd.Hd.Sems Spade Handle Key Clip Scs.
(4)	23-86-0130 Brush Holder Washer