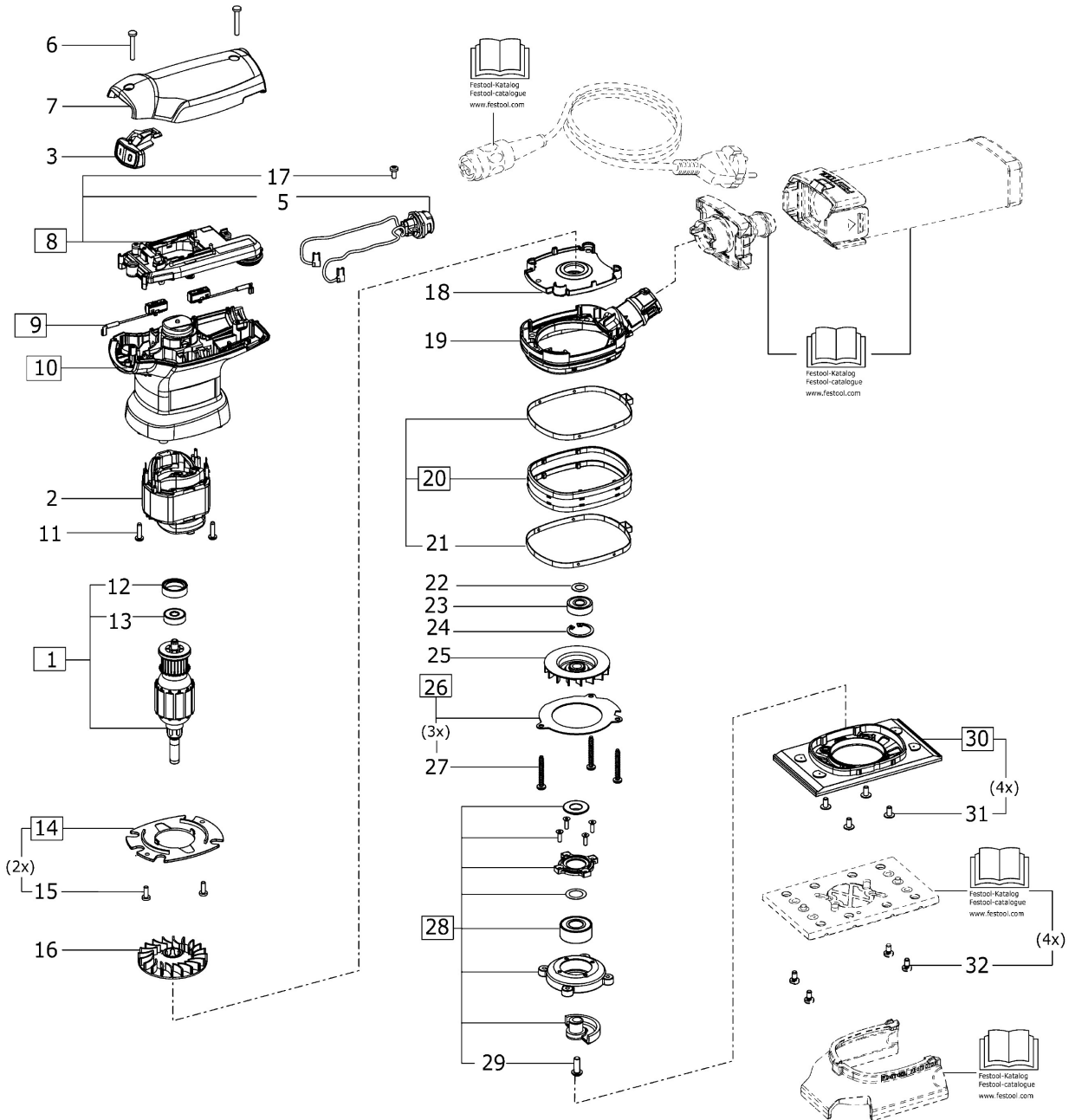


# 201411 - RTS 400 REQ



<b>Pos</b>	<b>Part No.</b>	<b>Description</b>	<b>Quantity</b>
1	201897	Armature	1
2	201899	Field assembly	1
3	10021901	Switching jack	1
5	708213	Socket housing	1
6	219068	Raised-head screw 3,5 x 25 mm	2
7	10021835	Cap	1
8	201901	Electronic	1
9	201903	Brush holder	1
10	202388	Housing	1
11	228584	Raised-head screw 3,5 x 14 mm	2
12	450508	Rubber ring	1
13	228672	Ball bearing	1
14	489522	Air guide washer	1
15	219031	Raised-head screw 3,5 x 10 mm	2
16	469328	Fan	1
17	219047	Raised-head screw 3,5 x 8 mm	1
18	10022448	insert	1
19	10019350	Bearing cover	1
20	489184	Collar	1
21	453707	Clamping strap	2
22	400884	Shim ring	1
23	401525	Ball bearing	1
24	204471	Snap ring	1
25	10028628	Aspirator	1
26	489185	Plate	1
27	400528	Raised-head screw 4,0 x 30 mm	3
28	201904	Bearing flange	1
29	401150	Raised-head screw	1
30	493720	Plate	1
31	401063	Cheese-head screw	4
32	400663	Raised-head screw M4 x 10	4