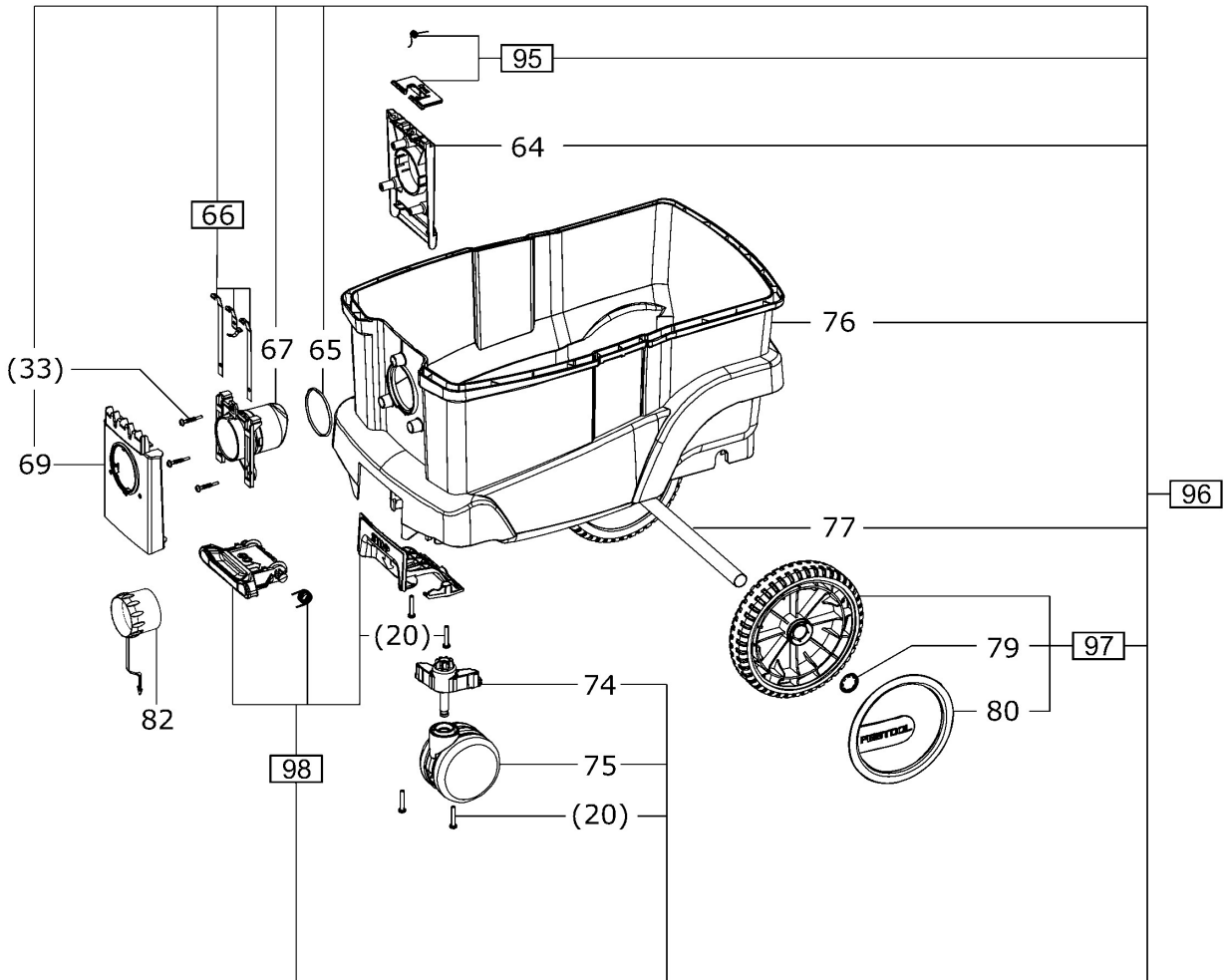
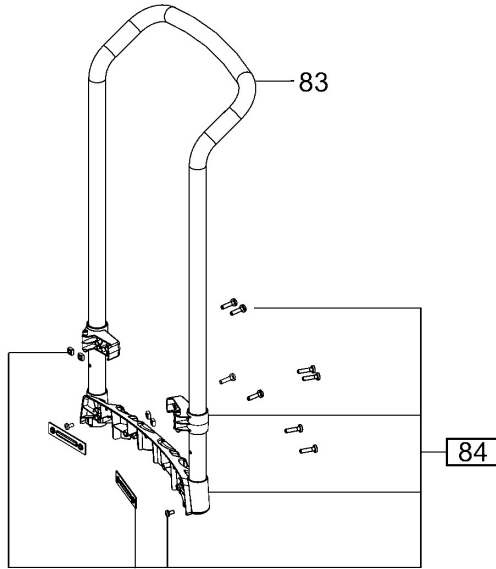
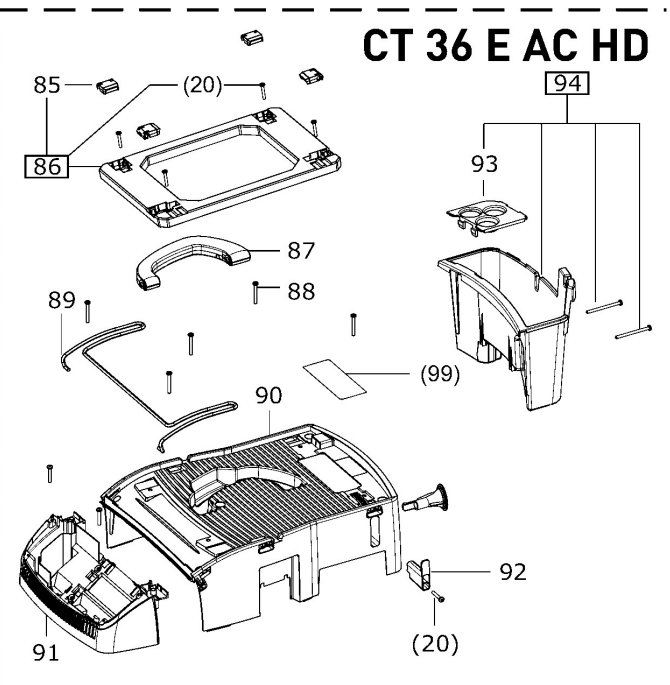
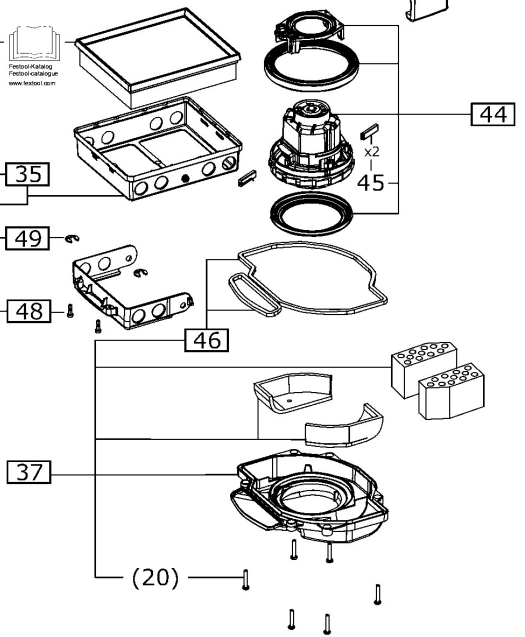
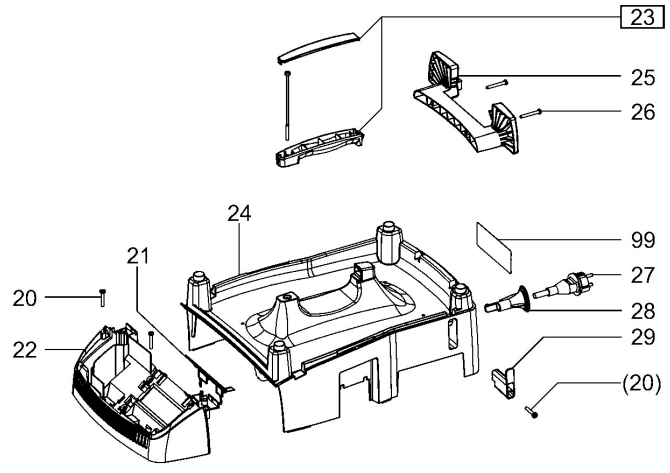
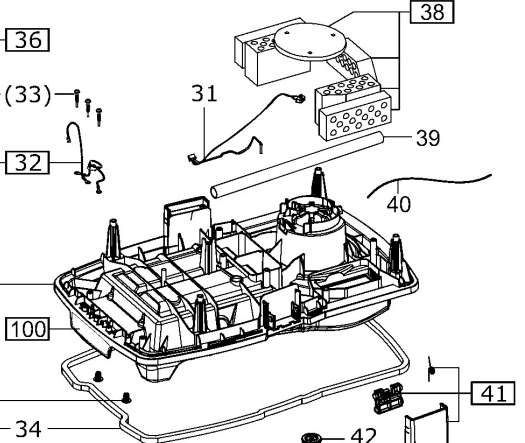
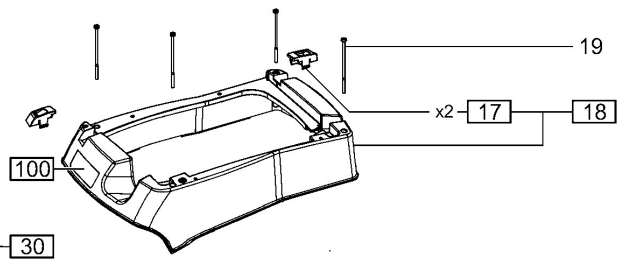
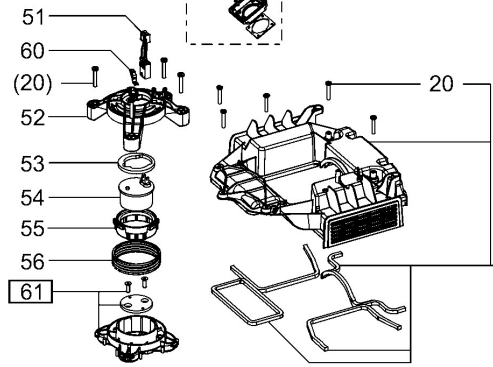
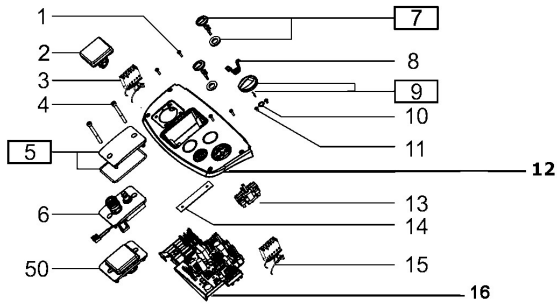
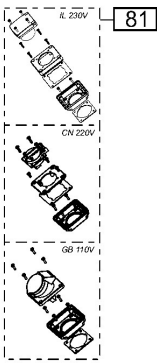


201494 - CT 26 E HEPA 120V R1





CT 36 E AC HD

Festool-Händler

 Festool-Vertrieb

 www.festool.com

| Pos | Part No. | Description | Quantity |
|------------|-----------------|-------------------------------|-----------------|
| 1 | 452450 | Raised-head screw 3,5 x 14 mm | 4 |
| 2 | 704570 | Socket USA | 1 |
| 3 | 499491 | Cable harness | 1 |
| 4 | 476004 | Cheese head screw | 2 |
| 5 | 496234 | Cover | 1 |
| 7 | 496249 | Rotary knob CT/CTL/CTM/CTH | 1 |
| 7 | 496249 | Rotary knob CT/CTL/CTM/CTH | 2 |
| 9 | 496247 | Rotary knob auto/man/off | 1 |
| 10 | 452051 | O-ring | 1 |
| 11 | 452452 | Flat head screw M4 x 8 | 2 |
| 12 | 496297 | Screen CTL | 1 |
| 13 | 496246 | Switch | 1 |
| 14 | 200599 | Board segment | 3 |
| 15 | 200628 | Cable harness | 1 |
| 16 | 202317 | Electronic 120V | 1 |
| 17 | 496236 | Clamp | 1 |
| 18 | 204040 | Hood | 1 |
| 19 | 474911 | Cheese head screw | 5 |
| 20 | 452447 | Raised-head screw 5,0 x 30 mm | 20 |
| 21 | 200657 | | 1 |
| 22 | 496238 | Housing insert | 1 |
| 23 | 496244 | Grip | 1 |
| 24 | 496243 | Housing | 1 |
| 25 | 203722 | Cable holder | 1 |
| 26 | 476795 | Raised-head screw | 2 |
| 27 | 200857 | Cable with plug | 1 |
| 28 | 200590 | Inlet bush | 1 |
| 29 | 200586 | Cable clamp | 1 |
| 30 | 496250 | Suction hood | 1 |
| 31 | 496252 | Cable harness CT/CTL | 1 |
| 32 | 496773 | Flexible lead pack AUS / USA | 1 |
| 33 | 467456 | Raised-head screw | 6 |
| 34 | 201007 | Container seal | 1 |
| 35 | 496255 | Filter holder | 1 |
| 36 | 201875 | Filter housing | 1 |
| 38 | 496258 | Noise insulation | 1 |
| 39 | 200584 | Cable bushing | 1 |
| 40 | 200822 | Cable harness | 1 |
| 41 | 496262 | Clamp | 2 |
| 44 | 496270 | Turbine 120V | 1 |
| 45 | 496269 | Carbon set 100-120V | 1 |
| 46 | 496256 | Seal kit | 1 |
| 51 | 200889 | Cable harness | 1 |
| 52 | 200855 | Holder | 1 |
| 52 | 200887 | Holder | 1 |
| 53 | 200854 | Dampening ring | 1 |
| 54 | 200874 | Solenoid | 1 |
| 55 | 200853 | Magnetic holder | 1 |
| 55 | xxx | No longer available | 1 |

| | | | |
|-----|----------|-------------------------------|---|
| 56 | 201004 | Spring | 1 |
| 60 | 200528 | Spring plate | 1 |
| 61 | 498828 | Valve collar | 1 |
| 64 | 200591 | Holder | 1 |
| 65 | 200574 | Gasket | 1 |
| 66 | 496221 | Contact | 1 |
| 67 | 200568 | Sleeve | 1 |
| 69 | 496223 | Screen CT26 | 1 |
| 74 | 200593 | Support Support | 2 |
| 75 | 452840 | Roller | 2 |
| 76 | 496233 | Container CT26 | 1 |
| 77 | 200571 | Pipe | 1 |
| 79 | 202484 | Tooth ring | 2 |
| 80 | 200570 | Wheel cover | 2 |
| 82 | --- | See catalogue | 1 |
| 83 | --- | See catalogue | 1 |
| 84 | 500252 | Assembly set | 1 |
| 85 | 200873 | Locking latch | 4 |
| 86 | --- | See catalogue | 1 |
| 87 | 500318 | Grip | 1 |
| 88 | 452449 | Raised-head screw 5,0 x 40 mm | 6 |
| 89 | 35000546 | Bracket | 1 |
| 90 | 500320 | Housing | 1 |
| 91 | 500319 | Housing insert | 1 |
| 92 | 201023 | Cable clamp | 1 |
| 93 | 500321 | Container | 1 |
| 94 | 35000553 | Container | 1 |
| 95 | 500314 | Bracket | 1 |
| 96 | 500315 | Container | 1 |
| 96 | 500327 | Container | 1 |
| 96 | 500328 | Container | 1 |
| 97 | 500316 | Wheel | 1 |
| 98 | 500317 | Pedal | 1 |
| 99 | 700346 | Warning plate | 1 |
| 100 | 717485 | Nameplate | 1 |