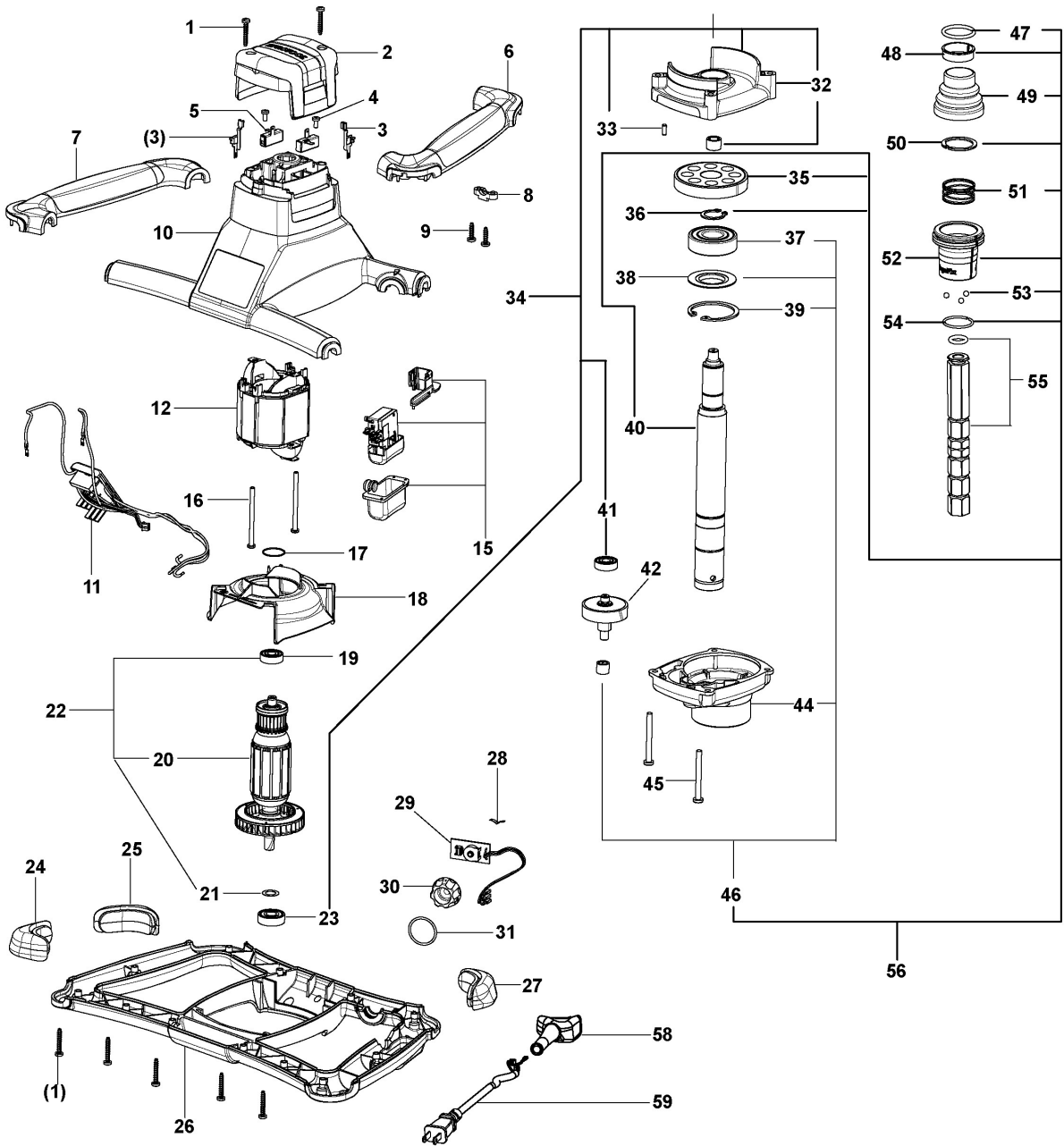


202457 - MX 1200 E EF



Pos	Part No.	Description	Quantity
1	614772	Screw 4,0 x 25 mm	14
2	768554	Cover	1
3	443331	Plug-in bracket	2
4	625071	Screw	2
5	627016	Brush; set 2 pcs.; 110 V	1
6	768557	Pistol stock	1
7	768558	Pistol stock	1
8	619112	Clip	1
9	625697	Screw 4 x 16 mm	2
10	768552	Motor housing	1
11	10017761	Electronic	1
12	708768	Field assembly	1
15	203136	Switch	1
16	614776	Screw 4,0 x 60 mm	2
17	479012	O-ring	1
18	763759	Air duct	1
19	400225	Ball bearing	1
20	708767	Armature	1
21	761527	Washer	2
22	202934	Armature	1
23	763543	Bearing	1
24	768585	Shock absorber	1
25	768586	Shock absorber	1
26	768556	Handle	1
27	768553	Shock absorber	1
28	457753	Plate spring	1
29	10035932	Module	1
30	768587	Scale ring	1
31	614981	O-ring	1
32	768877	Bearing cover	1
33	614988	Pin	1
34	769417	Bearing cover, cpl.	1
35	764147	Spindle wheel	1
36	615480	Snap ring	1
37	614999	Bearing	1
38	592444	Cover	1
39	614804	Snap ring	1
40	764174	Output shaft	1
41	763547	Bearing	1
42	764146	Gear shaft	1
44	768589	Gear housing	1
45	764120	Screw	4
46	769404	Gear housing	1
47	401162	O-ring	1
48	10001347	Sliding sleeve	1
49	764180	Sealing lip	1
50	764184	Snap ring	1
51	10000545	Spring	1
52	768594	Ring	1

53	614486	Ball	3
54	625048	Lock washer	1
55	767496	Adapter	1
56	769416	Gear housing	1
58	768207	Cable conduit	1
59	709921	Mains cable	1
63	10179563	O-ring	1
70	10179564	O-ring	1