



SERVICE PARTS LIST

BULLETIN NO.
54-06-2107

SPECIFY CATALOG NO. AND SERIAL NO. WHEN ORDERING PARTS		REVISED BULLETIN	DATE
ALKALINE FLASH LIGHT			June 2018
CATALOG NO.	2107	WIRING INSTRUCTION	
	STARTING SERIAL NO.		

EXAMPLE:
Component Parts (Small #) Are Included
When Ordering The Assembly (Large #).

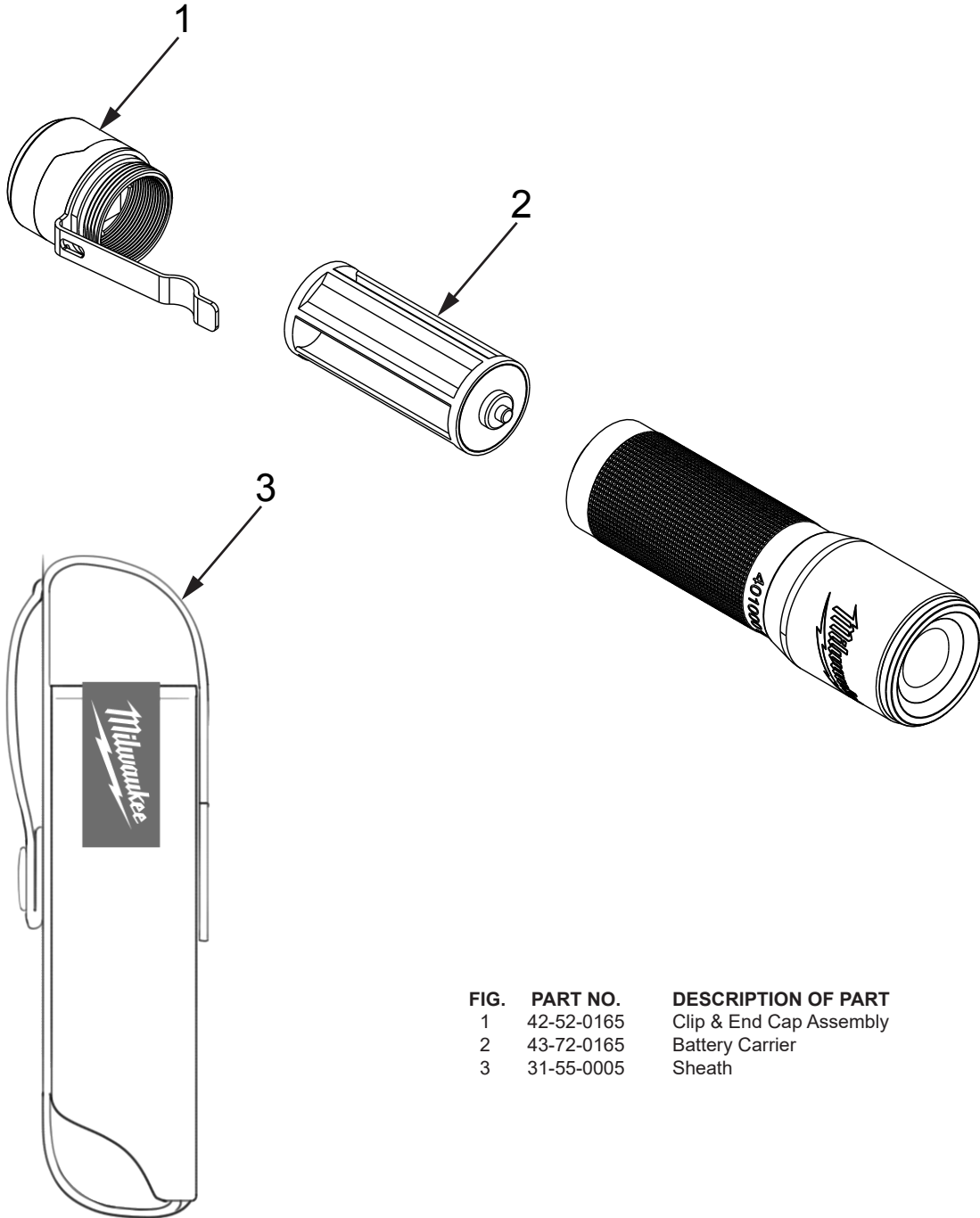


FIG.	PART NO.	DESCRIPTION OF PART	NO. REQ.
1	42-52-0165	Clip & End Cap Assembly	(1)
2	43-72-0165	Battery Carrier	(1)
3	31-55-0005	Sheath	(1)