

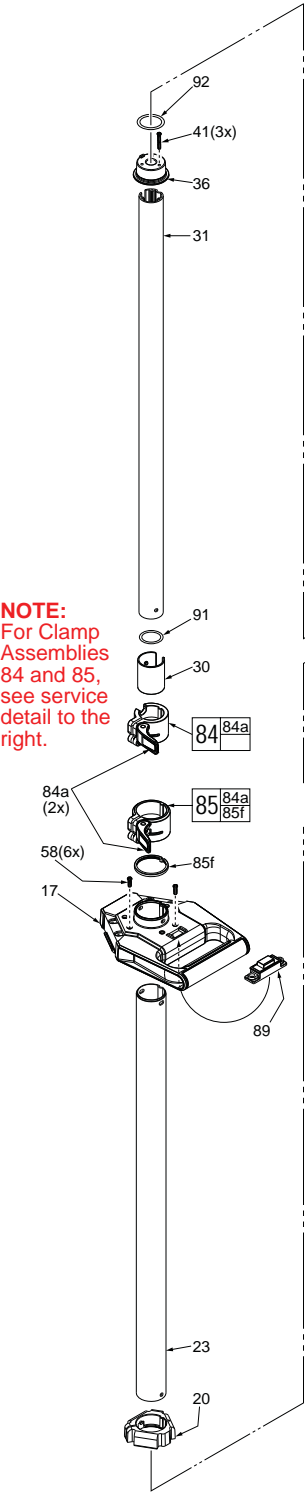


# SERVICE PARTS LIST

BULLETIN NO.  
54-06-2130

SPECIFY CATALOG NO. AND SERIAL NO. WHEN ORDERING PARTS		REVISED BULLETIN	DATE
CORDLESS M18™ LED STAND LIGHT			Dec. 2015
CATALOG NO.	2130-20	STARTING SERIAL NO.	G96A
		WIRING INSTRUCTION	

**EXAMPLE:**  
Component Parts (Small #)  
Are Included When Ordering  
The Assembly (Large #).



**NOTE:**  
For Clamp  
Assemblies  
84 and 85,  
see service  
detail to the  
right.

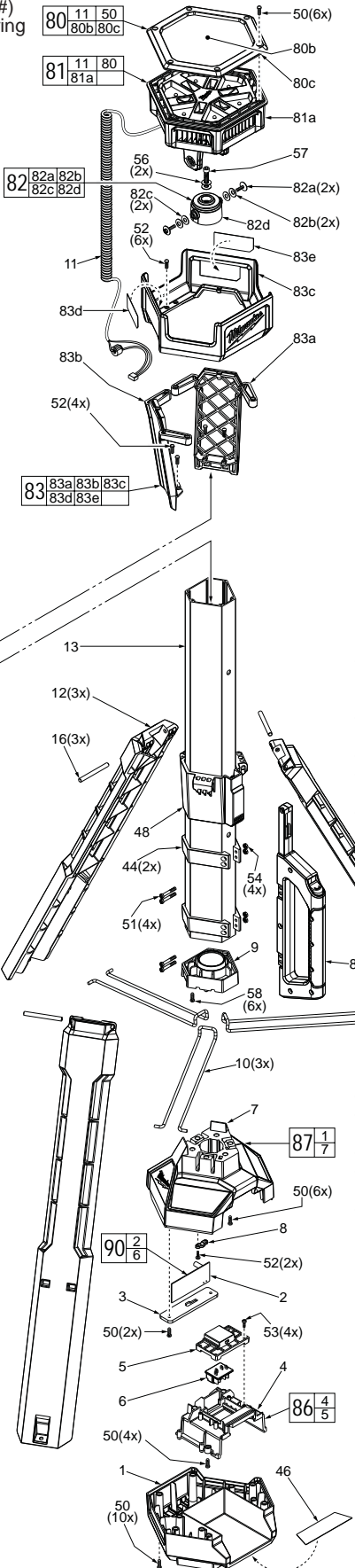


FIG.	PART NO.	DESCRIPTION OF PART	NO. REQ.
1	-----	Electronics Housing - Lower	(1)
2	-----	PCBA	(1)
3	-----	PCBA Retaining Plate	(1)
4	-----	Battery Connector Housing - Lower	(1)
5	-----	Battery Connector Housing - Upper	(1)
6	-----	Battery Connector	(1)
7	-----	Electronics Housing - Upper	(1)
8	31-17-0021	Cord Clamp	(1)
9	31-12-0027	Main Support Tube Lower Cap	(1)
10	44-14-0240	Wire Leg Linkage	(3)
11	-----	Power Cord with Ferrite Bead	(1)
12	44-04-0105	Support Leg	(3)
13	42-78-0200	Main Support Column	(1)
16	44-60-1655	Leg Support Pin	(3)
17	43-62-0395	Switch Handle Support (less switch)	(1)
20	45-60-0045	Large Tube Base Support	(1)
23	45-76-0115	Large Tube	(1)
30	42-40-0005	Small Tube Slide Bushing	(1)
31	45-76-0125	Small Tube	(1)
36	42-52-0007	LED Mounting Cap Support with Nut	(1)
41	06-82-0069	M3.0 x 30 Pan Hd. ST T-10 Screw	(3)
44	45-56-0110	Sliding Handle Guide Strap	(2)
46	12-20-2130	Service Nameplate	(1)
48	42-36-0027	M18™ Leg Support Bracket	(1)
50	06-82-0019	3.5 x 14 Pan Hd. ST T-15 Screw	(28)
51	06-82-0059	M4.0 x 27.5 Pan Hd. T-20 Machine Screw	(4)
52	06-82-0039	M3.5 x 12 Pan Hd. ST T-15 Screw	(12)
53	06-82-0049	3.0 x 12 Pan Hd. ST T-10 Screw	(4)
54	44-40-0485	M4 Nut	(4)
56	45-88-0202	Washer	(3)
57	06-75-0006	M6 Hex Socket Machine Screw	(1)
58	06-82-0029	3.5 x 20 Pan Hd. ST T-15 Screw	(12)
80	44-06-0102	Lens Cover Assembly	(1)
80b	-----	LED Lens Cover	(1)
80c	-----	LED Lens	(1)
81	23-26-0200	LED Light Assembly w/ Power Cord and Grommet	(1)
81a	-----	LED Light Assembly	(1)
82	42-52-0505	LED Mounting Cap w/ Washers and Screws	(1)
82a	-----	PH2 Round Head Washer Screw	(2)
82b	-----	Spring Washer	(2)
82c	-----	Washer	(2)
82d	-----	Mounting Cap	(1)
83	31-55-0075	LED Shroud Assembly	(1)
83a	-----	Shroud Support - Right	(1)
83b	-----	Shroud Support - Left	(1)
83c	-----	LED Shroud	(1)
83d	10-20-1018	Warning Label - Left	(1)
83e	10-20-1019	Warning Label - Right	(1)
84	31-17-0045	Small Tube Clamp Assembly	(1)
84a	44-10-0680	Clamp Lever	(2)
85	31-17-0015	Large Tube Clamp Assembly	(1)
85f	43-44-0385	Gasket	(1)
86	43-76-0010	Battery Connector Housing Kit	(1)
87	43-76-0015	Electronics Housing Kit	(1)
88	31-44-0347	Sliding Handle Assembly	(1)
89	23-66-0063	Switch Box Assembly	(1)
90	14-20-2130	Electronics Assembly with Ferrite Bead	(1)
91	34-40-0355	O-Ring	(1)
92	34-40-0357	O-Ring	(1)

