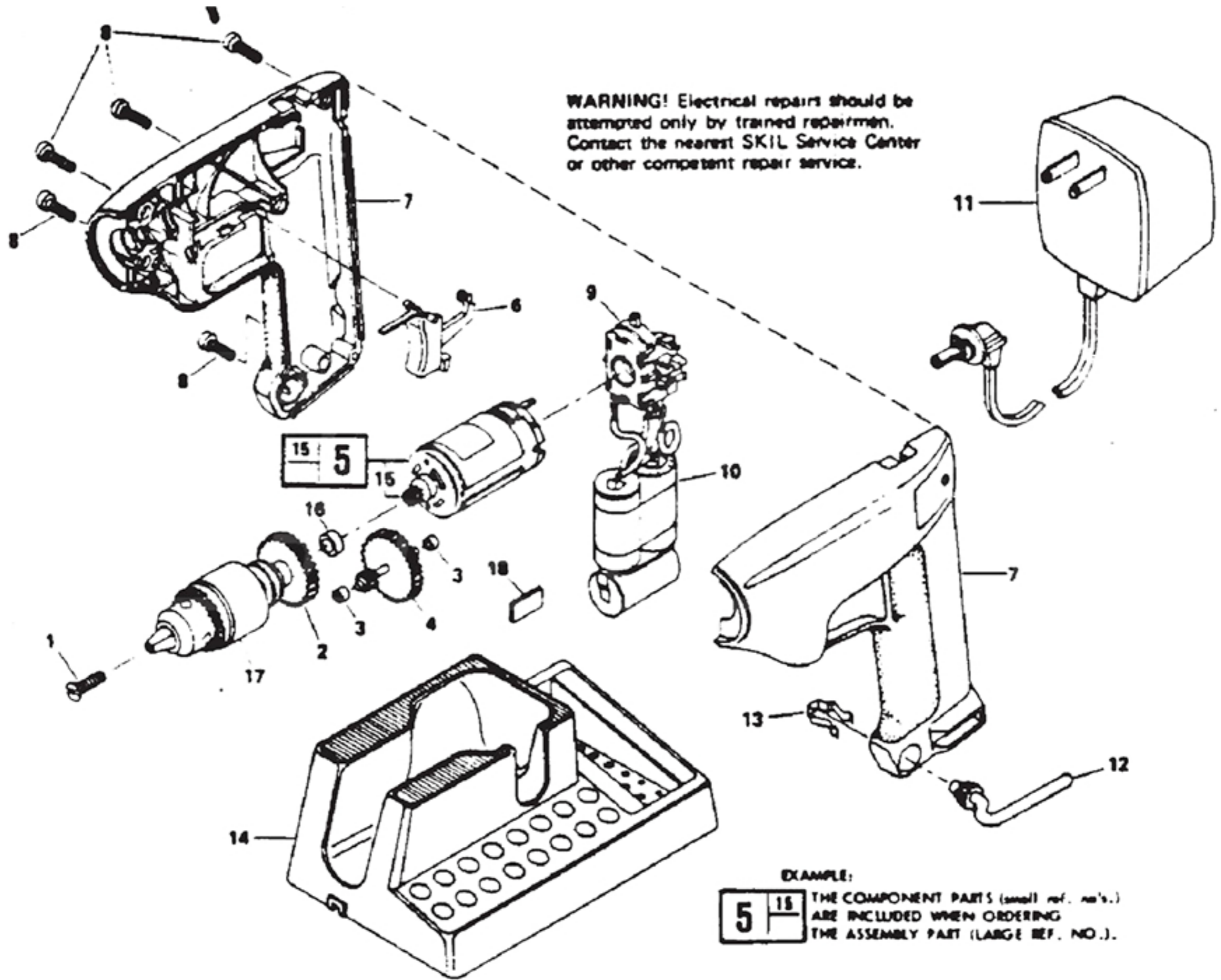


WARNING! Electrical repairs should be attempted only by trained repairmen. Contact the nearest SKIL Service Center or other competent repair service.



EXAMPLE:

5 | 15

THE COMPONENT PARTS (small ref. no's.) ARE INCLUDED WHEN ORDERING THE ASSEMBLY PART (LARGE REF. NO.).