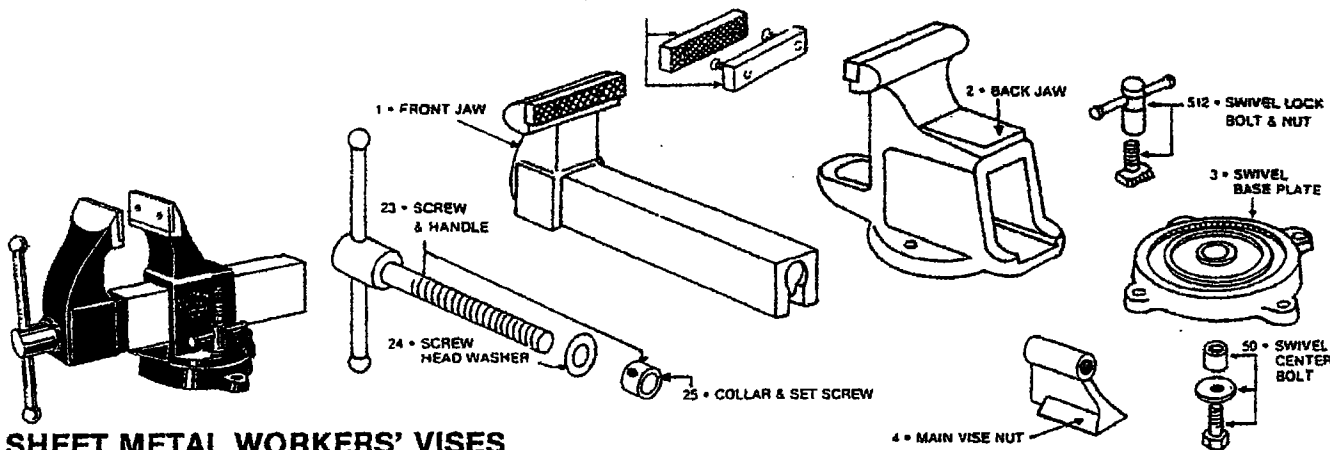


40 • JAW FACES & SCREWS (Part)

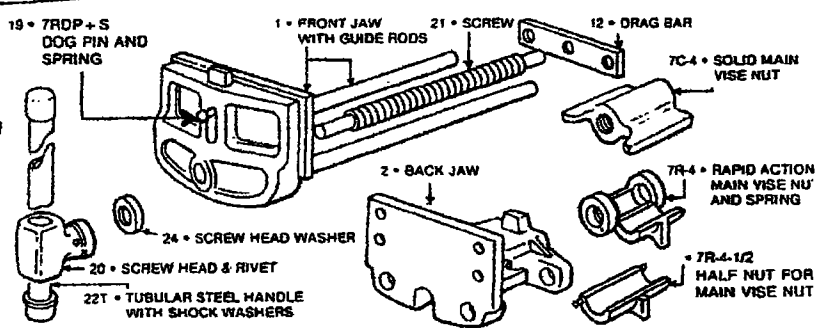


SHEET METAL WORKERS' VISES

DESCRIPTION	224-1/2		224-1/2M2	
	PART #	ITEM #	PART #	ITEM #
FRONT JAW			224 1/2-1	10504-01
BACK JAW			224 1/2-	10504-02
MAIN VISE NUT	41	10103-44	41	10103-44
SCREW & HANDLE	224 1/2-23	10504-23	224 1/2-23	10504-23
SCREW HEAD WASHER	504-24	10103-24	504-24	10103-24
COLLAR & SET SCREW	504-25	10103-25	504-25	10103-25
PAIR JAW FACES, FLAT	224 1/2-41	10504-41	224 1/2-41	10504-41
SWIVEL BASE PLATE			604-1/2-3	10204-03
SWIVEL CENTER BOLT			604-50	10203-50
SWIVEL LOCK BOLT & NUT			604-512	10203-51

Per Bob Ettinger - All parts NLA
Per Haven @ Cleveland - last production was ~ 5 yrs ago

RAPID ACTING OR SOLID NUT CONTINUOUS SCREW WOODWORKERS' VISES



DESCRIPTION	6CM2		6CDM2		7CD		V7CD		V7RD	
	PART #	ITEM #	PART #	ITEM #	PART #	ITEM #	PART #	ITEM #	PART #	ITEM #
FRONT JAW	6CM2-1	12202-01	6CD-1	12202-01	7RD-1	11801-01	V7-1	12102-01	V7-1	12102-01
BACK JAW	6CM2-2	12202-02	6CD-2	12201-02	7R-2	11801-02	V7-2	12102-02	V7-2	12102-02
MAIN VISE NUT	6CM2-4A	12202-04			7C-4	11901-04	7C-4	11901-04	7R-4	11801-04
HALF NUT FOR MAIN VISE NUT									7R-4-1/2	11801-14
SCREW	6CM2-23	12202-23	6CDM2-23	12201-23	7C-21	11901-21	7C-21	11901-21	7R-21	11801-21
SCREW HEAD & RIVET					7R-20	11801-20	7R-20	11801-20	7R-20	11801-20
TUBULAR STEEL HANDLE					7R-22T	11801-22	7R-22T	11801-22	7R-22T	11801-22
DRAG BAR					7R-12	11801-12	7R-12	11801-12	7R-12	11801-12
SCREW HEAD WASHER					7R-24	11801-24	7R-24	11801-24	7R-24	11801-24
DOG PIN & SPRING					7RDPS	11801-19	7RDPS	11801-19	7RDPS	11801-19

DESCRIPTION	10RD		10CD	
	PART #	ITEM #	PART #	ITEM #
FRONT JAW	10RD-1	11811-01	10RD-1	11811-01
BACK JAW	10R-2	11811-02	10R-2	11811-02
MAIN VISE NUT	7R-24	11801-04	7C-4	11901-04
HALF NUT FOR MAIN VISE NUT	7R4-1/2	11801-14		
VISE NUT				
SCREW	10R-21	11802-21	10C-21	11911-21
SCREW HEAD & RIVET	7R-20	11801-20	7R-20	11801-20
TUBULAR STEEL HANDLE	7R-22T	11801-22	7R-22T	11801-22
DRAG BAR	7R-12	11801-12	7R-12	11801-12
SCREW HEAD WASHER	7R-24	11801-24	7R-24	11801-24
DOG PIN & SPRING	7RDP-5	11801-19	7RDP-S	11801-19

7RD

11801-01 Front Jaw 7RD-1
 11801-02 Back Jaw 7RD-2
 11801-04 Main Vise Nut 7R-4
 11801-21 Screws 7R-21
 11801-20 Screw Hd + Rivet 7R-20
 11801-22 Tubular Steel Handle 7R-22T