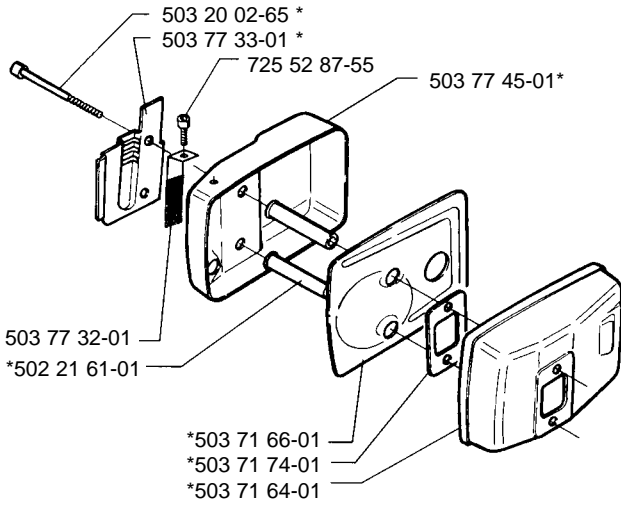
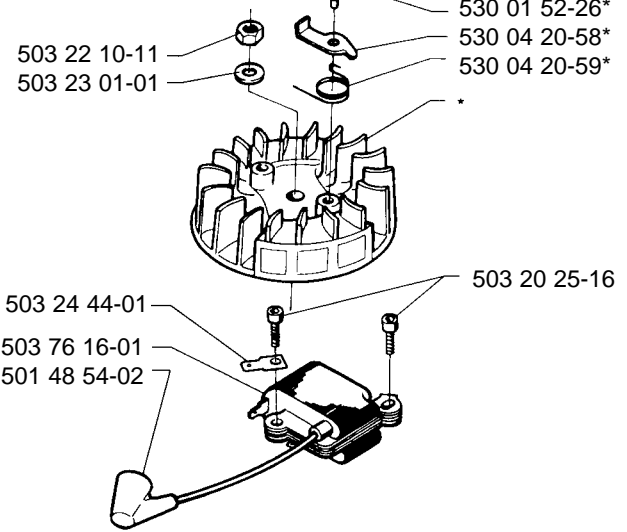


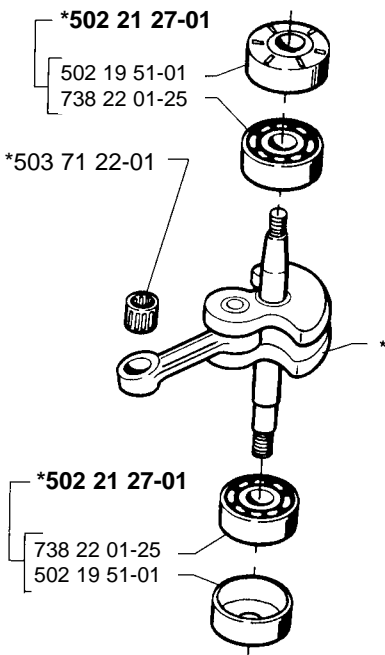
**A** \*compl 503 77 30-01  
compl 503 77 30-02 (FF)



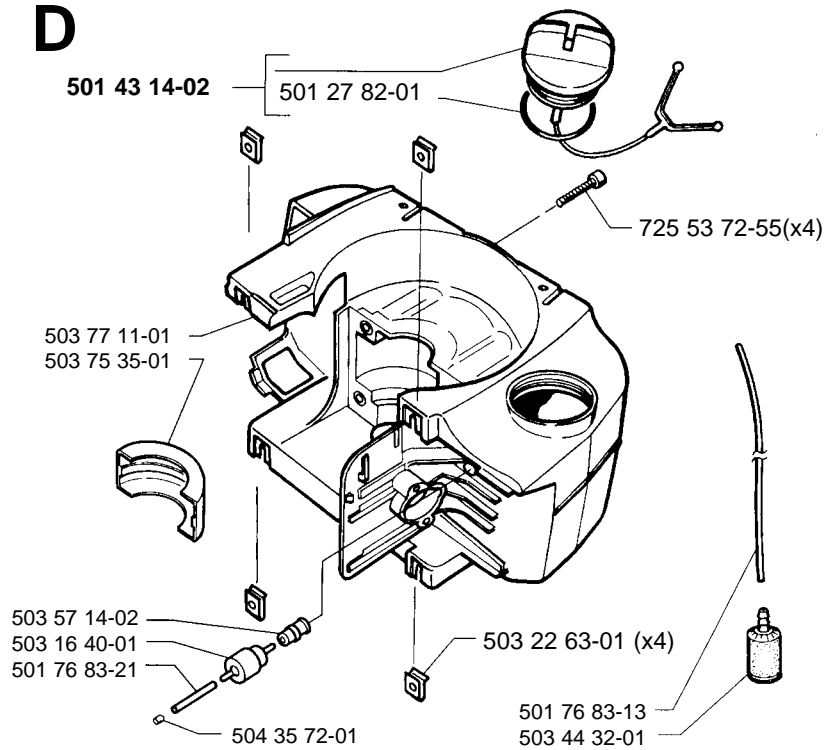
**B** \*compl 502 19 59-01



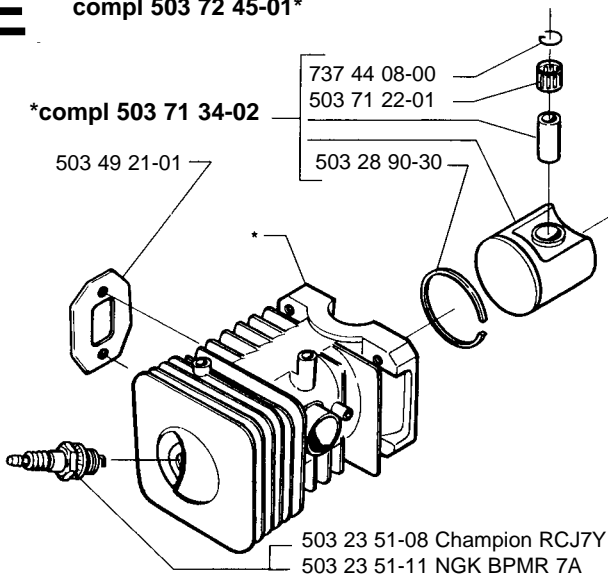
**C** \*compl 503 72 44-02



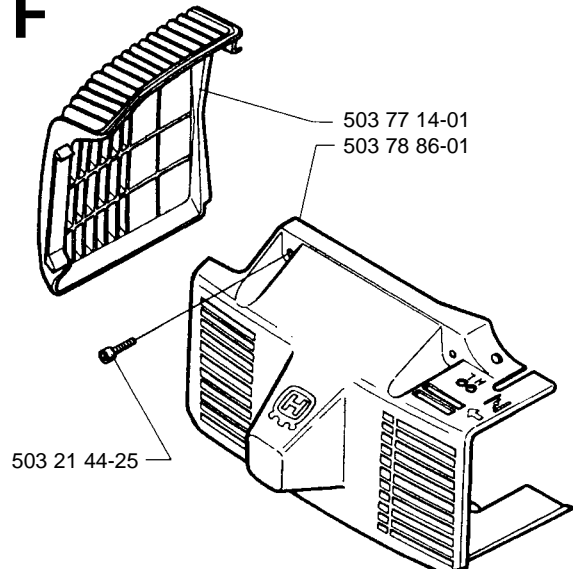
**D**

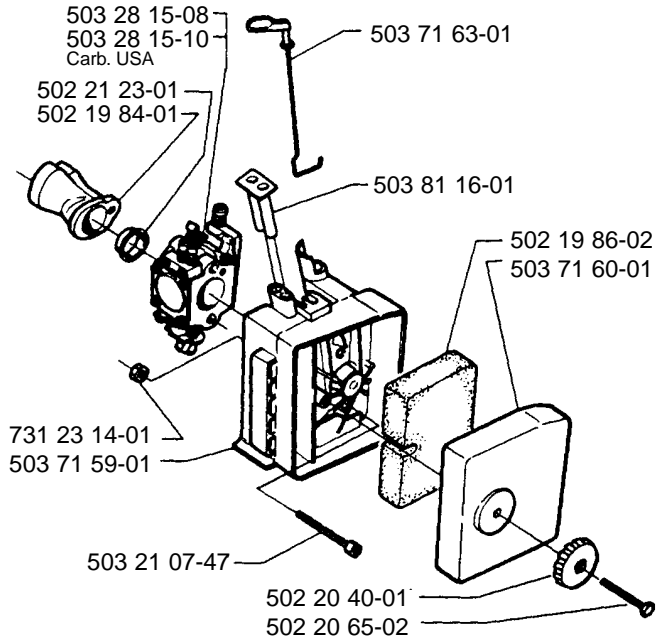
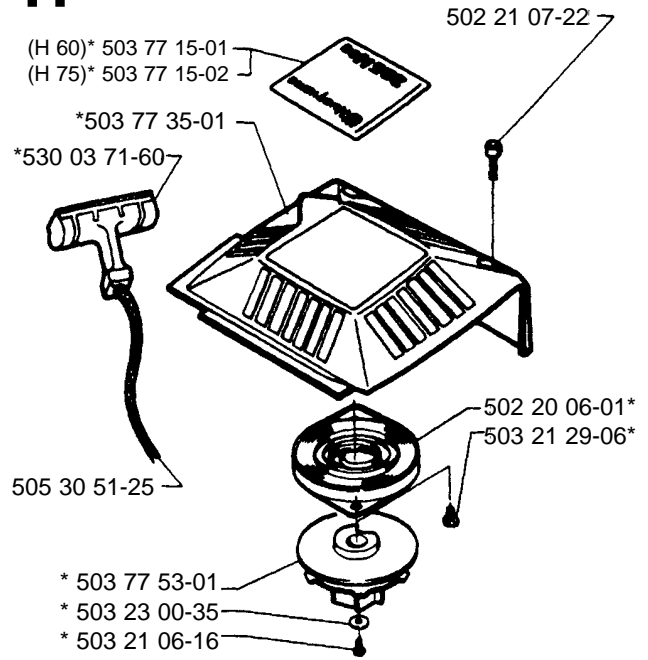
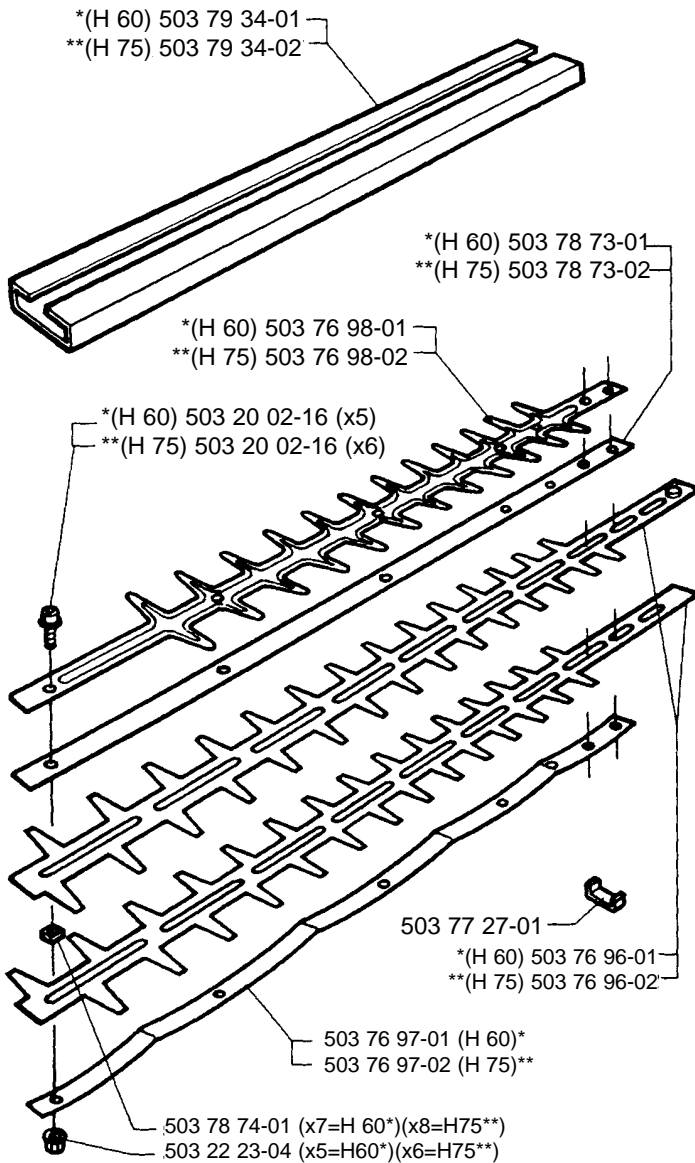
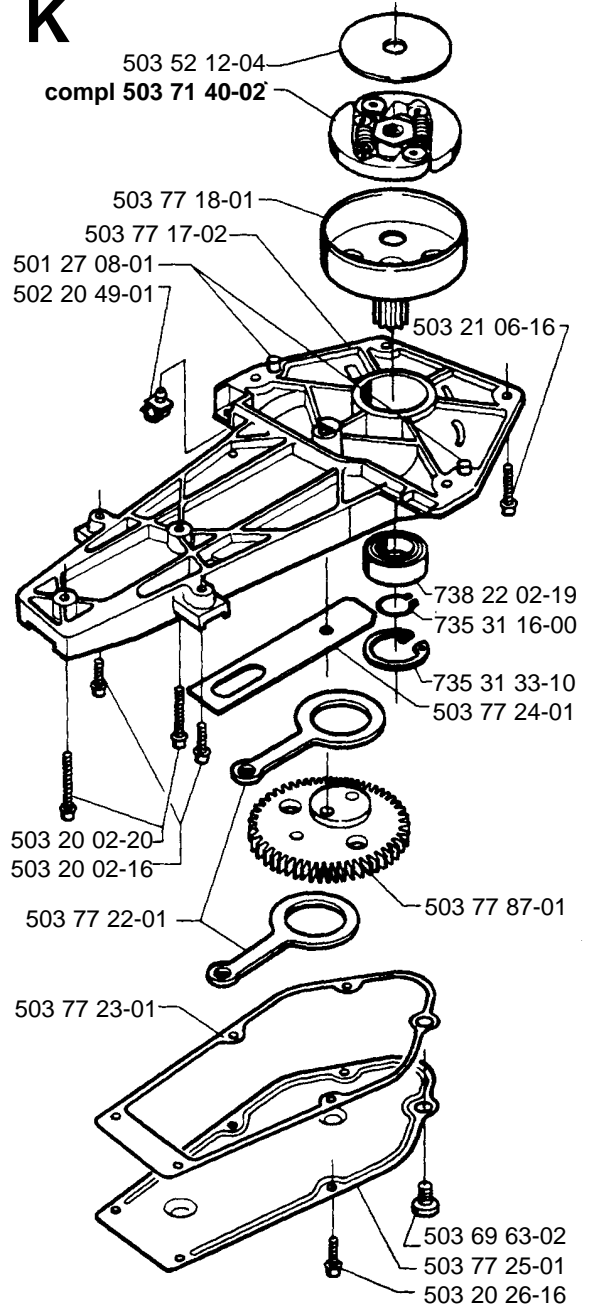


**E** compl 503 72 45-01\*

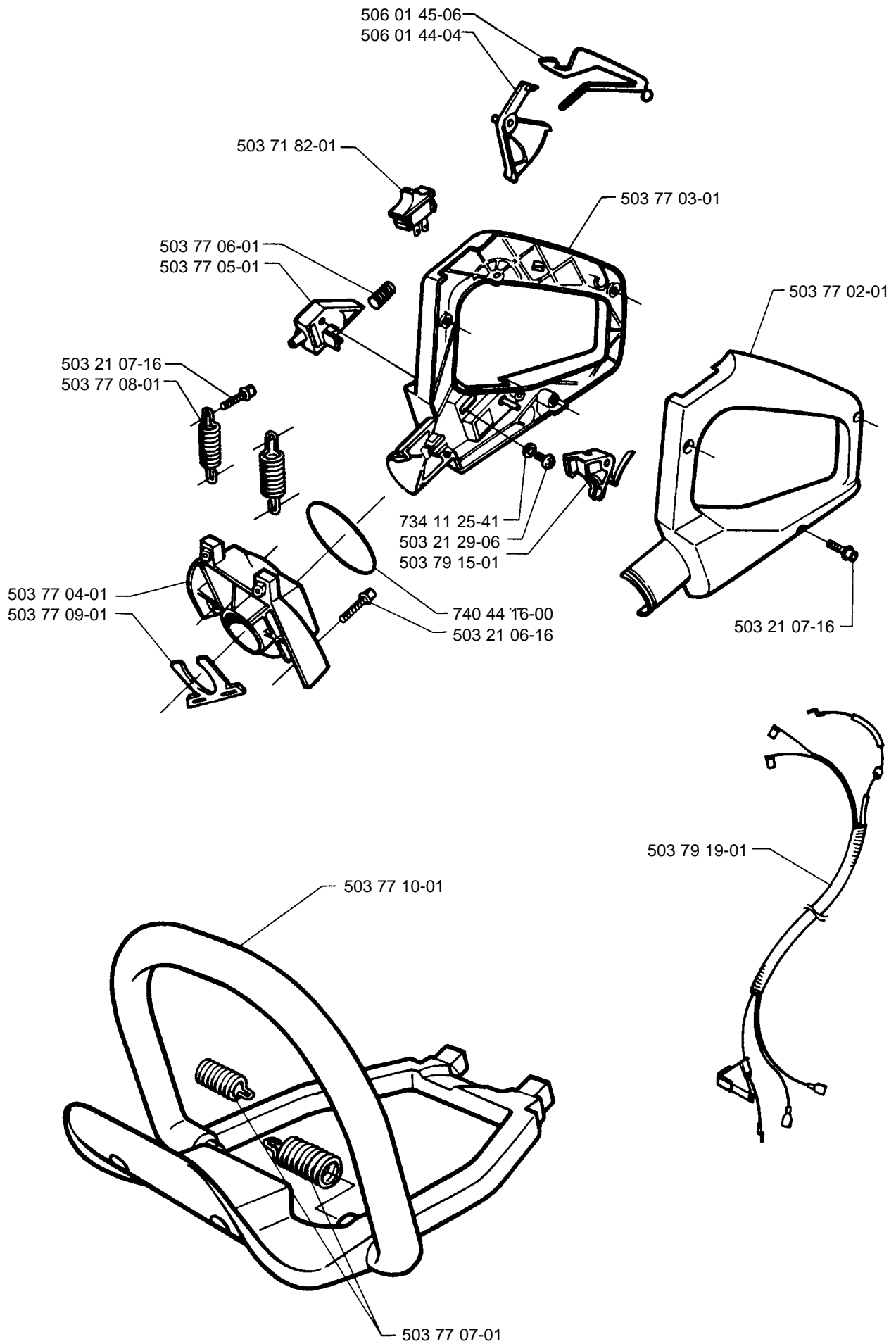


**F**



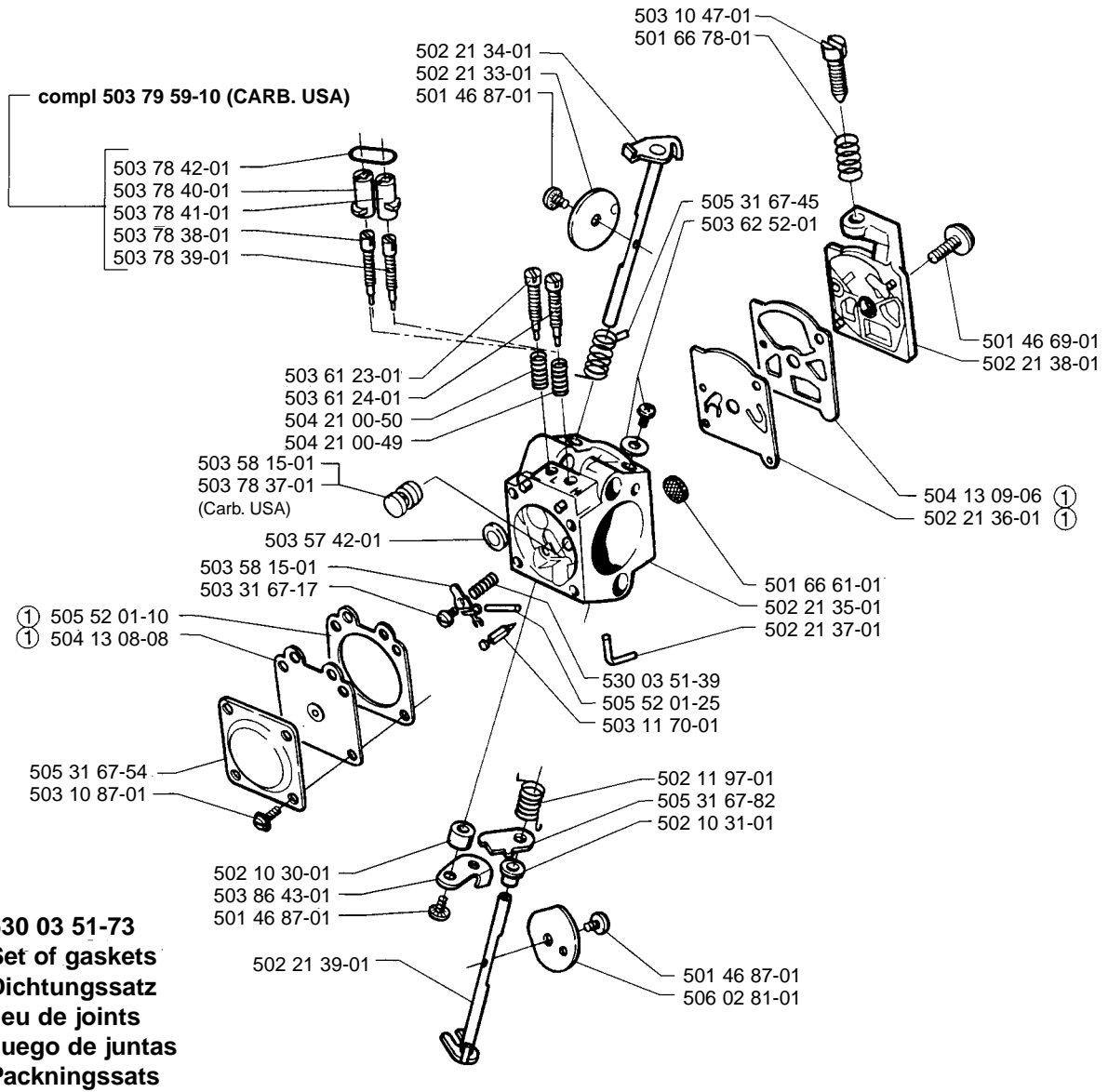
**G****H** \*compl 503 77 34-01**J**\*compl 503 79 38-01 (H 60)  
\*compl 503 79 38-02 (H 75)**K**

L



# M

compl 503 28 15-08 Walbro WT 406  
 compl 503 28 15-10 Walbro WT 421 (CARB. USA)



# N

Accessories  
 Zubehore  
 Accessoires  
 Accesorios  
 Tillbehör

compl 502 21 60-09

