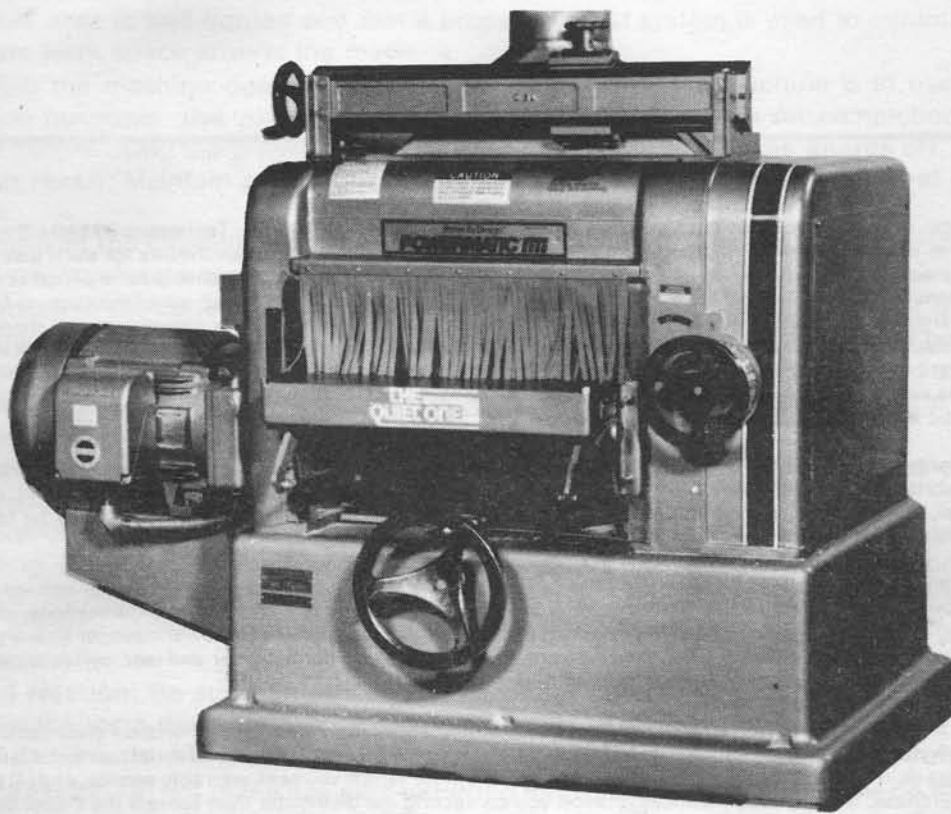


Model 225  
24" (610mm) Planer

Price \$2.50

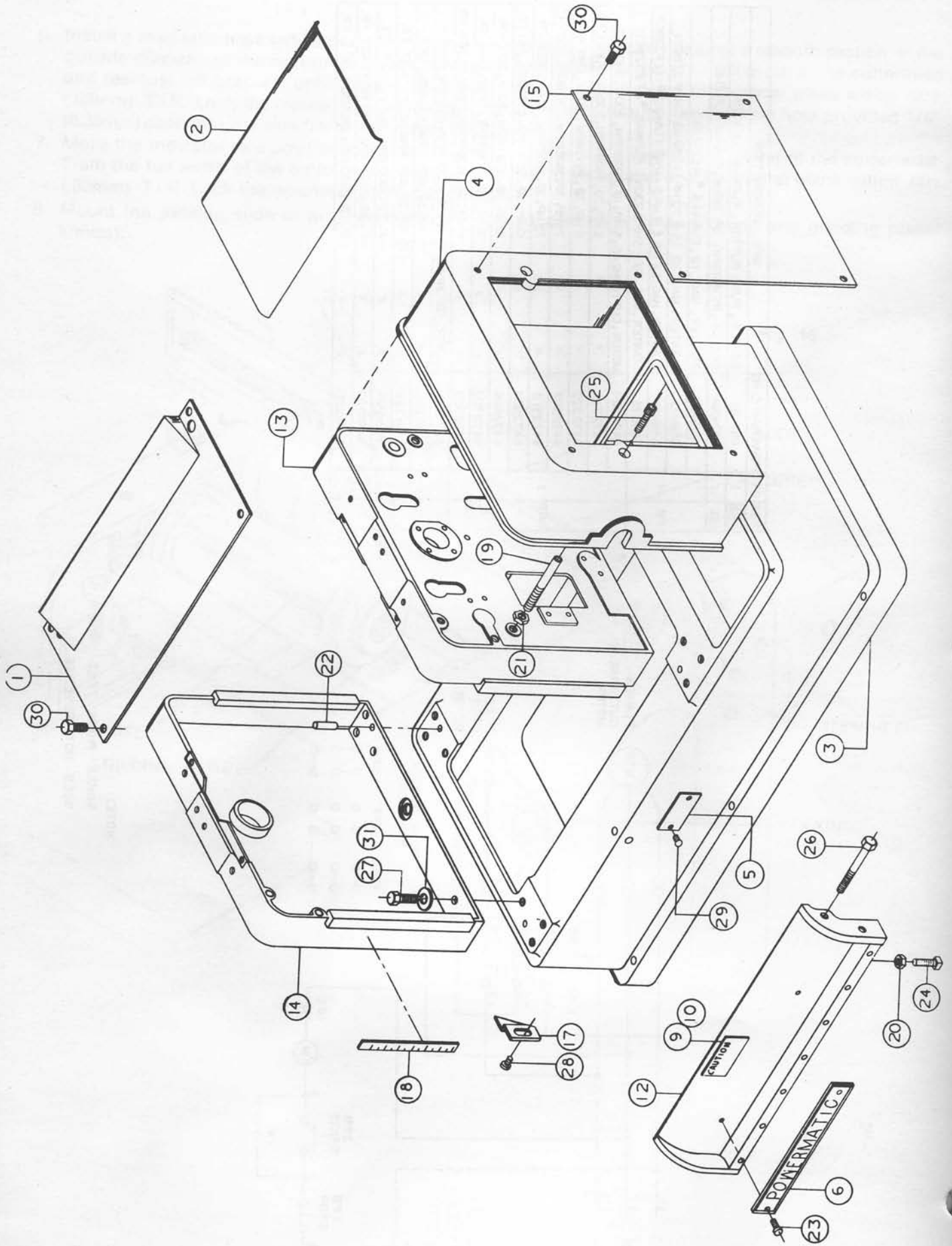
MAINTENANCE INSTRUCTIONS  
AND PARTS LIST



Better By Design™

**POWERMATIC® III**

McMINNVILLE, TENNESSEE 37110 ☐ AC 615-473-5551

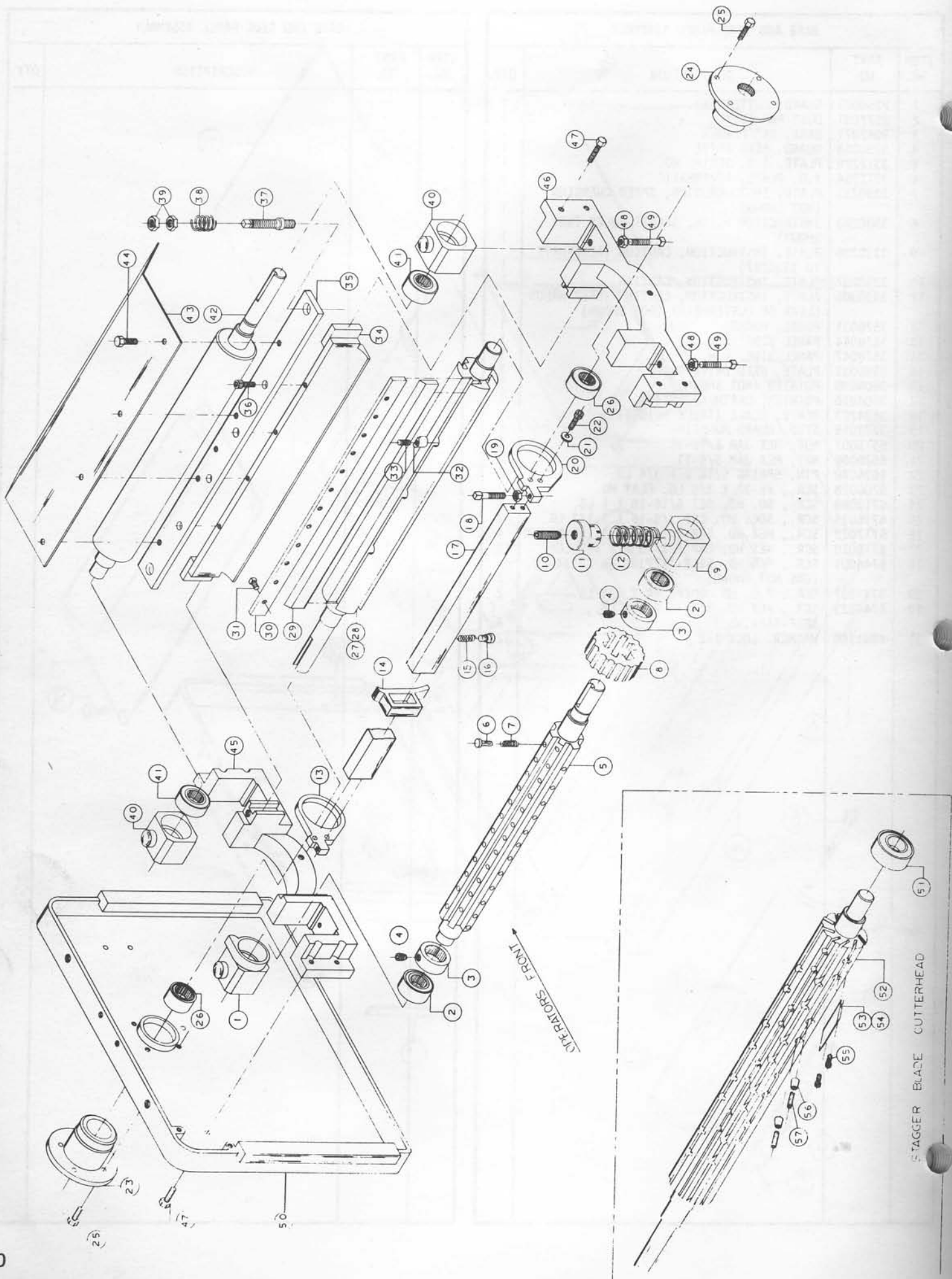


## BASE AND SIDE PANEL ASSEMBLY

ITEM NO.	PART NO.	DESCRIPTION	QTY.
1	2250051	GUARD, CUTTERHEAD	1
2	2577001	DUST PAN ASSY.	1
3	3042071	BASE, 24" PLANER	1
4	3250063	GUARD, FEED DRIVE	1
5	3312228	PLATE, I.D. SERIAL NO.	1
6	3312254	I.D. PLATE, POWERMATIC	1
7	3330233	PLATE, INST. CAUTION, SPEED CHANGING (NOT SHOWN)	1
8	3330283	INSTRUCTION PLATE, SAFETY RULES (NOT SHOWN)	1
9	3330286	PLATE, INSTRUCTION, CAUTION (ALTERNATE TO 3330287)	1
10	3330287	PLATE, INSTRUCTION, CAUTION	1
11	3330305	PLATE, INSTRUCTION, CAUTION (KEEP HANDS CLEAR OF CUTTERHEAD) (NOT SHOWN)	1
12	3578031	PANEL, FRONT	1
13	3578044	PANEL SIDE, R.H.	1
14	3578047	PANEL SIDE, L.H.	1
15	3595032	PLATE, FEED DRIVE GUARD	1
16	3604008	POINTER (NOT SHOWN)	1
17	3604010	POINTER, DEPTH ADJUSTING	1
18	3684223	PLATE, SCALE (TABLE HEIGHT)	1
19	3773015	STUD, GUARD MOUNTING	2
20	6515007	NUT, HEX JAM 5/16-18	2
21	6520008	NUT, HEX JAM 5/8-11	2
22	6626048	PIN, SPRING 5/16 X 1 3/4 LG.	4
23	6706028	SCR., #6-32 X 3/8 LG. FLAT HD.	2
24	6715088	SCR., SQ. HD. SET 5/16-18 X 1 LG.	2
25	6716015	SCR., SOC. HD. CAP 3/8-16 X 1 1/2 LG.	2
26	6717022	SCR., HEX HD. CAP 7/16-14 X 4 1/2 LG.	4
27	6718010	SCR., HEX HD. CAP 1/2-13 X 1 1/2 LG.	12
28	6746001	SCR., PAN HD. SELF-TAPPING #6 X 1/4 LG. (ONE NOT SHOWN)	2
29	6747001	SCR., P.D. HD. DRIVE #4 X 1/4 LG.	2
30	6746023	SCR., HEX HD. 1/4-20 X 5/8 LG., SELF-TAPPING	8
31	6861100	WASHER. LOCK 1/2	12

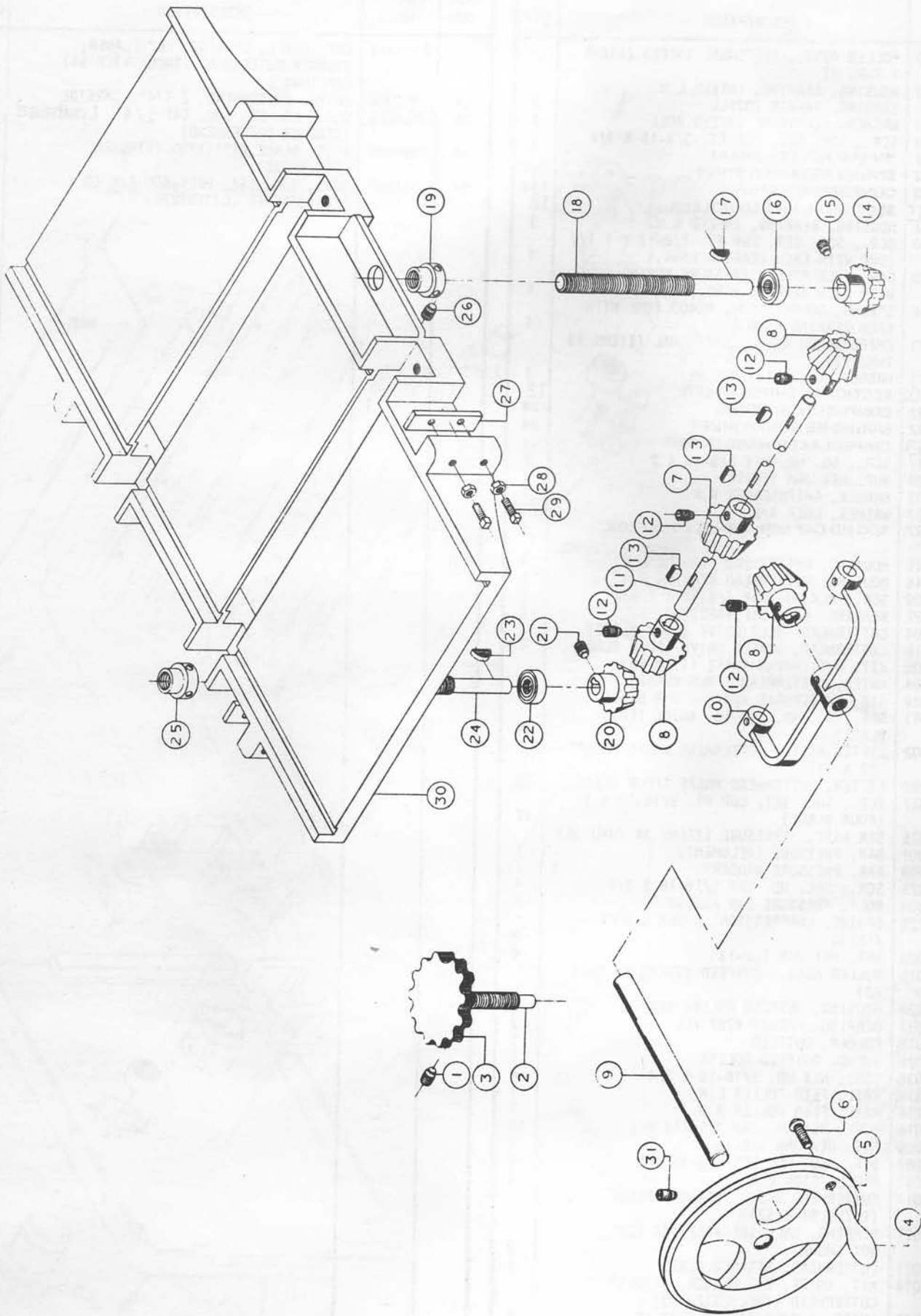
## BASE AND SIDE PANEL ASSEMBLY

ITEM NO.	PART NO.	DESCRIPTION	QTY.



CUTTERHEAD AREA ASSEMBLY			
ITEM NO.	PART NO.	DESCRIPTION	QTY.
	2673006	ROLLER ASSY., SECTIONAL INFEED (ITEMS 1 THRU 9)	
1	3298078	HOUSING, BEARING, INFEED L.H.	1
2	6060037	BEARING, FAFNIR 207KLL	2
3	3837009	WASHER, SECTIONAL INFEED ROLL	2
4	6716003	SCR., SOC. SET, CUP PT. 3/8-16 X 3/8	2
5	3700117	INFEED ROLLER SHAFT	1
6	3664002	SPRING RETAINER RIVET	144
7	6813092	COMPRESSION SPRING	144
8	3673015	SECTIONAL INFEED ROLLER	12
9	3298077	HOUSING, BEARING, INFEED R.H.	1
10	6718050	SCR., SOC. SET, CUP PT. 1/2-13 X 1 1/2 (ONE WITH EACH BEARING HSNG.)	4
11	3078020	CAP, FEED ROLLER PRESSURE SPRING (ONE WITH EACH BEARING HSNG.)	4
12	6813066	SPRING, COMPRESSION, R2403 (ONE WITH EACH BEARING HSNG.)	4
	2086003	CHIPBREAKER ASSY., SECTIONAL (ITEMS 13 THRU 22)	
13	3274002	HANGER, CHIPBREAKER L.H.	1
14	3087002	SECTIONAL CHIPBREAKER	12
15	6813091	COMPRESSION SPRING	24
16	3664002	SPRING RETAINER RIVET	24
17	3044063	CHIPBREAKER HANGER BAR	1
18	6716087	SCR., SQ. HD. SET 3/8-16 X 2	2
19	6516009	NUT, HEX JAM 3/8-16	2
20	3274003	HANGER, CHIPBREAKER R.H.	1
21	6861307	WASHER, LOCK 3/8	4
22	6716027	SOC HD CAP SCR, 3/8-16 x 1, NYLOK	4
23	3298045	HOUSING, CUTTERHEAD BEARING L.H.	1
24	3298046	HOUSING, CUTTERHEAD BEARING R.H.	1
25	6718009	SCR., HEX HD. CAP 1/2-13 X 1 1/4	8
26	6060021	BEARING, BALL SKF #462309J	2
27	3112004	CUTTERHEAD, BELT DRIVE (FOUR BLADE)	1
28	3112018	CUTTERHEAD, DIRECT DRIVE (FOUR BLADE)	1
	2393008	KIT, CUTTERHEAD KNIFE (ITEM 29)	
29	3401004	KNIFE, CUTTERHEAD (FOUR BLADE)	4
30	3244029	GIB, CUTTERHEAD KNIFE (FOUR BLADE)	4
31	3689049	SCR., SQ. HD. 3/8-16, KNIFE (FOUR BLADE)	48
	2438002	LIFTER ASSY., CUTTERHEAD KNIFE (ITEMS 32 & 33)	
32	3438202	LIFTER, CUTTERHEAD KNIFE (FOUR BLADE)	12
33	6715017	SCR., SOC. SET, CUP PT. 5/16-18 X 1 (FOUR BLADE)	12
	2040016	BAR ASSY., PRESSURE (ITEMS 34 THRU 36)	
34	2040001	BAR, PRESSURE (WELDMENT)	1
35	3044059	BAR, PRESSURE HANGER	1
36	6715025	SCR., SOC. HD. CAP 5/16-18 X 3/4	4
37	3058008	BOLT, PRESSURE BAR ADJUST	2
38	3755228	SPRING, COMPRESSION, DUDEK & BOCK #16138	2
39	6518008	NUT, HEX JAM 1/2-13	4
	2673015	ROLLER ASSY., OUTFEED (ITEMS 40 THRU 42)	
40	3298024	HOUSING, OUTFEED ROLLER BEARING	2
41	6060037	BEARING, FAFNIR #207 KLL	2
42	3673018	ROLLER, OUTFEED	1
43	3250028	GUARD, OUTFEED ROLLER	1
44	6715035	SCR., HEX HD. 5/16-18 X 3/4	4
45	3653014	RAIL, FEED ROLLER L.H.	1
46	3653016	RAIL, FEED ROLLER R.H.	1
47	6716016	SCR., HEX HD. CAP 7/16-14 X 2	10
48	6516009	NUT, HEX JAM 3/8-16	4
49	6716087	SCR., SQ. HD. SET 3/8-16 X 2	4
50	3578047	PANEL, SIDE L.H.	1
	2109017	CUTTERHEAD ASSY., STAGGER BLADE (ITEMS 51 & 52)	
51	6060021	BEARING, BALL SKF #462309J (ONE NOT SHOWN)	2
52	3112021	CUTTERHEAD, STAGGER BLADE	1
	2393014	KIT, KNIFE, 24" PLANER, STAGGER CUTTERHEAD (INCL. ITEM 53)	
53	3052003	KNIFE, CUTTERHEAD, 2 1/4" LG.	36

CUTTERHEAD AREA ASSEMBLY			
ITEM NO.	PART NO.	DESCRIPTION	QTY.
	2393019	KIT, KNIFE, CARBIDE, 24" PLANER, STAGGER CUTTERHEAD (INCL. ITEM 54) (OPTIONAL)	
54	3052004	KNIFE, CUTTERHEAD, 2 1/4", CARBIDE	36
55	6764043	SCR., LOW HD SOC. CAP-1/4" Lowhead (STAGGER CUTTERHEAD)	72
56	3598046	PLUG, BLADE RETAINING (STAGGER CUTTERHEAD)	72
57	6714091	SCR., SOC. SET, HALF DOG 1/4-20 X 5/8 (STAGGER CUTTERHEAD)	72



## TABLE AND TABLE RAISING ASSEMBLY

ITEM NO.	PART NO.	DESCRIPTION	QTY.
	2695025	SCR., LOCK ASSY., TABLE RAISING HANDWHEEL (ITEMS 1 THRU 3)	
1	6715016	SCR., SOC. SET, CUP PT. 5/16-18 X 5/16	1
2	3695033	SCR., LOCK, TABLE RAISING	1
3	3271008	HANDWHEEL	1
	2709014	SHAFT ASSY., TABLE RAISING (ITEMS 4 THRU 13)	
	2271018	HANDWHEEL ASSY., TABLE RAISING SHAFT (ITEMS 4 THRU 6)	
4	6350020	HANDLE, HOLLOW #2	1
5	3271038	HANDWHEEL, 12" DIA.	1
6	6765010	SCR., BUTTON HD. CAP 5/16-24 X 3/4	1
7	3237027	GEAR, MITER, TABLE RAISING SHAFT	1
8	3237026	GEAR, MITER, TABLE RAISING HANDWHEEL SHAFT	3
9	3701003	SHAFT, TABLE RAISING HANDWHEEL	1
10	3216002	FORK, TABLE RAISING	1
11	3705003	SHAFT, COUNTER	1
12	6716003	SCR., SOC. SET, CUP PT. 3/8-16 X 3/8	4
13	6420002	KEY, WOODRUFF #608	3
	2690021	SCR. ASSY., TABLE RAISING R.H. (ITEMS 14 THRU 19)	
14	3237039	GEAR, MITER, TABLE RAISING	1
15	6716003	SCR., SOC. SET, CUP PT. 3/8-16 X 3/8	1
16	6064003	BEARING, THRUST NICE #613	1
17	6420003	KEY, WOODRUFF #810	1
18	3691012	SCR., TABLE RAISING R.H.	1
19	3529004	NUT, TABLE RAISING R.H.	1
	2690022	SCR. ASSY., TABLE RAISING L.H. (ITEMS 20 THRU 25)	
20	3237039	GEAR, MITER, TABLE RAISING	1
21	6716003	SCR., SOC. SET, CUP PT. 3/8-16 X 3/8	1
22	6064003	BEARING, THRUST NICE #613	1
23	6420003	KEY, WOODRUFF #810	1
24	3691013	SCR., TABLE RAISING L.H.	1
25	3529005	NUT, TABLE RAISING L.H.	1
26	6716004	SCR., SOC. SET, CUP PT. 3/8-16 X 1	2
27	3244024	GIB, TABLE ADJUST	2
28	6516007	NUT, HEX 3/8-16	4
29	6716083	SCR., SQ. HD. SET 3/8-16 X 1 3/4	4
30	3797056	TABLE, 24" PLANER	1
31	6716003	SCR., SOC. SET, CUP PT. 3/8-16 X 3/8	1

## TABLE AND TABLE RAISING ASSEMBLY

ITEM NO.	PART NO.	DESCRIPTION	QTY.
----------	----------	-------------	------

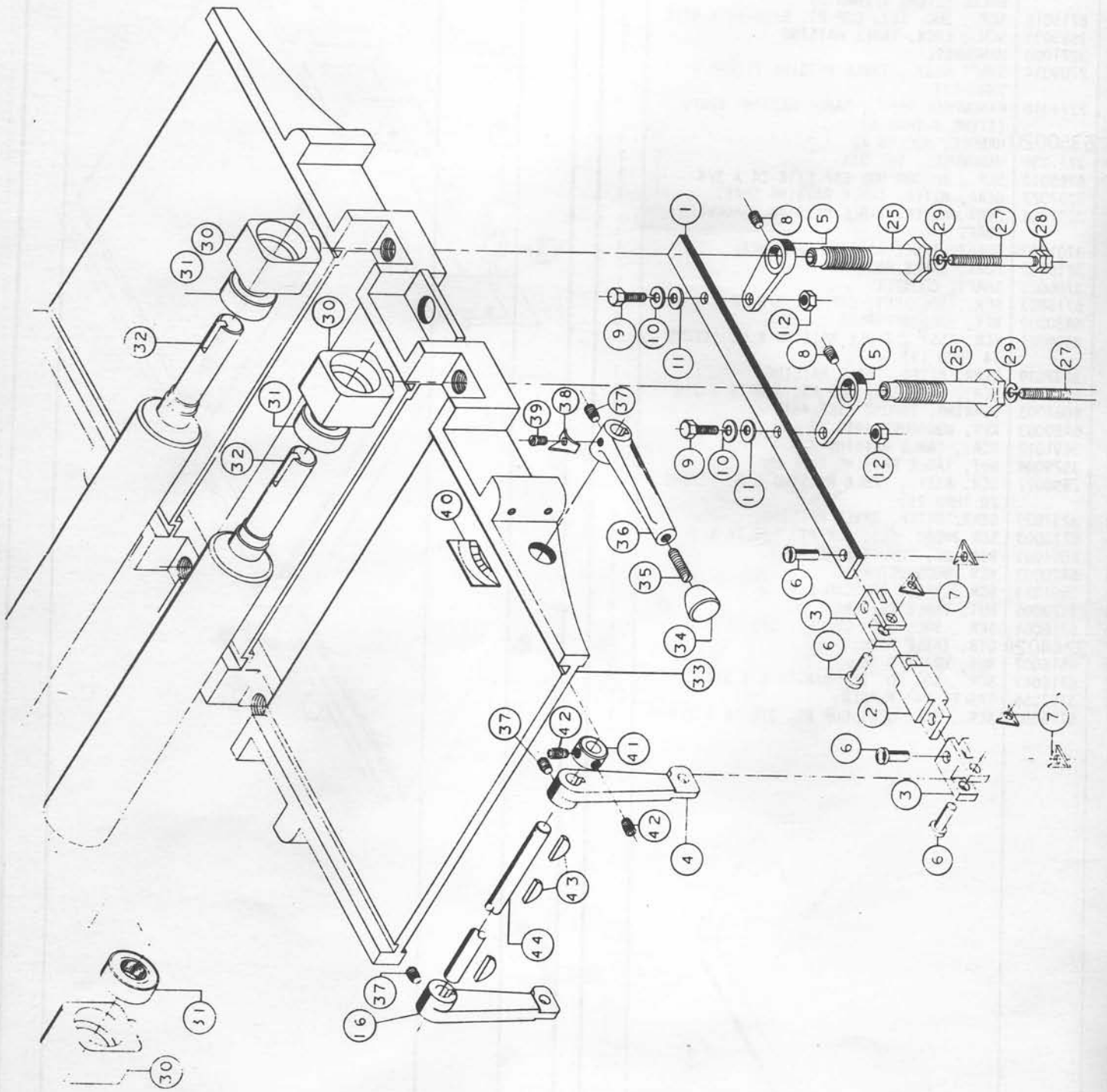
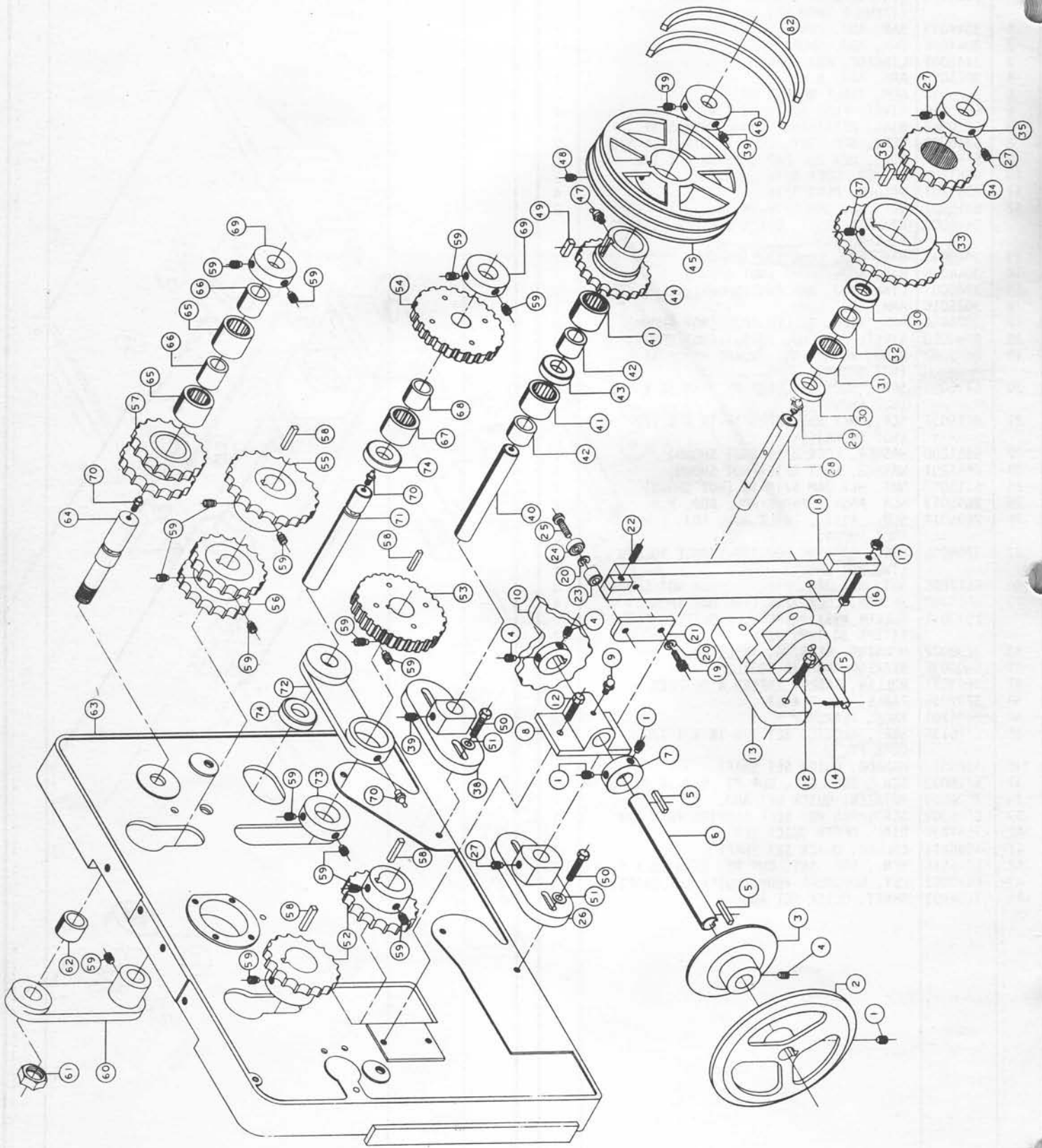




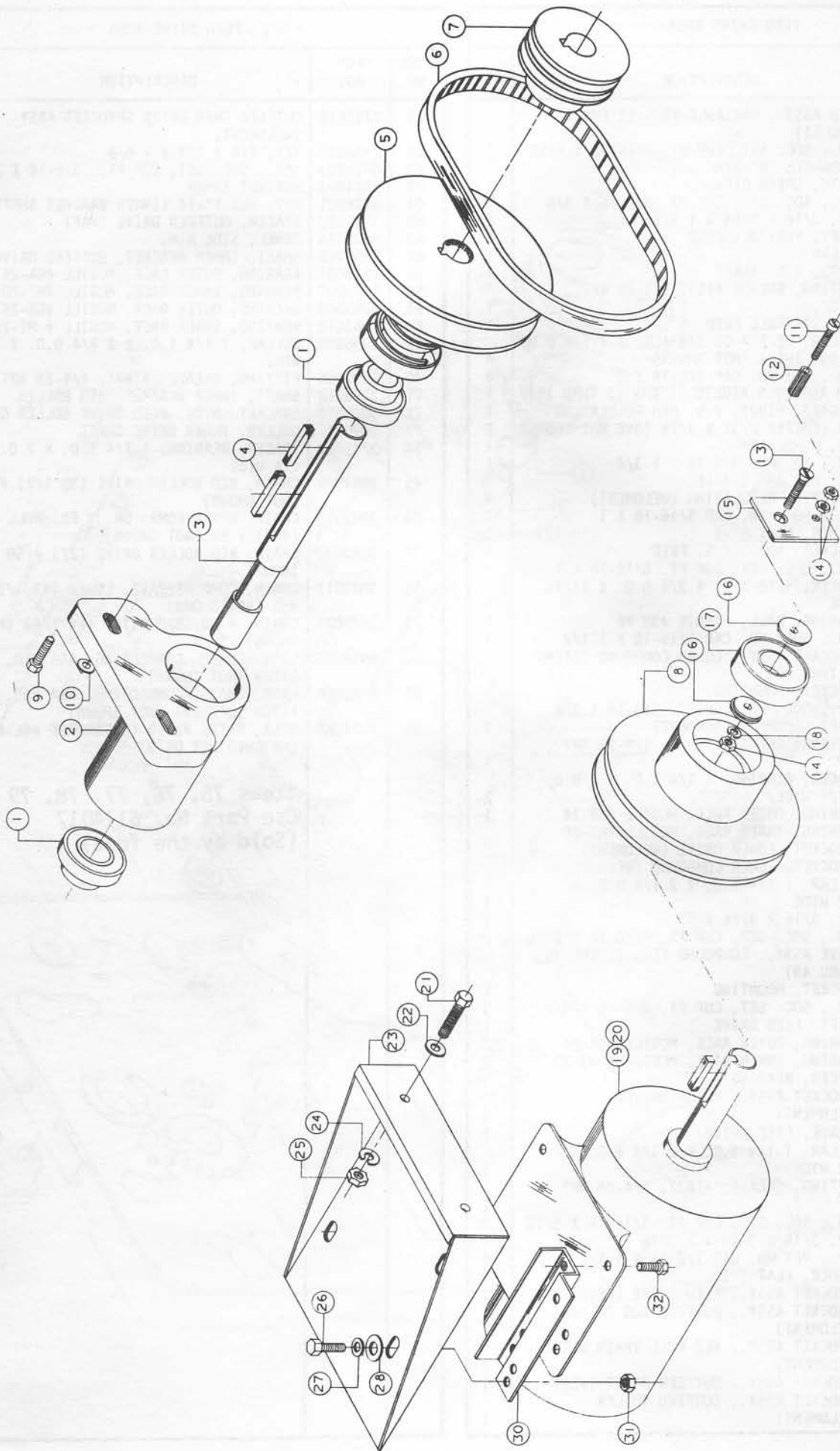
TABLE & TABLE ROLLER ADJ. ASSY.			
ITEM NO.	PART NO.	DESCRIPTION	QTY.
	2445005	LINKAGE ASSY., QUICK SET R.H. (ITEMS 1 THRU 12)	
1	3044033	BAR, ADJ. LONG	1
2	3044026	BAR, ADJ. SHORT	1
3	3445001	LINKAGE, ADJ. BAR	2
4	3025015	ARM, ADJ. R.H.	1
5	3025014	ARM, TABLE ROLLER ADJ.	2
6	6680010	RIVET, FLAT HD. 5/16 X 1	4
7	6670082	RING, RETAINING, TRUARC #5305-31	4
8	6716003	SCR., SOC. SET, CUP PT. 3/8-16 X 3/8	2
9	6715037	SCR., HEX HD. CAP 5/16-18 X 1 1/2	2
10	6861200	WASHER, LOCK 5/16	2
11	6861201	WASHER, FLAT 5/16	4
12	6515007	NUT, HEX JAM 5/16-18	2
	2445009	LINKAGE ASSY., QUICK SET L.H. (ITEMS 13 THRU 24)	
13	3044033	BAR, ADJ. LONG (NOT SHOWN)	1
14	3044026	BAR, ADJ. SHORT (NOT SHOWN)	1
15	3445001	LINK, ADJ. BAR (NOT SHOWN)	2
16	3025016	ARM, ADJ. L.H.	1
17	3025014	ARM, TABLE ROLLER ADJ. (NOT SHOWN)	2
18	6680010	RIVET, FLAT HD. 5/16-1 (NOT SHOWN)	2
19	6670082	RING, RETAINING, TRUARC #5305-31 (NOT SHOWN)	4
20	6716003	SCR., SOC. SET, CUP PT. 3/8-16 X 3/8 (NOT SHOWN)	2
21	6715037	SCR., HEX HD. CAP 5/16-18 X 1 1/2 (NOT SHOWN)	2
22	6861200	WASHER, LOCK 5/16 (NOT SHOWN)	2
23	6861201	WASHER, FLAT 5/16 (NOT SHOWN)	4
24	6515007	NUT, HEX JAM 5/16-18 (NOT SHOWN)	2
25	2695013	SCR. ASSY., TABLE ROLL ADJ. R.H.	2
26	2695014	SCR., ASSY., TABLE ROLL ADJ. L.H. (NOT SHOWN)	2
27	3708005	LOCK, BEARING HOUSING, TABLE ROLLER (TWO NOT SHOWN)	4
28	6517006	NUT, HEX JAM 7/16-14 (FOUR NOT SHOWN)	8
29	6861400	WASHER, LOCK 7/16 (TWO NOT SHOWN)	4
	2673011	ROLLER ASSY., INFEED & OUTFEED TABLE (ITEMS 30 THRU 32)	2
30	3298022	HOUSING, BEARING, TABLE ROLL	2
31	6063037	BEARING, FAFNIR 207KLL	2
32	3673021	ROLLER, TABLE, INFEED & OUTFEED	1
33	3797056	TABLE, 24" PLANER	1
34	3406201	KNOB, TEARDROP	1
35	6716135	SCR., SLOTTED SET 3/8-16 X 1 1/2, CONE PT.	1
36	3269010	HANDLE, QUICK SET SHAFT	1
37	6716003	SCR., SOC. SET, CUP PT. 3/8-16 X 3/8	3
38	3604009	POINTER, QUICK SET ADJ.	1
39	6746001	SCR., PAN HD. SELF-TAPPING #6 X 1/4	1
40	3684236	DIAL, DEPTH QUICK SET	1
41	3096244	COLLAR, QUICK SET SHAFT	1
42	6715016	SCR., SOC. SET, CUP PT. 5/16-18 X 5/16	2
43	6420002	KEY, WOODRUFF #608 (QUICK SET SHAFT)	3
44	3704003	SHAFT, QUICK SET ADJ.	1

TABLE & TABLE ROLLER ADJ. ASSY.			
ITEM NO.	PART NO.	DESCRIPTION	QTY.



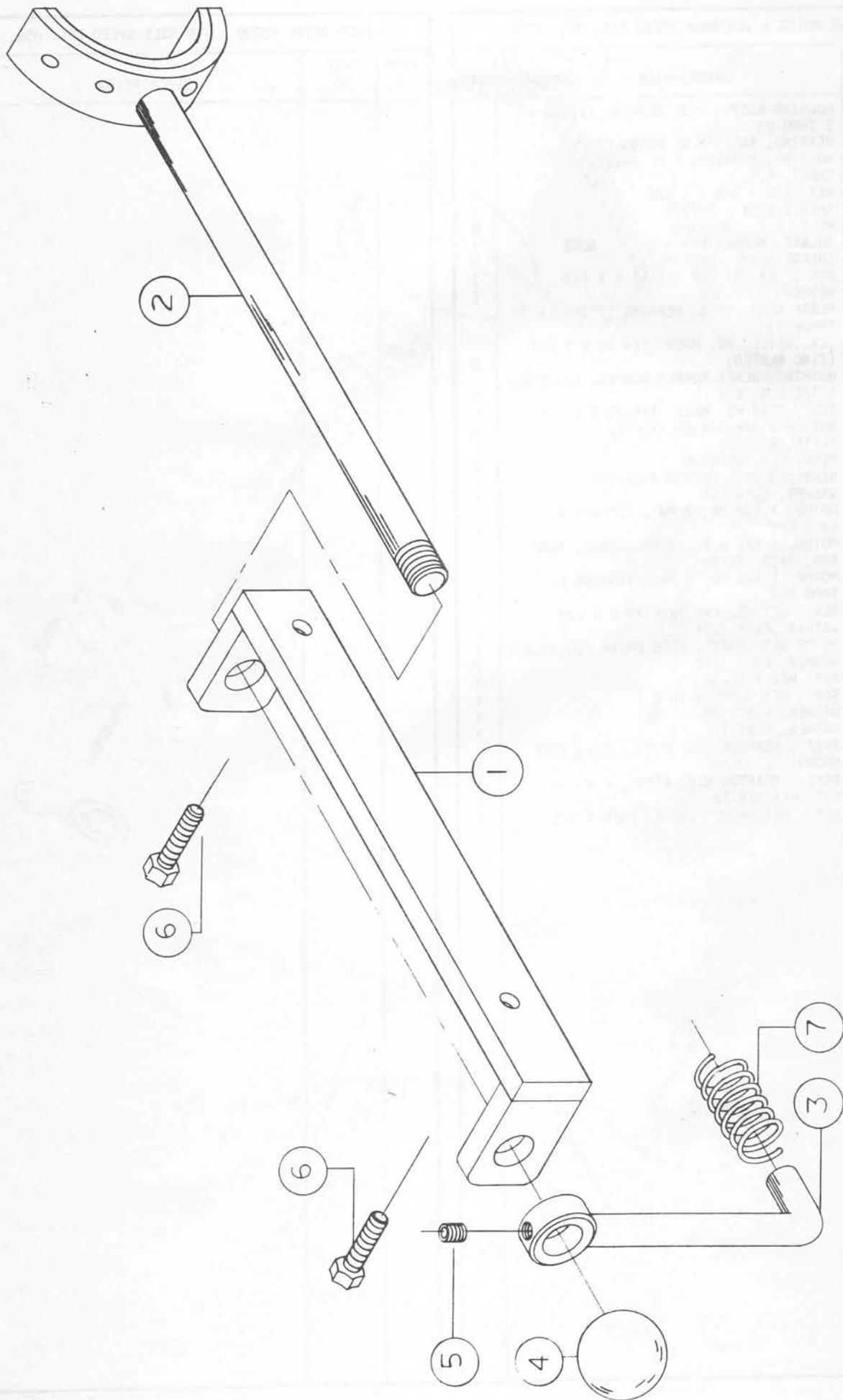
FEED DRIVE AREA			
ITEM NO.	PART NO.	DESCRIPTION	QTY.
	2192006	FEED ASSY., VARIABLE ADJ. (ITEMS 1 THRU 11)	
1	6715016	SCR., SOC. SET, CUP PT. 5/16-18 X 5/16	3
2	3271039	HANDWHEEL, 8" DIA.	1
3	3747011	PLATE, SPEED DIAL	1
4	6716003	SCR., SOC. SET, CUP PT. 3/8-16 X 3/8	3
5	3388008	KEY, 3/16 X 3/16 X 1 1/2	2
6	3706009	SHAFT, VARIABLE FEED	1
7	3096244	COLLAR	1
8	3064061	BRKT., V.S. SHAFT	1
9	6609002	FITTING, GREASE #1637 1/4-28 NPT., 45°	1
10	3076019	CAM, VARIABLE FEED	1
11	6811284	SPACER, DE-STA-CO 3/8 I.D. X 1 1/8 O.D. X .034 THICK (NOT SHOWN)	4
12	6716031	SCR., HEX HD. CAP 3/8-16 X 1	4
	2025021	ARM ASSY., V.S. REGLTG. (ITEMS 13 THRU 25)	1
13	3065014	BRACKET, PIVOT, V.S. ARM REGULATING	1
14	6622001	PIN, COTTER 2/32 X 3/16 (ONE NOT SHOWN)	2
15	3584022	PIN, V. S. ARM	1
16	6716083	SCR., SQ. HD. 3/8-16 X 1 3/4	1
17	6516009	NUT, HEX JAM 3/8-16	1
18	2025020	ARM, V.S. REGULATING (WELDMENT)	1
19	6715020	SCR., SOC. HD. CAP 5/16-18 X 1	1
20	6861200	WASHER, LOCK 5/16	2
21	3064048	BRACKET, ADJ., V.S. FEED	1
22	6715017	SCR., SOC. SET, CUP PT. 5/16-18 X 1	1
23	3737005	SPACER, 5/16 I.D. X 3/4 O.D. X 11/16 WIDE	1
24	6060001	BEARING, BALL, FAFNIR #38 PP	1
25	6715026	SCR., SOC. HD. CAP 5/16-18 X 1 1/2	1
	2753021	SPROCKET ASSY., LOWER COMPOUND (ITEMS 26 THRU 37)	1
26	3063058	BRACKET, MOUNTING	1
27	6716003	SCR., SOC. HD. CUP PT. 3/8-16 X 3/8	3
28	3706008	SHAFT, COMPOUND SPROCKET	1
29	6609003	FITTING, GREASE, #1911, 1/4-28 NPT., 90°	1
30	3741002	SPACER, BEARING. 1 1/4 I.D. X 2 O.D. X 1/4 WIDE	2
31	6063001	BEARING, OUTER RACE, MCGILL #GR-24	1
32	6063002	BEARING, INNER RACE, MCGILL #MI-20	1
33	2753017	SPROCKET, LOWER DRIVE (WELDMENT)	1
34	2753022	SPROCKET, LOWER COMPOUND (WELDMENT)	1
35	3096030	COLLAR, 1 1/4 I.D. X 2 1/4 O.D. X 1/2 WIDE	1
36	3388004	KEY, 3/16 X 3/16 X 1	1
37	6715016	SCR., SOC. SET, CUP PT. 5/16-18 X 5/16	1
	2182004	DRIVE ASSY., COMPOUND FEED (ITEMS 38 THRU 49)	1
38	3063058	BRACKET, MOUNTING	1
39	6716003	SCR., SOC. SET, CUP PT. 3/8-16 X 3/8	3
40	3706010	SHAFT, FEED DRIVE	1
41	6063001	BEARING, OUTER RACE, MCGILL #GR-24	2
42	6063002	BEARING, INNER RACE, MCGILL # MI-20	2
43	3737012	SPACER, BEARING	1
44	2753015	SPROCKET ASSY., MOTOR DRIVEN (WELDMENT)	1
45	3717010	SHEAVE, FEED DRIVE	1
46	3096030	COLLAR, 1 1/4 I.D. X 2 1/4 O.D. X 1/2 WIDE	1
47	6609002	FITTING, GREASE, #1637, 1/4-28 NPT., 45°	1
48	6715016	SCR., SOC. SET, CUP PT. 5/16-18 X 5/16	1
49	3388014	KEY, 3/16 X 3/16 X 2 3/16	1
50	6718010	SCR., HEX HD. CAP 1/2-13 X 1 1/2	4
51	6861501	WASHER, FLAT 1/2	4
52	2753012	SPROCKET ASSY., FEED DRIVE (WELDMENT)	2
53	2753020	SPROCKET ASSY., OUTFEED BED ROLLER (WELDMENT)	1
54	2753019	SPROCKET ASSY., BED ROLL TRAIN DRIVE (WELDMENT)	1
55	2753013	SPROCKET ASSY., OUTFEED DRIVE (WELDMENT)	1
56	2753016	SPROCKET ASSY., OUTFEED ROLLER (WELDMENT)	1

FEED DRIVE AREA			
ITEM NO.	PART NO.	DESCRIPTION	QTY.
57	2753018	OUTFEED TRAN DRIVE SPROCKET ASSY. (WELDMENT)	1
58	3388027	KEY, 1/4 X 1/4 X 1 5/8	4
59	6716003	SCR., SOC. SET, CUP PT., 3/8-16 X 3/8	17
60	3064063	BRACKET INNER	1
61	6576001	NUT, HEX 1"-14 (INNER BRACKET SHAFT)	1
62	3741003	SPACER, OUTFEED DRIVE SHAFT	1
63	3578044	PANEL, SIDE R.H.	1
64	3700010	SHAFT, INNER BRACKET, OUTFEED DRIVE	1
65	6063001	BEARING, OUTER RACE, MCGILL #GR-24	2
66	6063002	BEARING, INNER RACE, MCGILL #MI-20	2
67	6063009	BEARING, OUTER RACE, MCGILL #GR-26	1
68	6063012	BEARING, INNER RACE, MCGILL # MI-224S	1
69	3096030	COLLAR, 1 1/4 I.D. X 2 1/4 O.D. X 1/2 WIDE	2
70	6609004	FITTING, GREASE, #1641, 1/4-28 NPT.	3
71	3706012	SHAFT, INNER BRACKET, BED ROLLER	1
72	3065013	BRACKET, MTG., FEED DRIVE ROLLER GEAR	1
73	3096037	COLLAR, TRAIN DRIVE SHAFT	1
74	3741002	SPACER, BEARING, 1 1/4 I.D. X 2 O.D. X 1/4 WIDE	2
75	3083009	CHAIN, BED ROLLER DRIVE (30 1/2) #50 (NOT SHOWN)	1
76	3083010	CHAIN, UPPER COMP. DR. & FD. ROLL DR. (40") # 50 (NOT SHOWN)	2
77	3083012	CHAIN, BED ROLLER DRIVE (27) # 50 (NOT SHOWN)	1
78	3083013	CHAIN, COMP. SHEAVE, LOWER (43 1/2) #50 (NOT SHOWN)	1
79	3083021	CHAIN, # 50, 5/8 PITCH (64 1/4) (NOT SHOWN)	1
80	6452005	LINK, CHAIN, CONNECTING, ASA #50, 5/8 PITCH (NOT SHOWN)	3
81	6452006	LINK, CHAIN, CONNECTING, ASA #50, 5/8 PITCH (OFFSET) (NOT SHOWN)	3
82	6077064	BELT, GATES #2610 (ALTERNATE #4L-610) (MATCHED SET OF 3)	-
<p>Items 75, 76, 77, 78, 79 - Use Part No. 6114017 (Sold by the foot)</p>			



FEED DRIVE MOTOR & VARIABLE SPEED BRG. HSG. AREA			
ITEM NO.	PART NO.	DESCRIPTION	QTY.
	2298015	HOUSING ASSY., V.S. BEARING (ITEMS 1 THRU 8)	
1	6060057	BEARING, BALL, N.D. RA103 ATT	2
2	3298042	HOUSING, BEARING, V.S. DRIVE	1
3	3706035	SHAFT, V.S.	1
4	3388027	KEY, 1/4 X 1/4 X 1 5/8	2
5	2719091	SHEAVE ASSY., DRIVEN	1
6	6077131	BELT, V.S. 1922V338	1
7	6807114	SHEAVE, MAUREY D2325 1 BORE	1
8	2719090	SHEAVE ASSY., DRIVING	1
9	6720018	SCR., HEX HD. CAP 5/8-11 X 1 1/2	2
10	6861701	WASHER, FLAT 5/8	2
	2595003	PLATE ASSY., V.S. BEARING (ITEMS 11 THRU 18)	
11	6714110	SCR., FILL, HD. MACH. 1/4-20 X 1 1/2 (ZINC PLATED)	1
12	3070201	BUSHING, BLACK RUBBER BUMPER, 1/4 I.D. X 1/2 O.D. X 1	1
13	6714056	SCR., FLAT HD. MACH. 1/4-20 X 1	1
14	6514011	NUT, HEX JAM 1/4-20, PLATED	3
15	3595005	PLATE, BEARING	1
16	3598005	PLUG, V.S. BEARING	2
17	6060013	BEARING, BALL FAFNIR 9106 NPP	1
18	6861100	WASHER, LOCK 1/4	1
19	6471304	MOTOR, 1 1/2 HP, 3 PH., 230/460 V, 1800 RPM	1
	6471322	MOTOR, 1 1/2 H.P., 3 PH., 200V, 1800 RPM, 145T, TEFC	1
20	6471301	MOTOR, 1 1/2 HP, 1 PH., 115/230 V, 1800 RPM	1
21	6717018	SCR., HEX HD. CAP 7/16-14 X 1 1/2	2
22	6861401	WASHER, FLAT 7/16	2
23	2042020	MOTOR BASE ASSY., FEED DRIVE (WELDMENT)	1
24	6861400	WASHER, LOCK 7/16	2
25	6517201	NUT, HEX 7/16-14	2
26	6716031	SCR., HEX HD. 3/8-16 X 1	4
27	6861301	WASHER, FLAT 3/8	4
28	6861501	WASHER, FLAT 1/2	4
29	2063038	BRKT., ADAPTOR MTG. ASSY., R.H. (NOT SHOWN)	1
30	2063039	BRKT., ADAPTOR MTG. ASSY., L.H.	1
31	6516301	NUT, HEX 3/8-16	4
32	6715120	SCR., HEX WASHER HD. 5/16-18 X 5/8	4

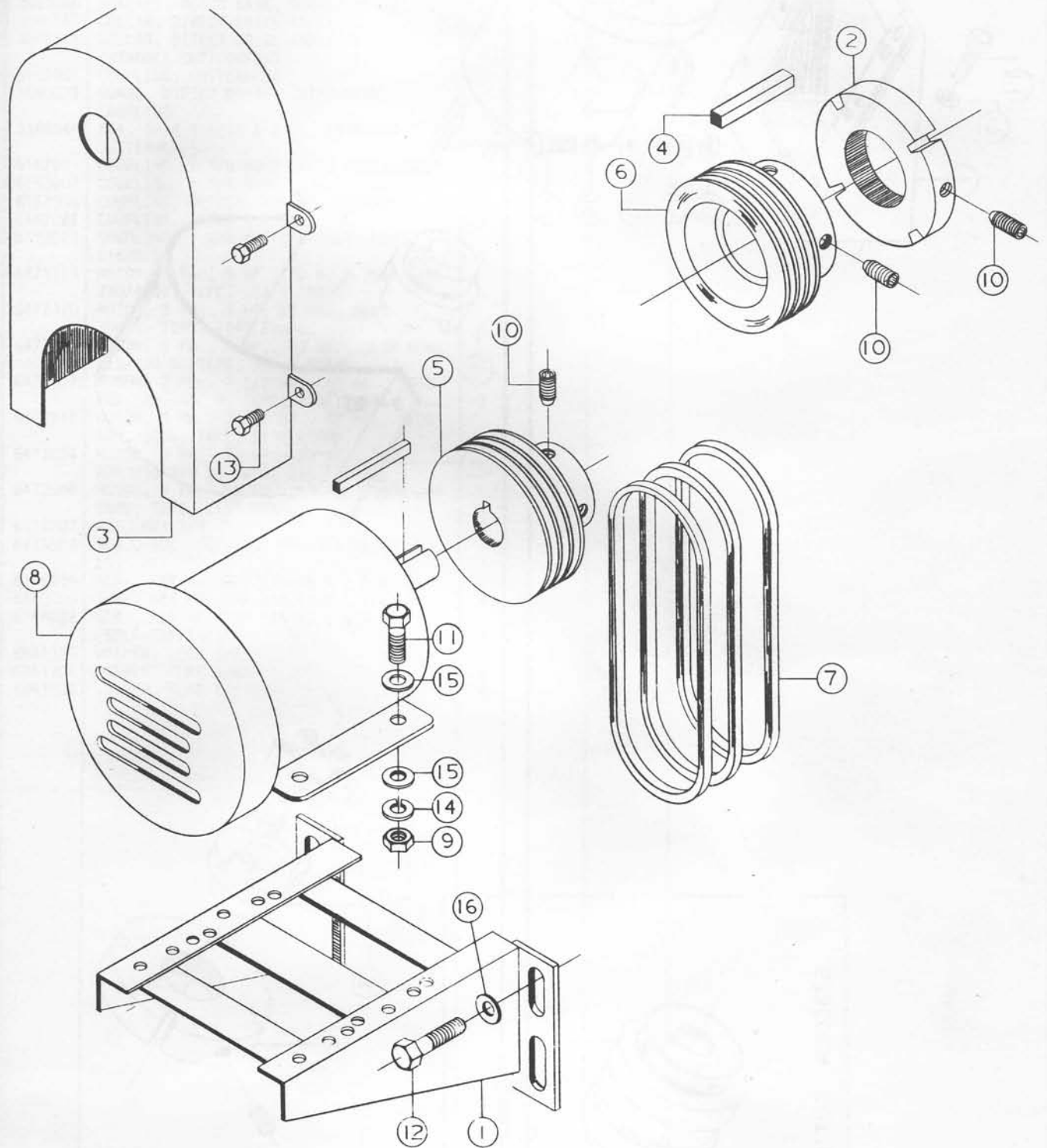
FEED DRIVE MOTOR & VARIABLE SPEED BRG. HSG. AREA			
ITEM NO.	PART NO.	DESCRIPTION	QTY.

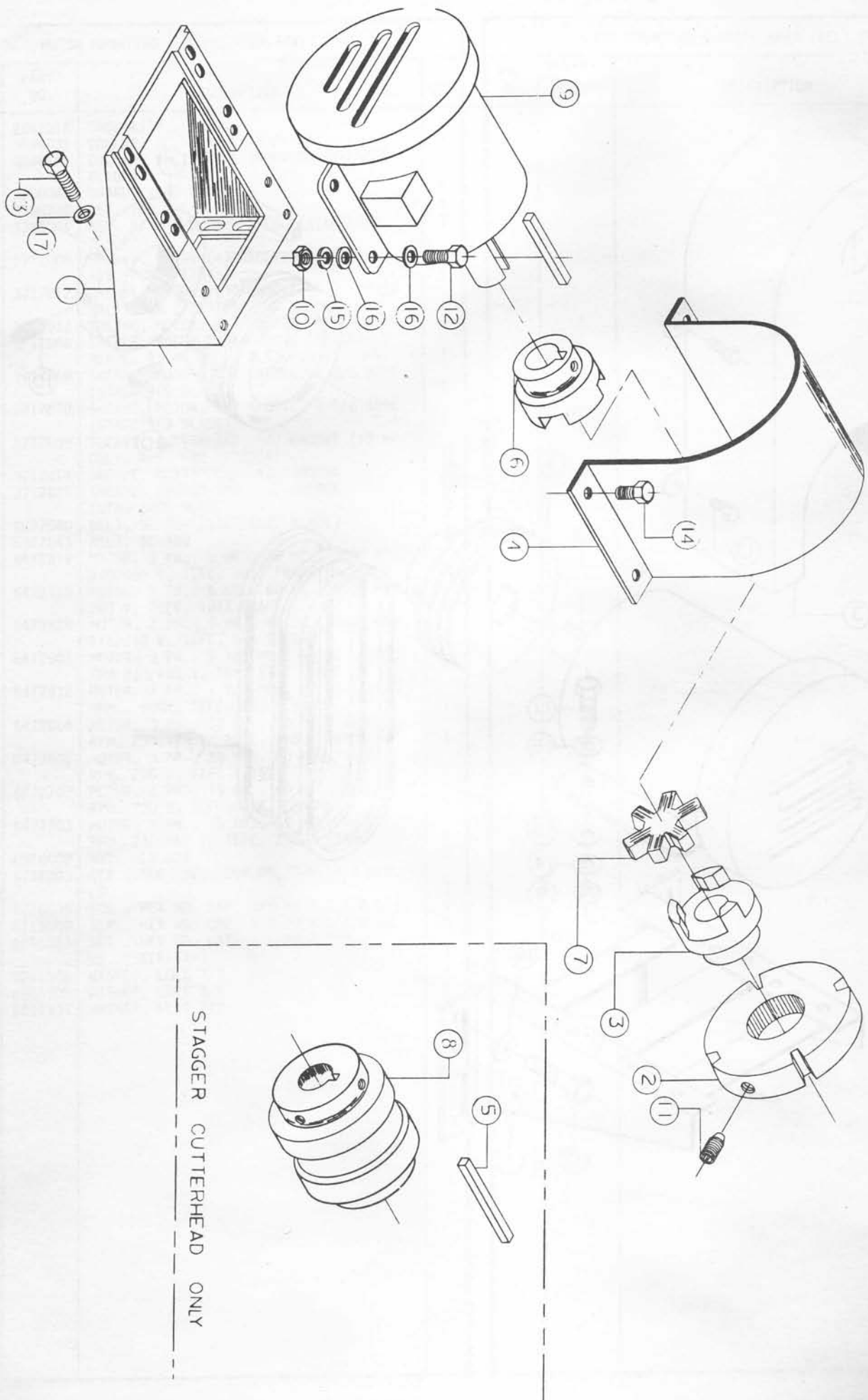






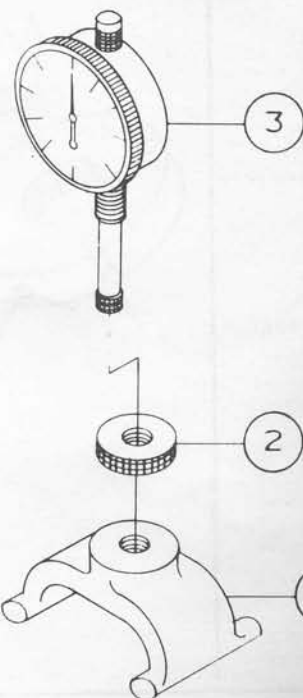
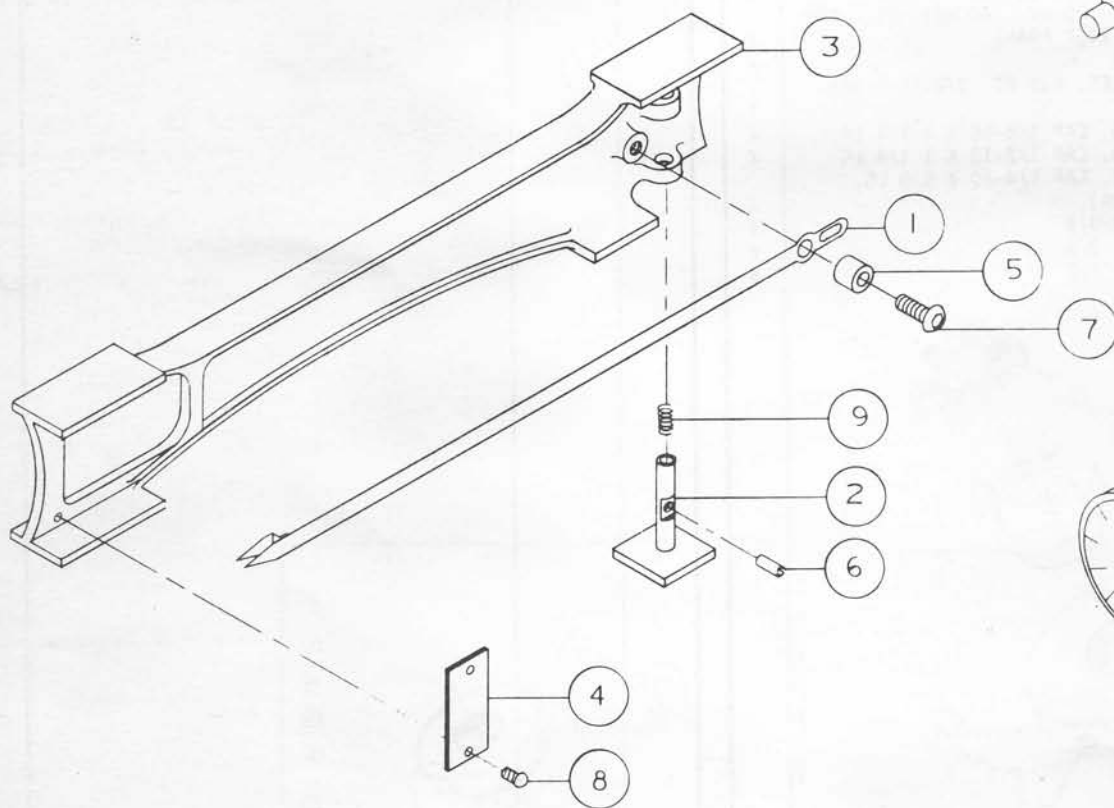
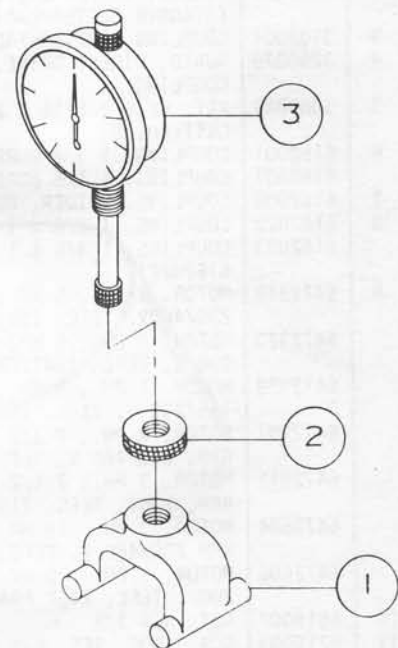
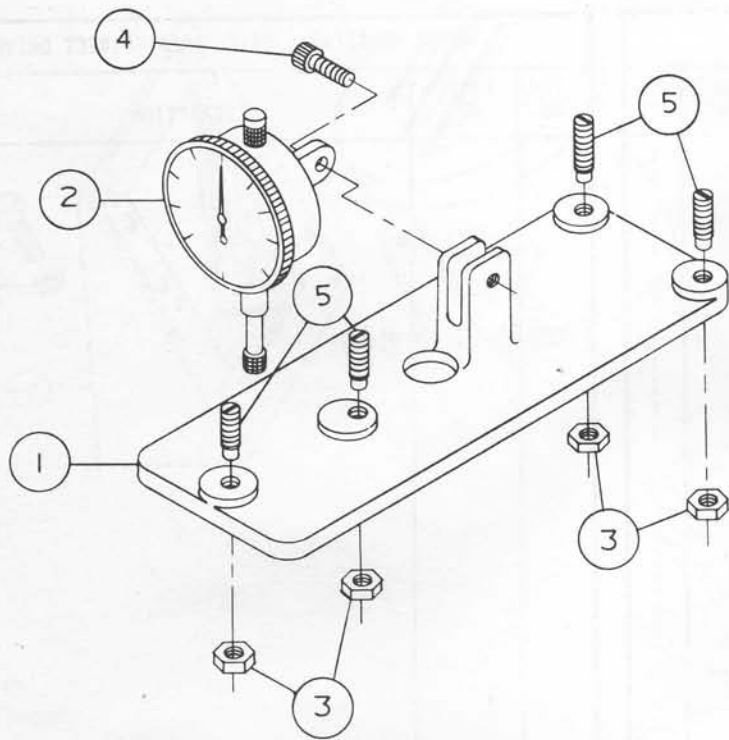






STAGGER CUTTERHEAD ONLY





2230002 GAUGE, BED AND FEED ROLL			
ITEM NO.	PART NO.	DESCRIPTION	QTY.
1	3042031	BASE, TABLE LEVEL INDICATOR	1
2	6391001	INDICATOR, TABLE LEVEL	1
3	6515007	NUT, HEX JAM 5/16" - 18	4
4	6714018	SCR., SOC. HD. CAP 1/4" - 20 X 3/4"	1
5	6715171	SCR., SET, SLOTTED HEADLESS, CUP PT., 5/16" - 18 X 1 1/4"	4

GAUGE, BED AND FEED ROLL			
ITEM NO.	PART NO.	DESCRIPTION	QTY.

2230007 GAUGE, CUTTERHEAD QUIET			
ITEM NO.	PART NO.	DESCRIPTION	QTY.
1	3042340	BASE INDICATOR	1
2	3528003	NUT, KNURLED, 3/8" - 24 UNF	1
3	6391002	INDICATOR, KNIFE LEVEL	1

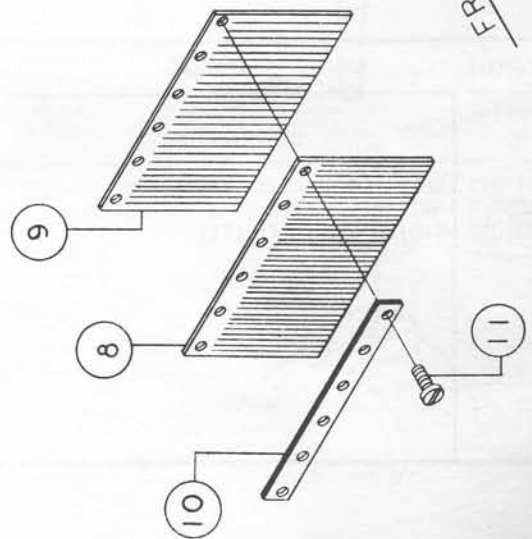
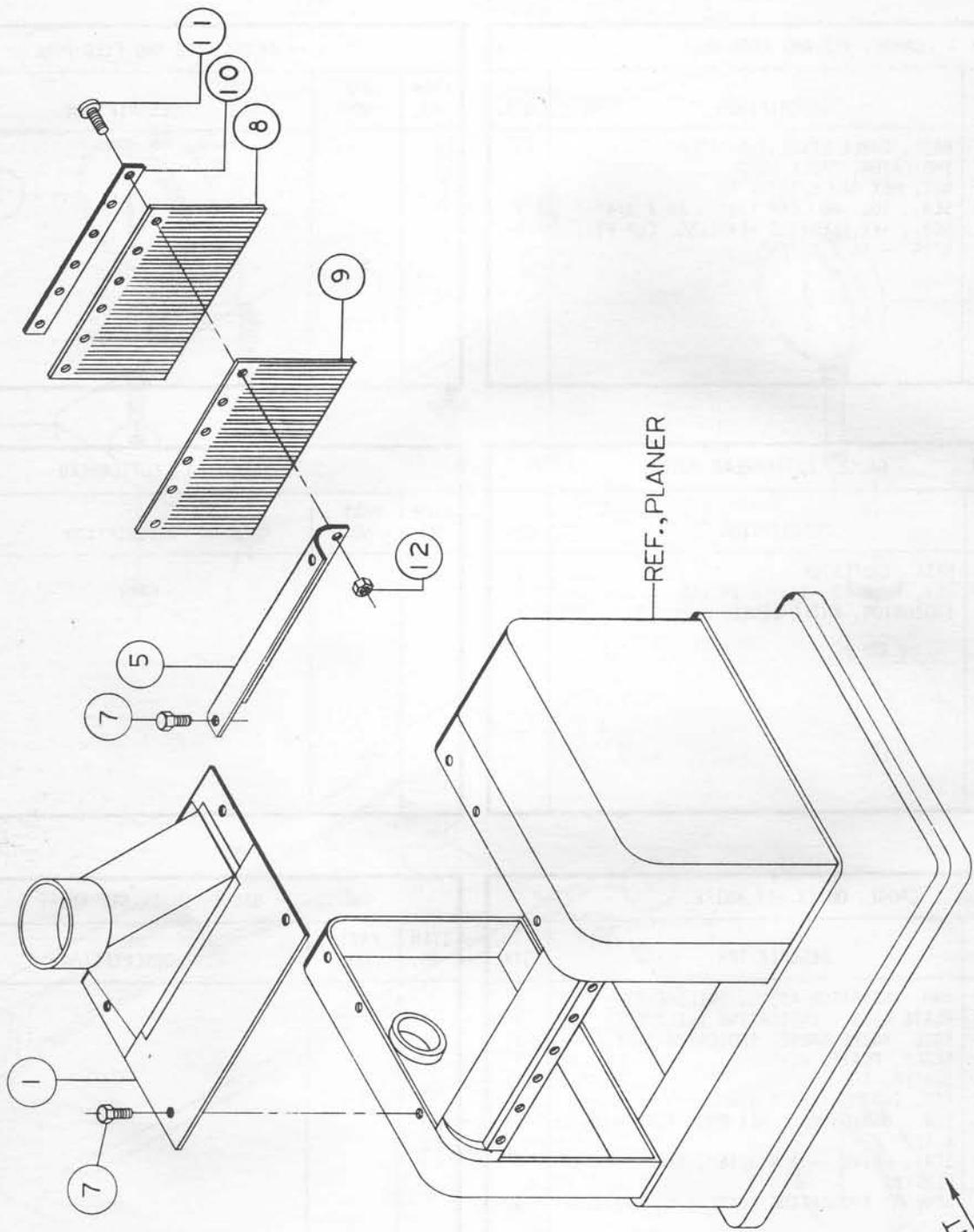
GAUGE, CUTTERHEAD			
ITEM NO.	PART NO.	DESCRIPTION	QTY.

2230001 GAUGE, QUICK SET KNIFE			
ITEM NO.	PART NO.	DESCRIPTION	QTY.
1	2025012	ARM, INDICATOR ASSY., (WELDMENT)	1
2	2595005	PLATE ASSY., INDICATING (WELDMENT)	1
3	3042060	BASE, KNIFE GAUGE, INDICATOR J-21	1
4	3634226	SCALE, PLATE, KG-1	1
5	3735222	SPACER, ARM	1
6	6626002	PIN, SPRING 1/8" X 3/8"	1
7	6714083	SCR., BUTTON HD., HEX SOC. 1/4" - 20 X 1/2"	1
8	6747000	SCR., DRIVE, # 4 X 3/16", NICKEL PLATED	2
9	6813053	SPRING, INDICATING PLATE # KG-140-0041	1

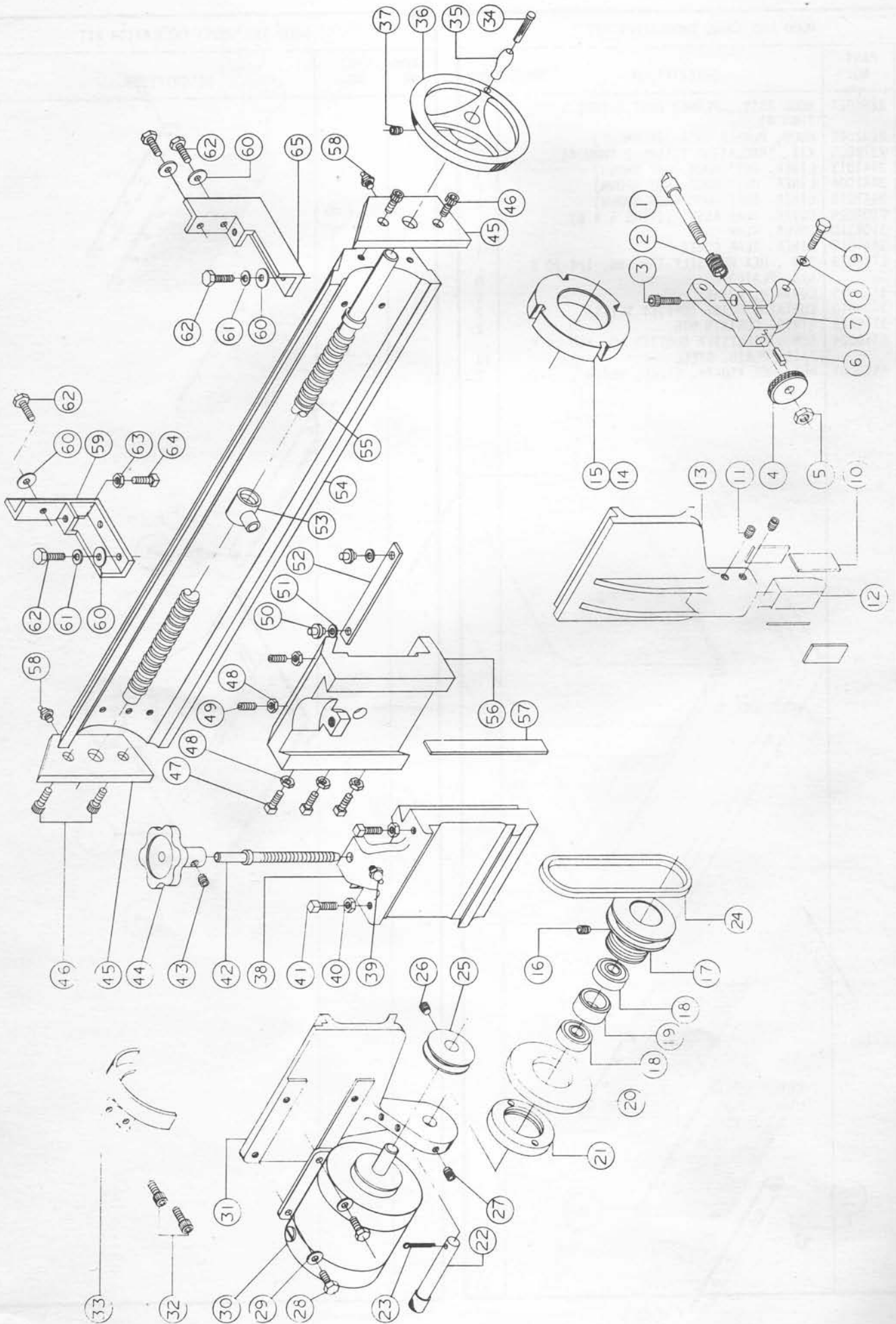
GAUGE, QUICK SET KNIFE			
ITEM NO.	PART NO.	DESCRIPTION	QTY.

2230003 GAUGE, CUTTERHEAD			
ITEM NO.	PART NO.	DESCRIPTION	QTY.
1	3042009	BASE, KNIFE LEVEL INDICATOR	1
2	3528003	NUT, MTG., KNURLED 3/8" - 24	1
3	6391002	INDICATOR, KNIFE LEVEL	1

GAUGE, CUTTERHEAD			
ITEM NO.	PART NO.	DESCRIPTION	QTY.









## GRINDER ASSEMBLY, KNIFE

ITEM NO.	PART NO.	DESCRIPTION	QTY.
	2601004	INDEXING PLUNGER ASSY., (ITEMS 1 THRU 9)	
1	3601003	PLUNGER, INDEXING	1
2	6813073	SPRING, COMPRESSION, .600 O.D. X .556 I.D. X 1 3/4"	1
3	6710016	SCR., SOC. HD. CAP, # 10-24 X 5/8"	1
4	3406002	KNOB, INDEX PLUNGER	1
5	6516007	NUT, HEX, 3/8"- 16 (ZINC PLATED)	1
6	6626056	PIN, SPRING, 5/32" X 3/4"	1
7	3298028	HOUSING, INDEXING BELT DR.	1
8	6861500	WASHER, LOCK	2
9	6718010	SCR., HEX HD. CAP	2
	2277025	HEAD, JOINTING ASSY., (ITEMS 10 THRU 13)	
10	3244012	GIB, SHIM, JOINTING STONE	4
11	6714011	SCR., SOC. SET, FLAT HD., 1/4"-20 X 1/4"	4
12	6818000	STONE, WHEEL, DRESSING	1
13	3277003	HEAD, JOINTING	1
14	3096034	COLLAR, INDEXING, STANDARD CUTTERHEAD	1
15	3096105	COLLAR, INDEXING, STAGGER CUTTERHEAD	1
	2258013	GRINDER, KNIFE ASSY., (ITEMS 16 THRU 33)	
	2024011	ARBOR & GRINDER WHEEL ASSY., (ITEMS 16 THRU 23)	
16	6714006	SCR., SOC. SET, KNURLED CUP PT., 1/4"-20 X 3/16"	1
17	3301013	HUB, GRINDER WHEEL	1
18	6060003	BEARING, BALL, N.D. Z993L01	2
19	3741001	SPACER, GRINDER WHEEL, SHAFT	1
20	6900003	WHEEL, GRINDER, SIMONDS # WA46H8V2	1
21	3530004	NUT, GRINDER WHEEL HUB	1
22	3749201	SPINDLE, GRINDER	1
23	6622007	PIN, COTTER KEY, 3/32" X 3/16" X 3/4"	1
24	6077159	BELT, 3L-250	1
25	6307105	SHEAVE, # OK35 BROWNING, 1/2" BORE	1
26	6714004	SCR., SOC. SET, 1/4"-20 X 1/4"	1
27	6715018	SCR., SOC. SET, 5/16" - 18 X 5/8"	1
28	6714127	SCR., HEX HD., 1/4" - 20 X 1/2"	4
29	6861101	WASHER, FLAT, 1/4"	4
30	6473301	MOTOR, 1/3 HP, MARATHON	1
31	3063030	BRACKET, MOUNTING (KNIFE GRINDER)	1
32	6710015	SCR., SOC. HD. CAP, # 10 - 24 X 1/2"	2
33	3250041	GUARD, GRINDING WHEEL	1
	2040011	BAR ASSY., GRINDER (ITEMS 34 THRU 37)	
	2271006	HANDWHEEL ASSY., LEAD SCREW (ITEMS 34 THRU 37)	
34	6624006	PIN, GROOVE, STEEL, 1/4" X 3	1
35	3268201	HANDLE, NYLON MACHINE	1
36	3271049	HANDWHEEL, 6" DIA.	1
37	6715013	SCR., SOC. SET, CUP PT. 5/16"-X 3/8"	1
	2730008	SLIDE ASSY., VERT. ADJ. (ITEMS 39 THRU 41)	
38	3730009	SLIDE, GRINDER	1
39	6609004	FITTING, GREASE, STRAIGHT, 1/4" - 28 NPT, # 1641-B	1
40	6515007	NUT, HEX JAM, 5/16" - 18, ZINC PLATED	2
41	6715097	SCR., SQ. HD. 5/16" - 18 X 1 1/4"	2
42	3690214	SCREW, VERTICAL FEED	1
43	6715013	SCR., SOC. SET, CUP PT. 5/16" - 18 X 3/8"	1
44	3271007	HANDWHEEL, VERTICAL FEED	1
45	3055016	BLOCK, LEAD SCR. BEARING	1
46	6715023	SCR., SOC. HD. CAP, 5/16" - 18 X 1/2"	4
47	6714072	SCR., SQ. HD., 1/4" - 20 X 1	3
48	6514008	NUT, HEX JAM, 1/4" - 20	5
49	6714139	SCR., SOC. SET, KNURLED CUP PT., 1/4" - 20 X 5/8"	2
50	3601202	PLUNGER, CROSS FEED SLIDE SHIM	2
51	6813071	SPRING, SCHNORR, 11/16" X .382 X .0275 (BEVEL WASHER)	2
52	3244008	GIB, SHIM, CROSS FEED	1
53	2526002	NUT, ASSY., FEED SCREW (WELDMENT)	1
54	3044056	BAR, GRINDER	1
55	3691017	SCREW, CROSS FEED LEAD	1
56	3730002	SLIDE, GRINDER HORIZONTAL	1

## GRINDER ASSEMBLY, KNIFE

ITEM NO.	PART NO.	DESCRIPTION	QTY.
57	3244007	GIB, SHIM, VERTICAL FEED	1
58	6609002	FITTING, GREASE, 1/4" - 28 NPT, 45°, ALEMITE	
59	3063013	BRKT., BAR MTG., L.H.	1
60	6861309	WASHER, FLAT, 3/8"	7
61	6861300	WASHER, LOCK, 3/8"	4
62	6716039	SCR., HEX HD., 3/8" - 16 X 1 1/4"	7
63	6515007	NUT, HEX JAM, 5/16" - 18	2
64	6715097	SCR., SQ. HD., 5/16" - 18 X 1 1/4"	2
65	3063015	BRKT., BAR MTG., R.H.	1

Better By Design<sup>TM</sup>  
**POWERMATIC<sup>®</sup>** 

McMINNVILLE, TENNESSEE 37110 □ AC 615-473-5551



©STANWICH INDUSTRIES, INC.

MAY 1980

PPS-3771M