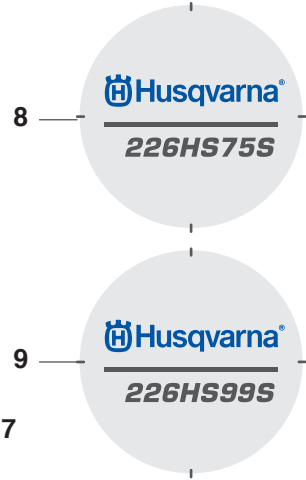
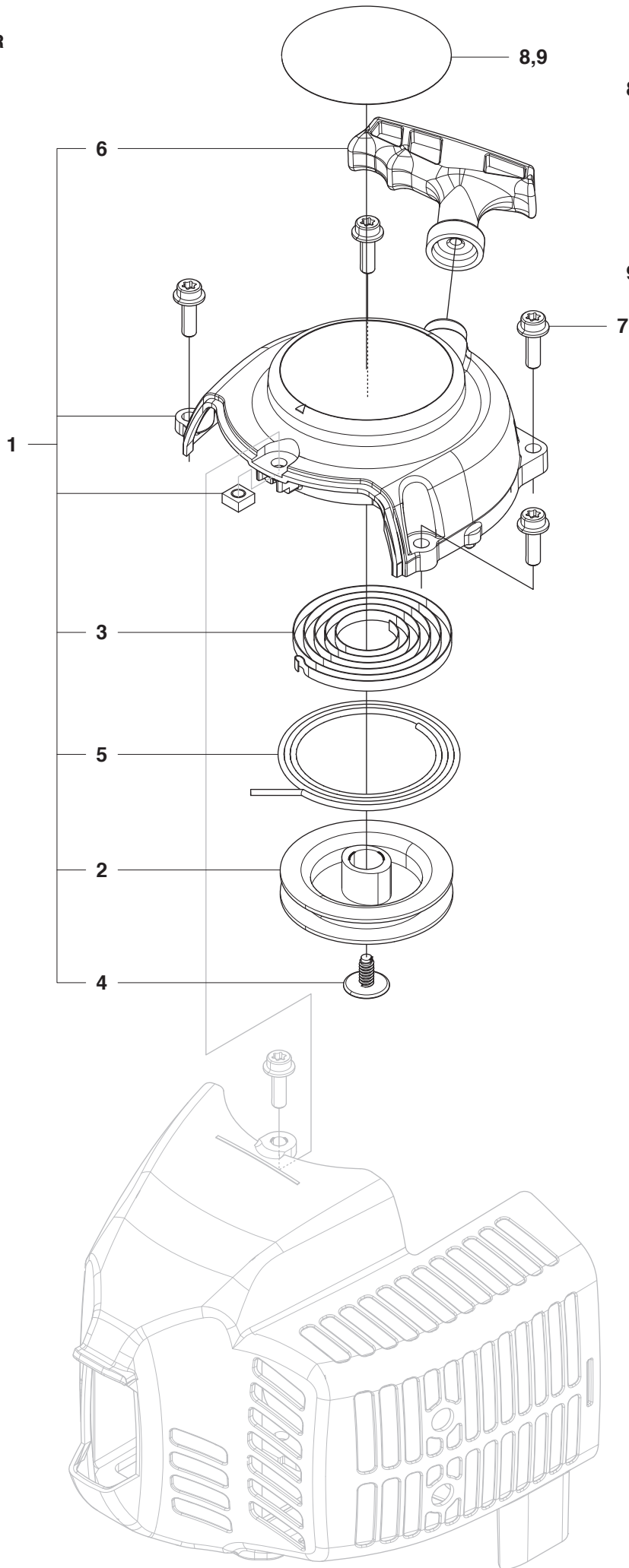


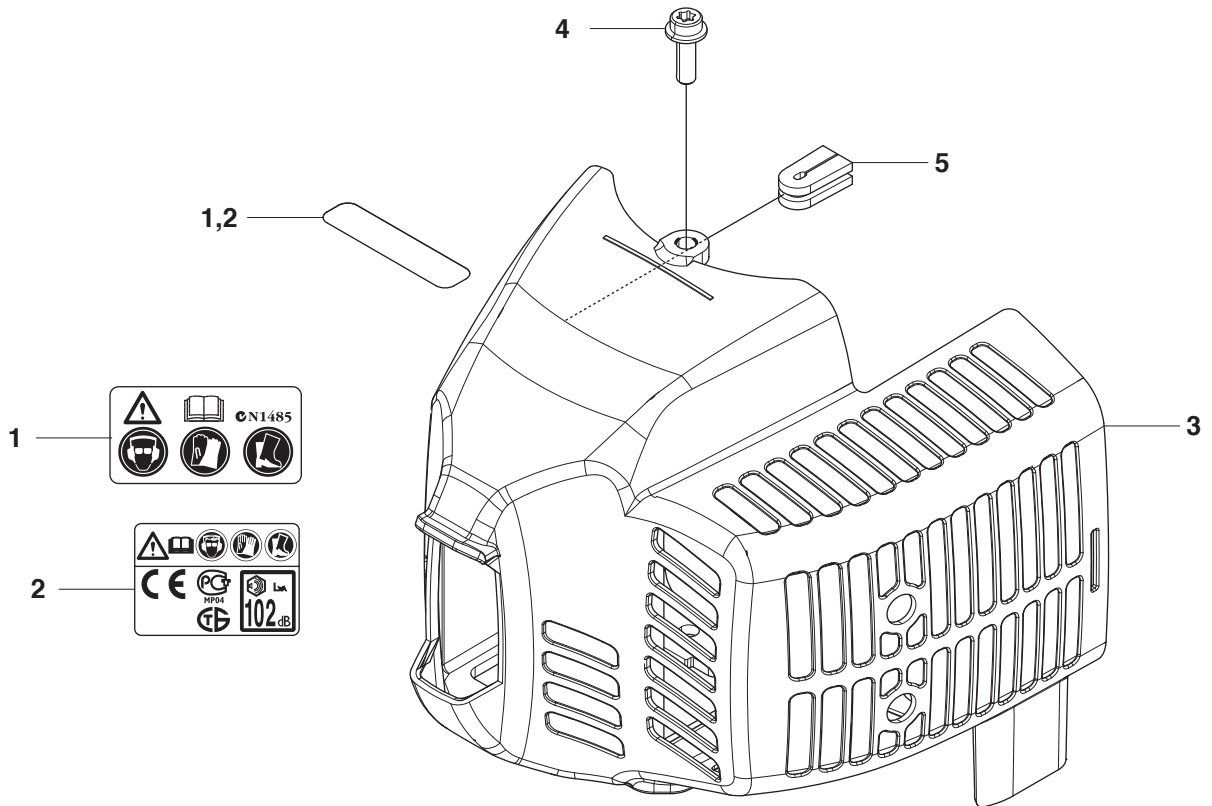
**A** 226HS  
STARTER



**Page A    226HS                    STARTER**

<b>Position</b>	<b>Article</b>	<b>Quantity</b>	<b>Notes</b>	<b>Kit</b>
1	506 65 72-01	1		
2	506 68 42-01	1		1
3	506 67 43-01	1		1
4	506 61 30-01	1		1
5	506 68 34-01	1		1
6	506 61 47-01	1		1
7	506 74 56-01	4		
8	528 05 05-01	1	226HS75S	
9	528 05 08-01	1	226HS99S	

**B** 226HS  
CYLINDER COVER

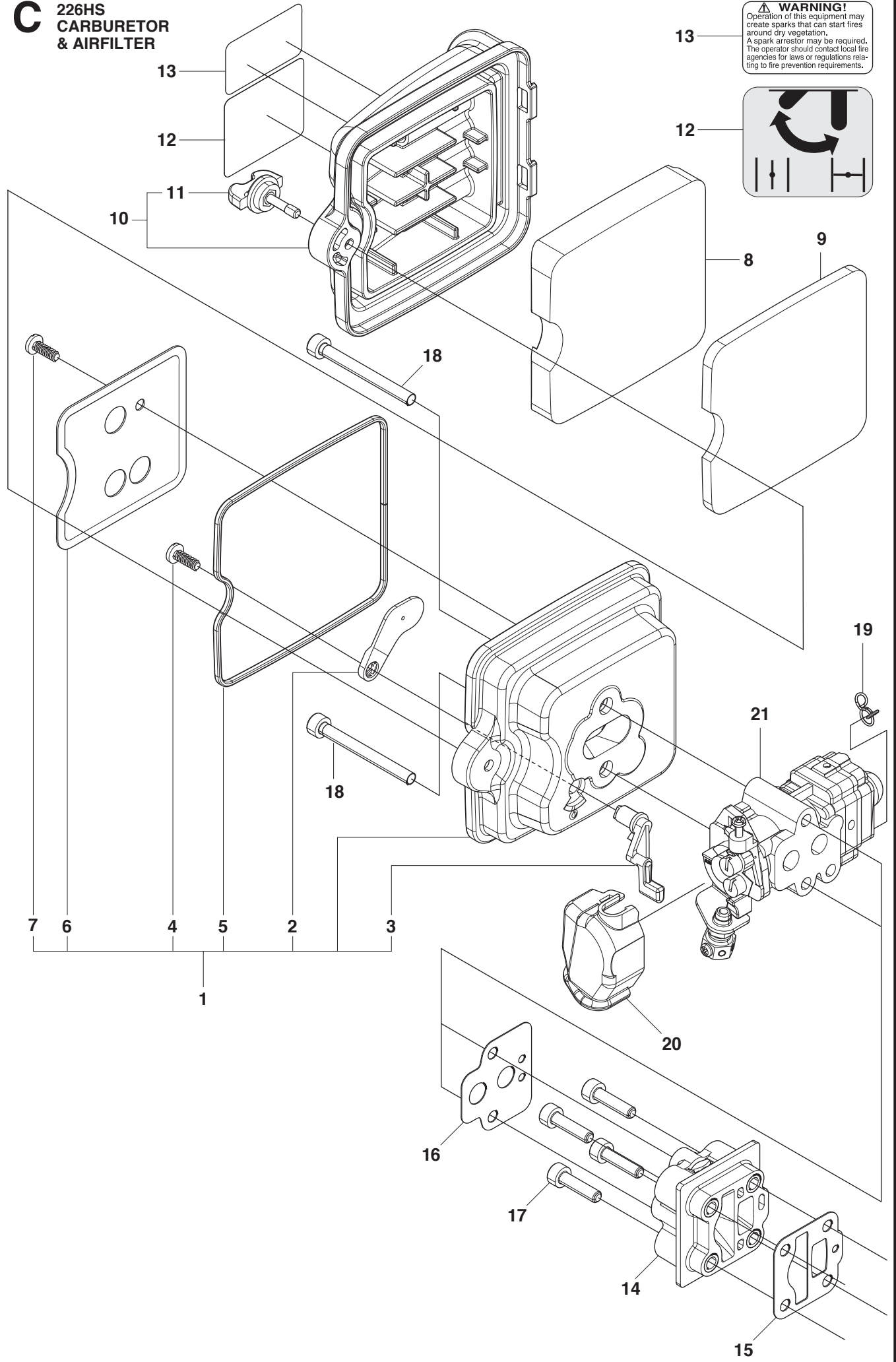
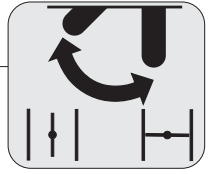


**Page B    226HS                    CYLINDER COVER**

<b>Position</b>	<b>Article</b>	<b>Quantity</b>	<b>Notes</b>	<b>Kit</b>
1	506 62 93-01	1	US only	
2	576 88 11-01	1	EU only	
3	506 65 70-01	1		
4	506 74 56-01	1		
5	506 61 59-01	1		

# C 226HS CARBURETOR & AIRFILTER

**⚠ WARNING!**  
Operation of this equipment may create sparks that can start fires around dry vegetation. A spark arrester may be required. The operator should contact local fire agencies for laws or regulations relating to fire prevention requirements.



Position	Article	Quantity	Notes	Kit
1	511 35 92-01	1		
2	506 68 43-01	1		1
3	521 76 05-01	1		1
4	506 67 38-01	1		1
5	521 75 13-01	1		1
6	521 60 79-01	1		1
7	506 67 38-01	1		1
8	523 09 00-01	1		
9	523 07 11-01	1		
10	523 07 12-01	1		
11	523 07 13-01	1		10
12	574 29 97-01	1		
13	523 07 14-01	1	US only	
14	511 34 97-01	1		
15	511 35 00-01	1		
16	521 75 50-01	1		
17	506 68 90-01	4		
18	504 11 65-01	2		
19	506 74 15-01	1		
20	506 74 42-01	1		
21	523 07 15-01	1		

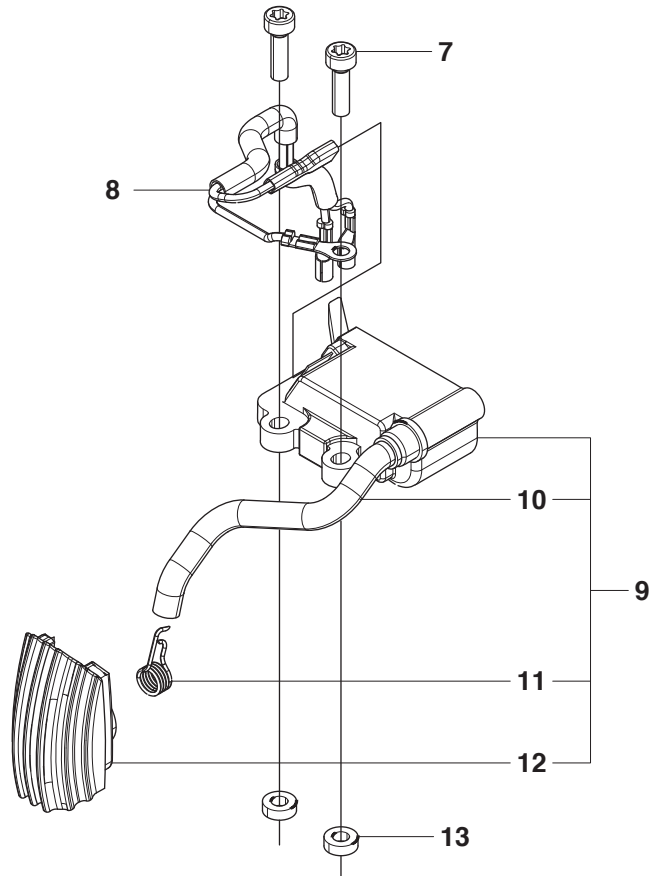
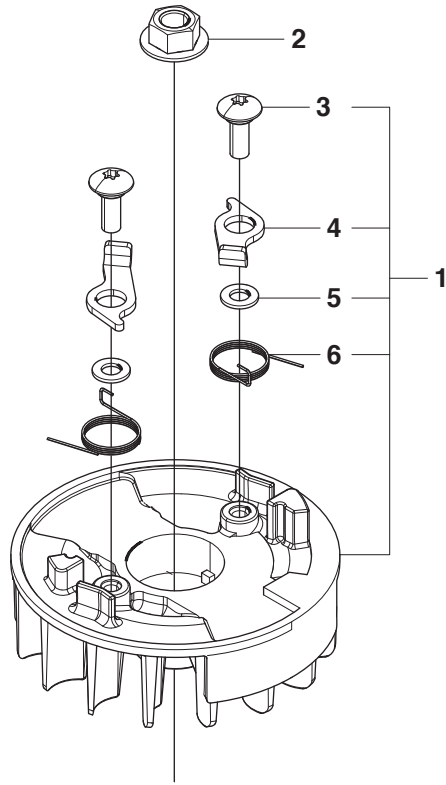


**Page D    226HS                    FUEL TANK**

<b>Position</b>	<b>Article</b>	<b>Quantity</b>	<b>Notes</b>	<b>Kit</b>
1	579 21 09-01	1	EU only	
1	506 65 67-01	1	US only	
2	506 68 41-01	2		1
3	505 30 96-01	1		1
4	515 36 94-01	1		1, 3
5	506 74 43-01	1		1, 3
6	506 74 68-01	1		1, 3
7	506 74 58-01	1		1, 3
8	579 13 83-08	1		1
9	506 61 46-01	1		1
10	506 70 70-01	1		1
11	506 74 56-01	3		



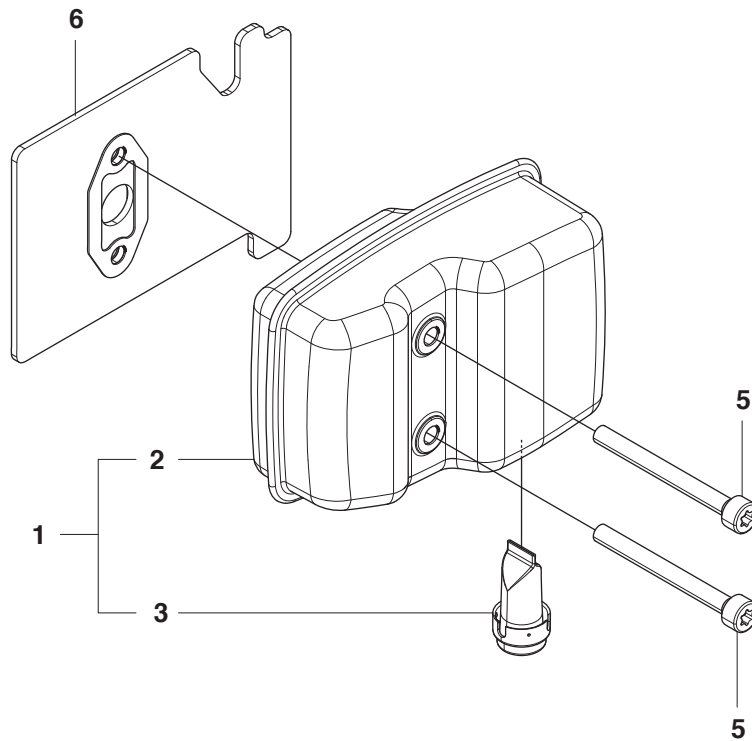
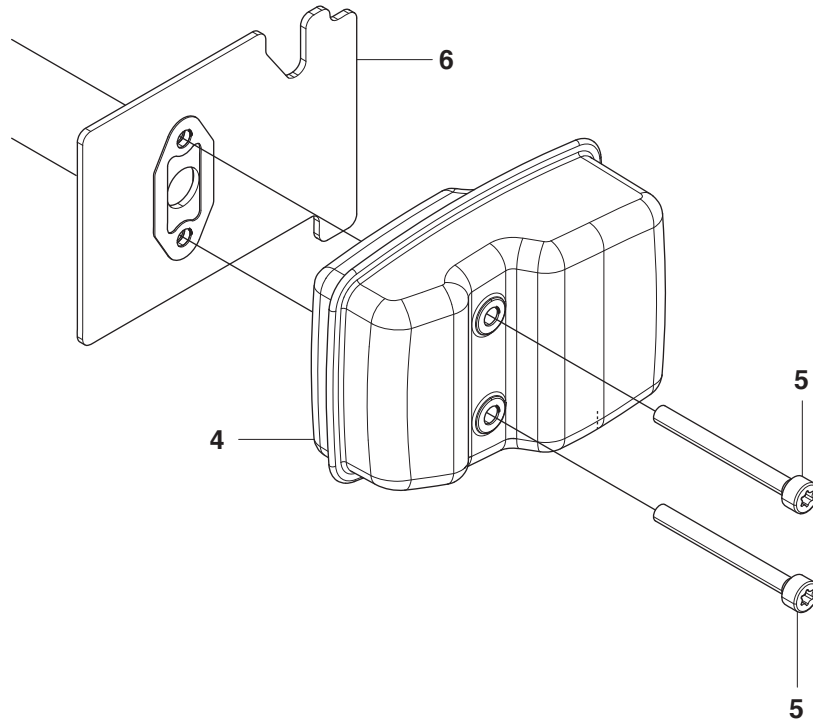
**E** 226HS  
IGNITION SYSTEM



**Page E    226HS                    IGNITION SYSTEM**

<b>Position</b>	<b>Article</b>	<b>Quantity</b>	<b>Notes</b>	<b>Kit</b>
1	506 65 60-01	1		
2	504 11 80-01	1		
3	506 61 43-01	2		1
4	506 61 41-01	2		1
5	506 61 44-01	2		1
6	521 74 71-01	2		1
7	506 74 57-01	2		
8	506 65 23-01	1		
9	506 65 61-01	1		
10	511 35 12-01	1		9
11	506 65 52-01	1		9
12	521 61 00-01	1		9
13	504 11 86-01	2		

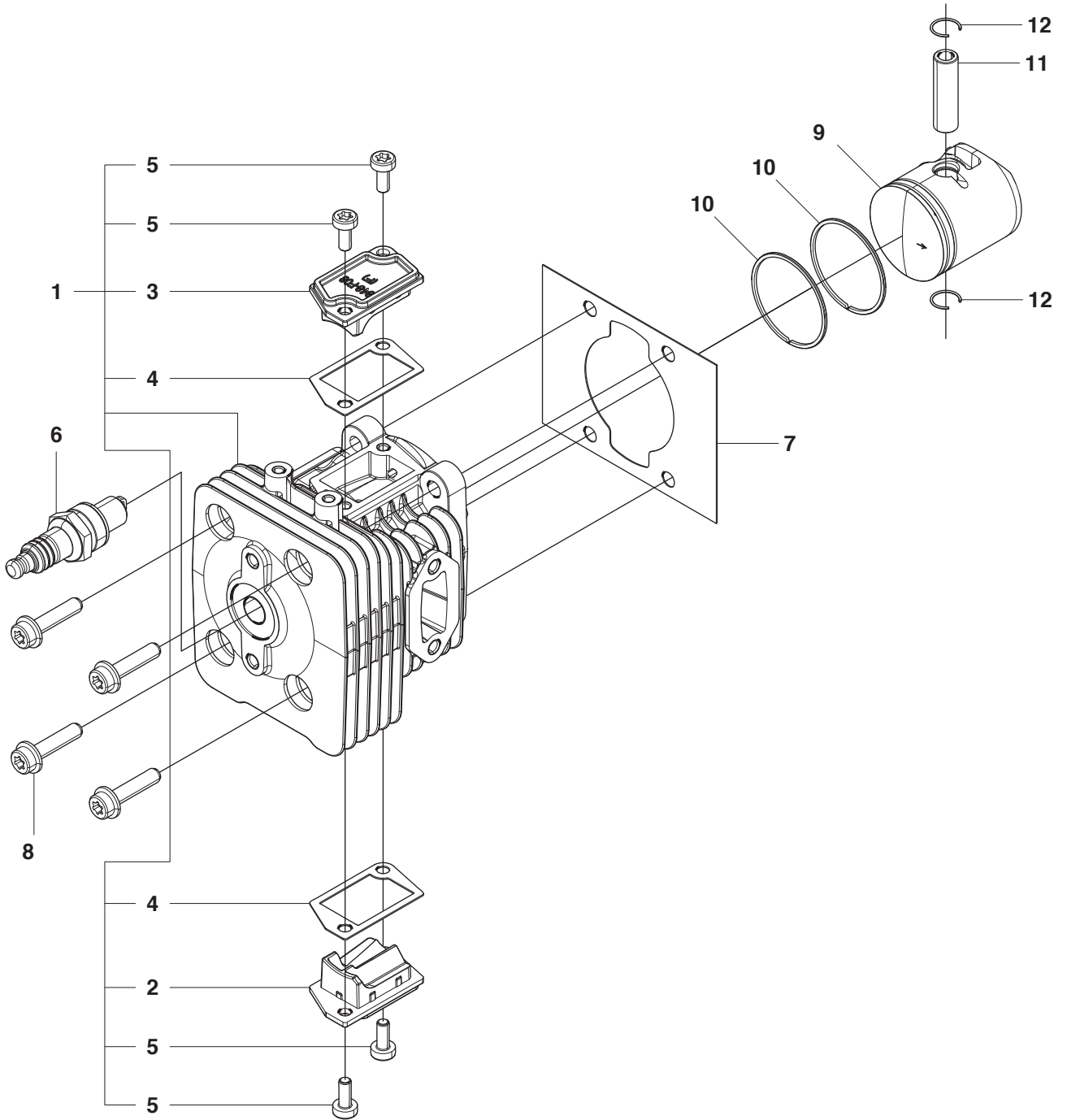
**F** 226HS  
MUFFLER



**Page F    226HS                    MUFFLER**

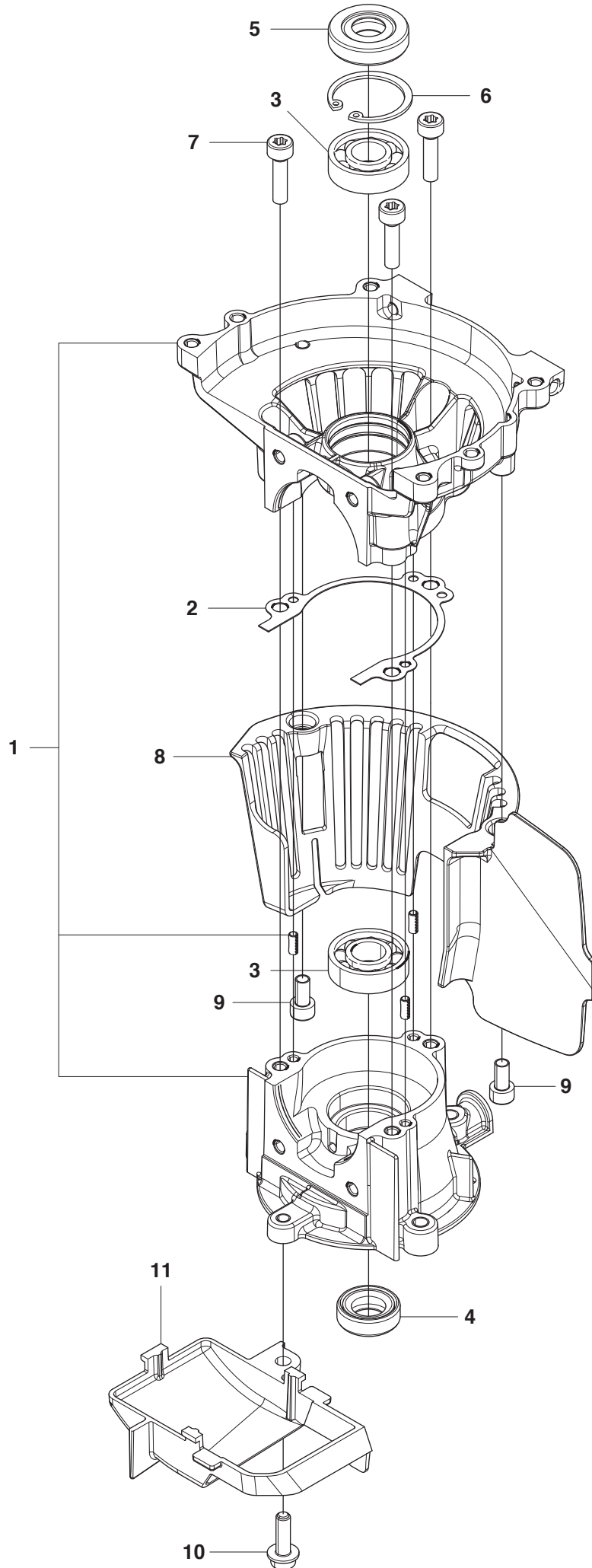
<b>Position</b>	<b>Article</b>	<b>Quantity</b>	<b>Notes</b>	<b>Kit</b>
1	506 65 68-01	1	US only	
2	506 65 69-01	1		1
3	506 61 56-01	1		1
4	523 07 16-01	1	EU only	
5	504 11 65-01	2		
6	506 65 56-01	1		

**G** 226HS  
CYLINDER & PISTON



<b>Position</b>	<b>Article</b>	<b>Quantity</b>	<b>Notes</b>	<b>Kit</b>
1	506 65 38-01	1		
2	506 65 41-02	1		1
3	506 65 42-02	1		1
4	506 65 43-01	2		1
5	504 11 92-01	4		1
6	506 61 51-01	1		
7	506 62 97-01	1		
8	506 74 52-01	4		
9	506 65 50-01	1		
10	506 61 81-01	2		
11	505 04 07-01	1		
12	505 04 52-01	2		

**H** 226HS  
CRANKCASE

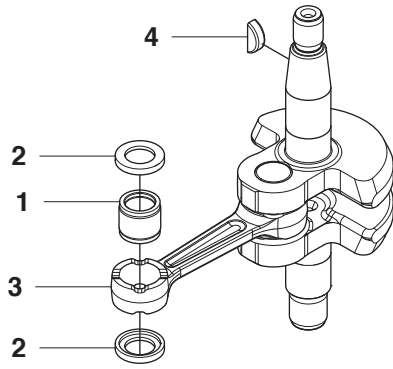


**Page H    226HS                    CRANKCASE**

<b>Position</b>	<b>Article</b>	<b>Quantity</b>	<b>Notes</b>	<b>Kit</b>
1	506 63 84-01	1		
2	506 68 48-01	1		
3	506 61 03-01	2		
4	504 12 15-01	1		
5	506 61 29-01	1		
6	506 60 99-01	1		
7	504 11 43-01	3		
8	506 62 96-01	1		
9	504 11 96-01	2		
10	506 74 56-01	1		
11	506 65 71-01	1		

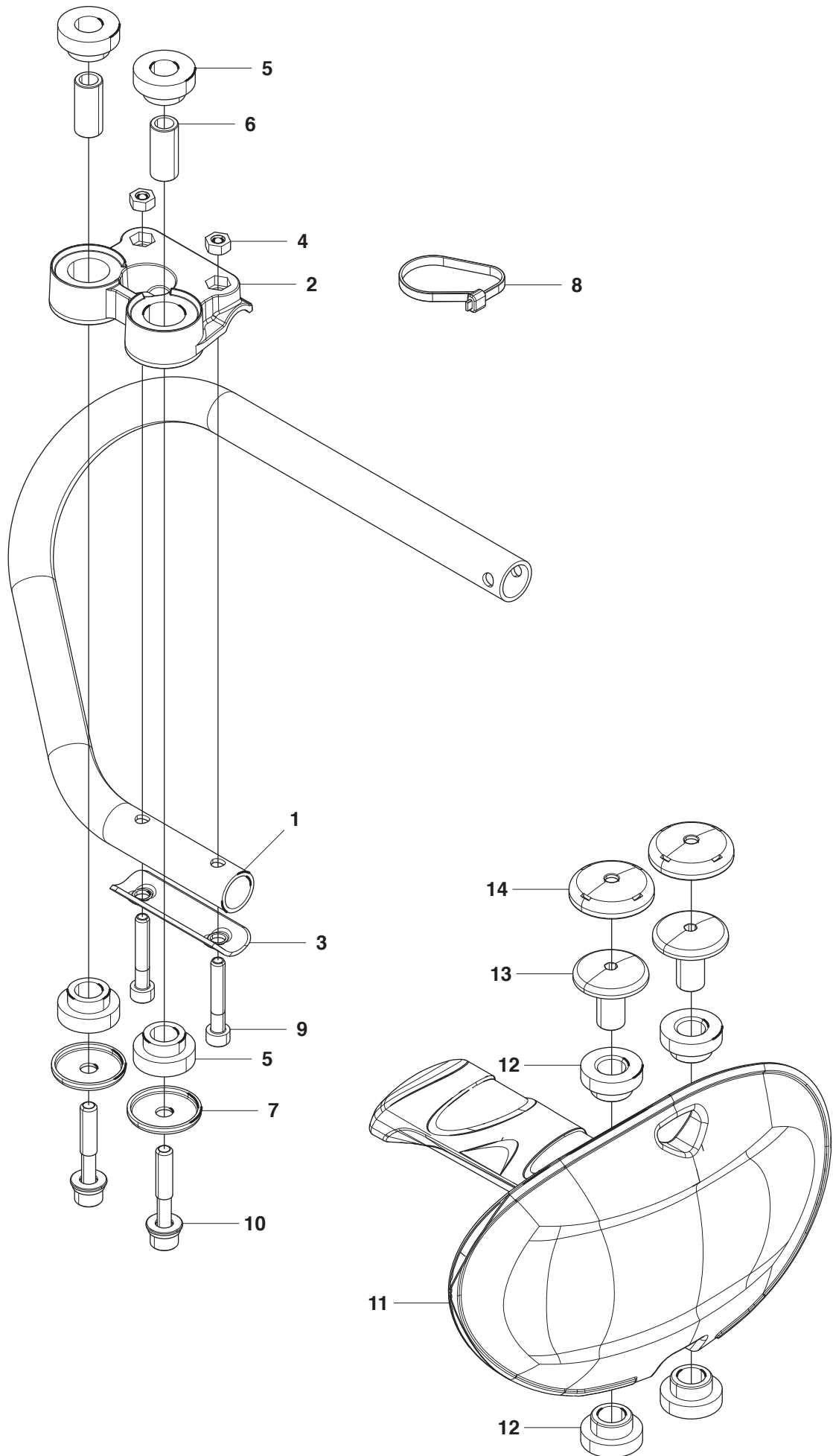


**J** 226HS  
CRANK SHAFT



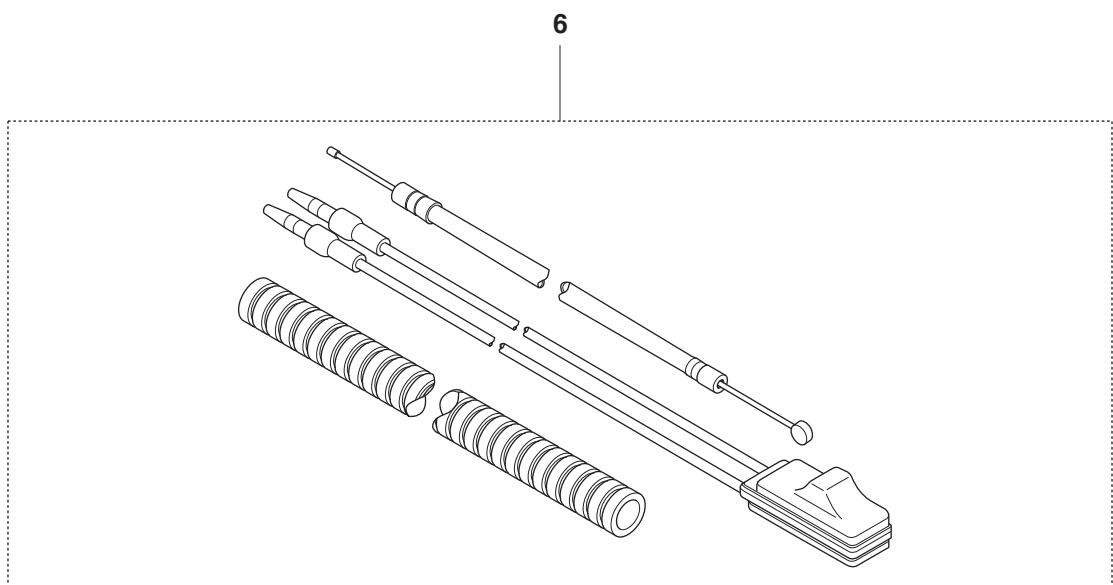
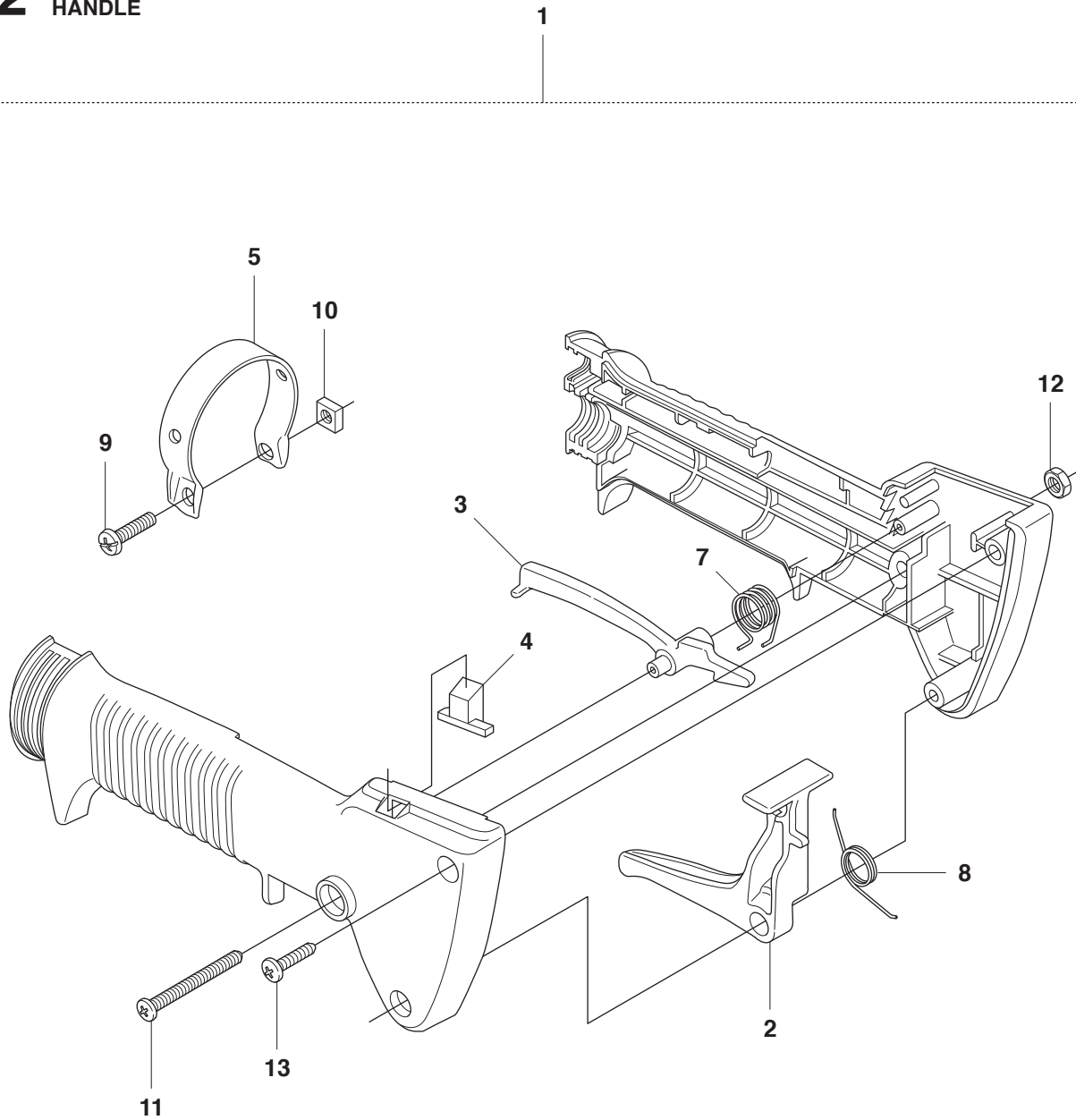
<b>Position</b>	<b>Article</b>	<b>Quantity</b>	<b>Notes</b>	<b>Kit</b>
1	506 68 50-01	1		
2	505 04 10-01	2		
3	506 65 18-01	1		
4	506 68 94-01	1		

**K1** 226HS  
HANDLE



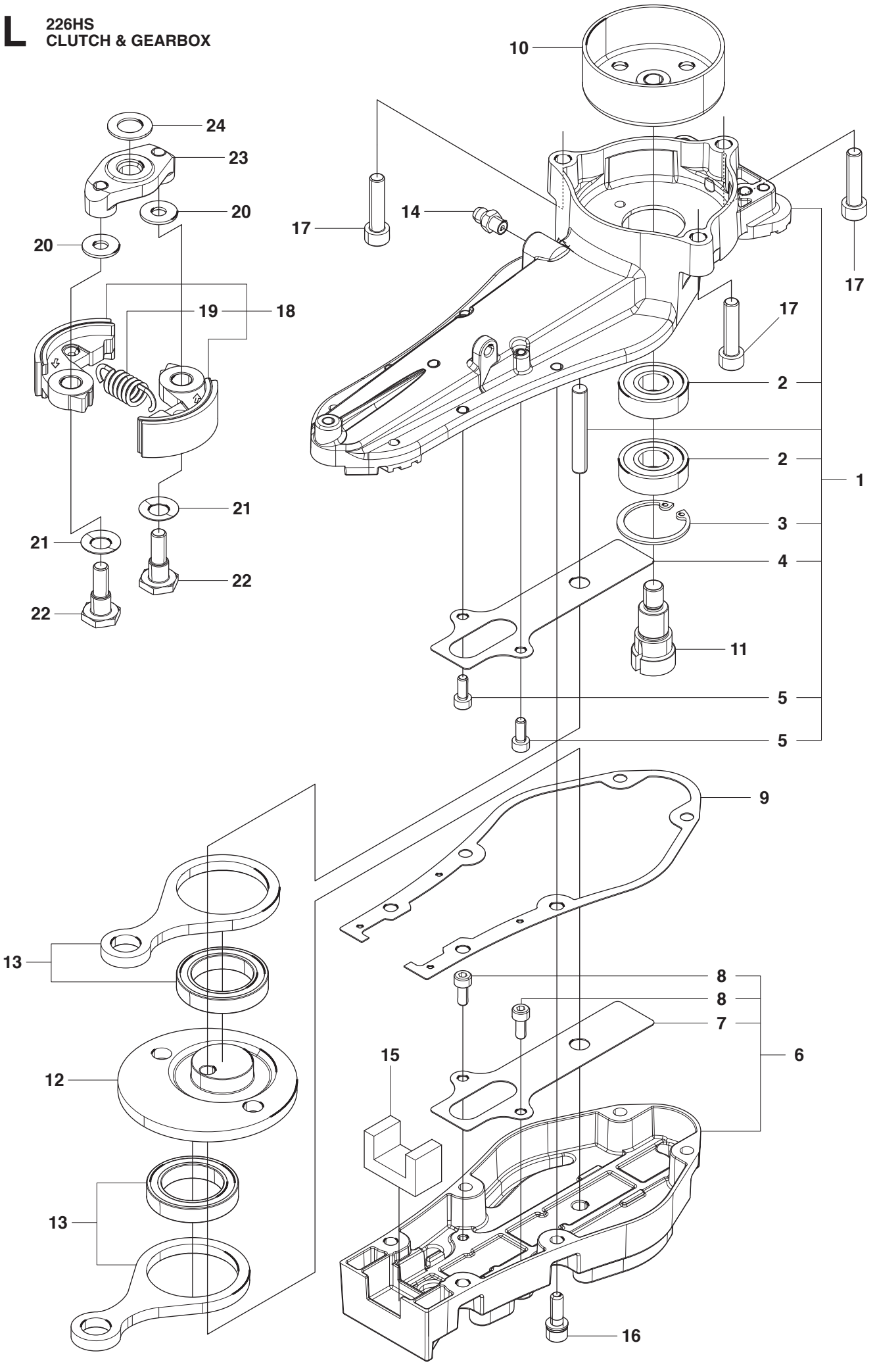
Position	Article	Quantity	Notes	Kit
1	506 68 72-01	1		
2	506 68 73-01	1		
3	506 68 74-01	1		
4	505 17 23-01	2		
5	506 68 65-01	4		
6	506 68 71-01	2		
7	506 68 68-01	2		
8	506 61 05-01	1		
9	506 60 94-01	2		
10	506 61 49-01	2		
11	506 62 91-01	1		
12	506 62 76-01	4		
13	506 68 66-01	2		
14	506 68 67-01	2		

**K2** 226HS  
HANDLE



<b>Position</b>	<b>Article</b>	<b>Quantity</b>	<b>Notes</b>	<b>Kit</b>
1	506 68 70-01	1		
2	506 61 16-01	1		1
3	506 61 17-01	1		1
4	506 61 73-01	1		1
5	506 61 18-01	1		1
6	506 68 69-01	1		1
7	506 61 19-01	1		1
8	506 61 20-01	1		1
9	506 60 97-01	1		1
10	506 61 21-01	1		1
11	506 60 96-01	1		1
12	575 52 11-01	1		1
13	506 61 23-01	1		1

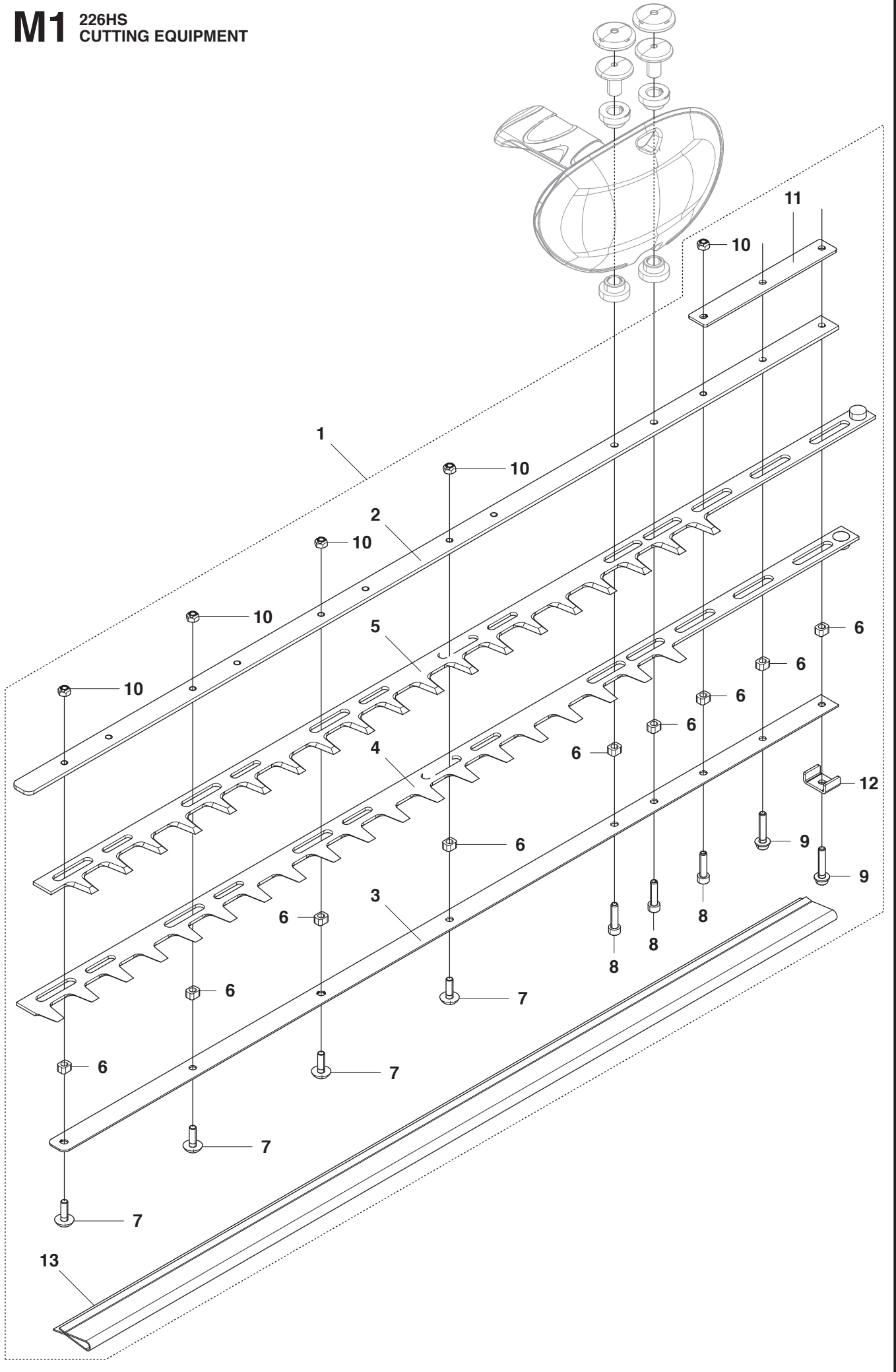
**L** 226HS  
CLUTCH & GEARBOX



Position	Article	Quantity	Notes	Kit
1	506 61 99-01	1		
2	529 26 98-01	2		1
3	506 60 99-01	1		1
4	506 62 69-01	1		1
5	506 68 88-01	2		1
6	506 62 28-01	1		
7	506 62 69-01	1		6
8	506 68 88-01	2		6
9	506 68 83-01	1		
10	506 61 95-01	1		
11	506 62 72-01	1		
12	506 68 87-01	1		
13	506 68 85-01	2		
14	505 17 15-01	1		
15	506 68 89-01	1		
16	506 61 79-01	6		
17	506 60 95-01	3		
18	506 62 94-01	1		
19	506 68 58-01	1		18
20	505 05 44-01	2		
21	506 61 38-01	2		
22	506 65 22-01	2		
23	506 65 21-01	1		
24	506 61 42-01	1		



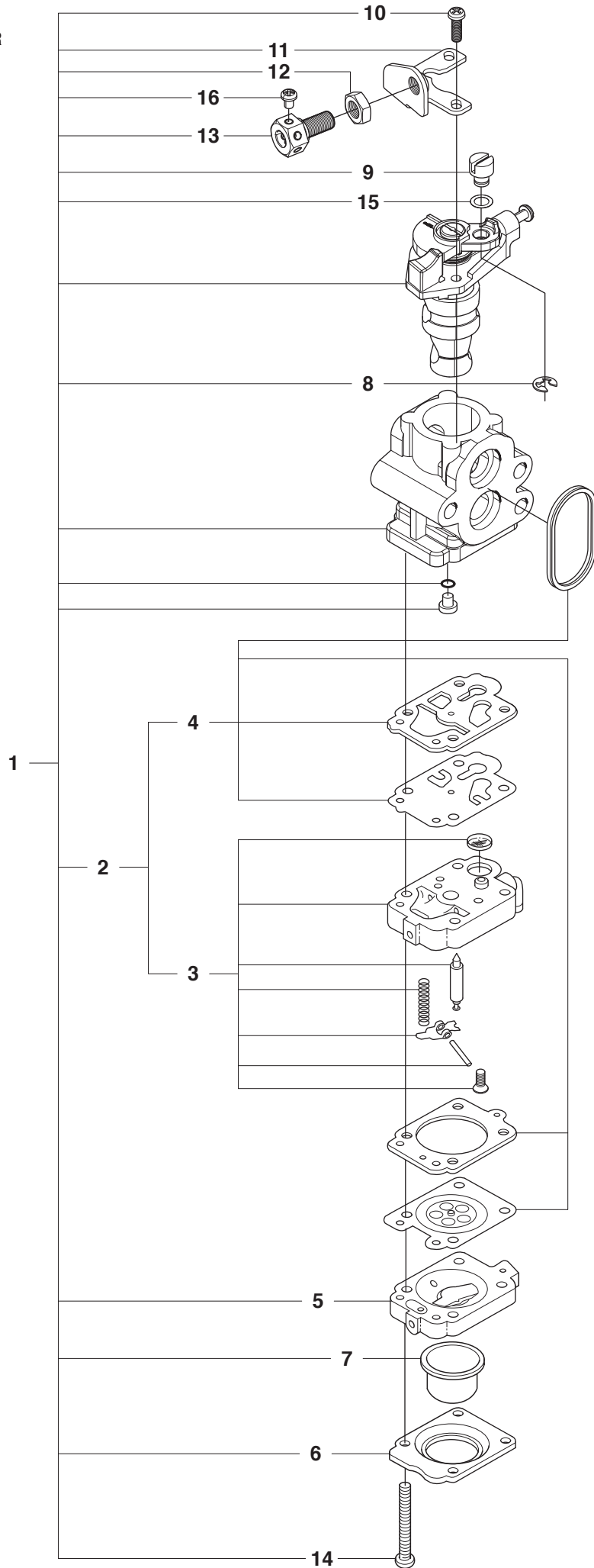
**M1** 226HS  
CUTTING EQUIPMENT



**Page M1 226HS75S CUTTING EQUIPMENT**

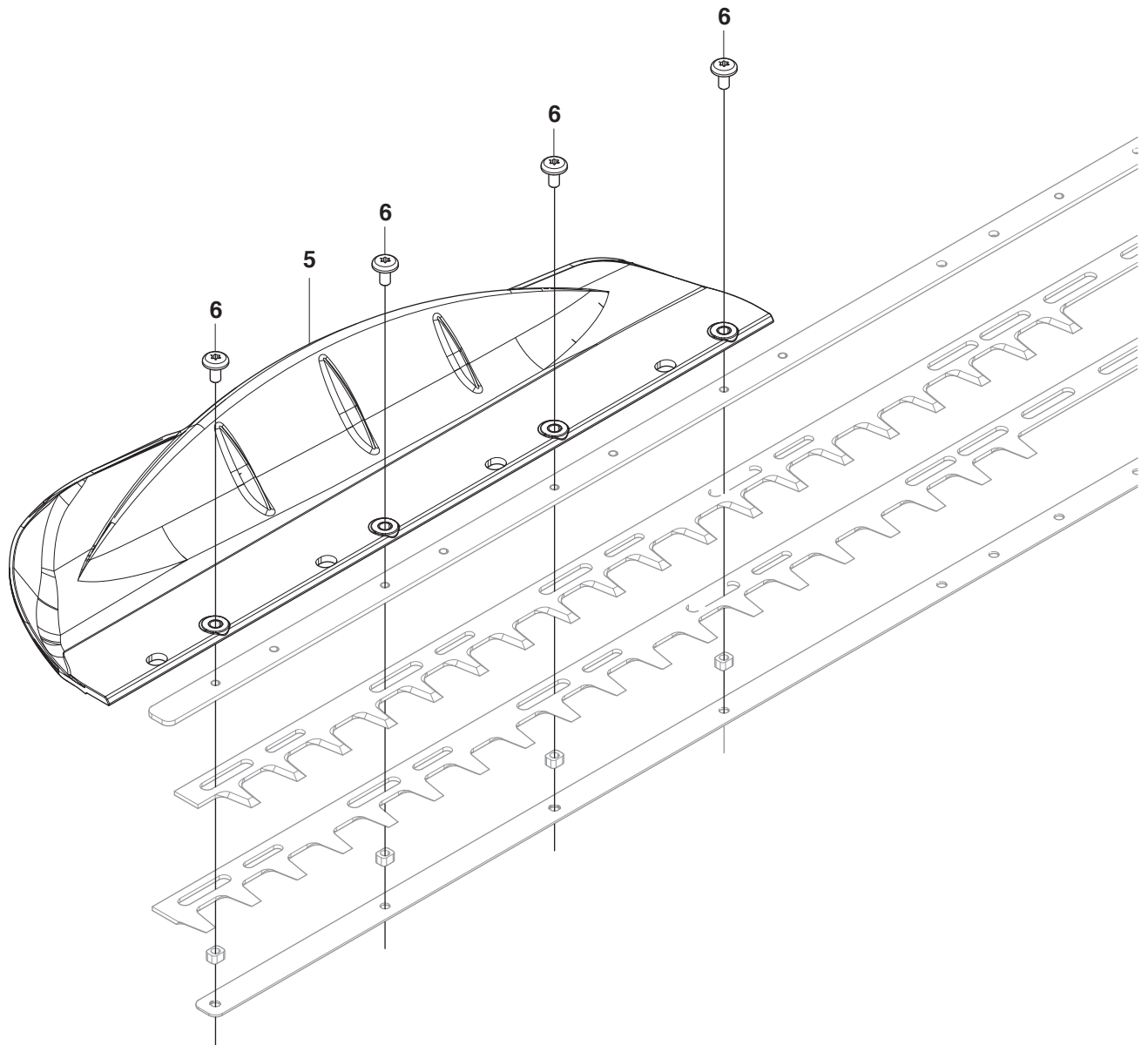
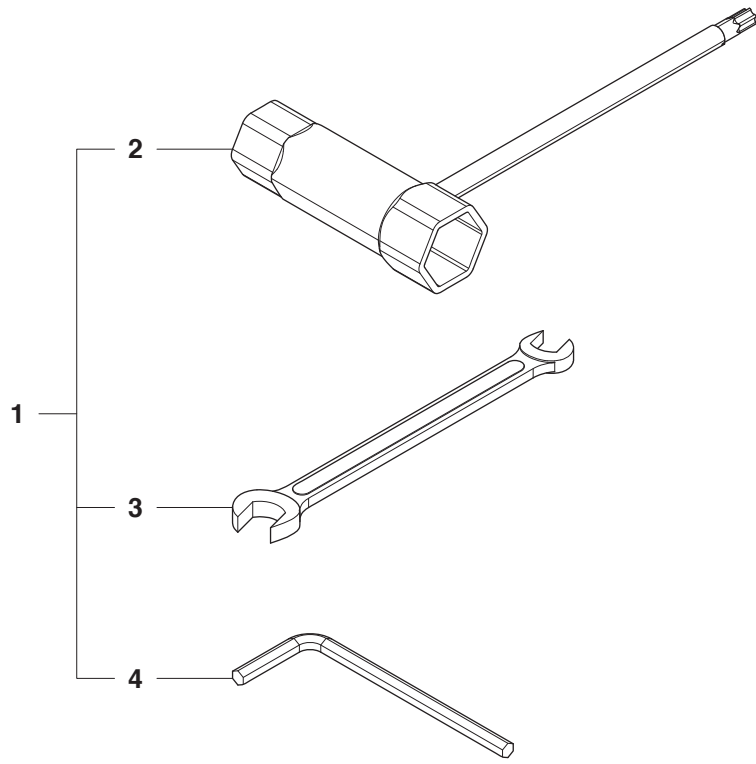
<b>Position</b>	<b>Article</b>	<b>Quantity</b>	<b>Notes</b>	<b>Kit</b>
1	506 62 77-01	1		
2	506 68 79-01	1		1
3	506 68 80-01	1		1
4	506 62 78-01	1		1
5	506 62 79-01	1		1
6	506 68 76-01	9		1
7	506 68 75-01	4		1
8	506 60 93-01	3		1
9	506 61 80-01	2		1
10	506 68 78-01	5		1
11	506 68 82-01	1		1
12	506 62 74-01	1		1
13	506 68 81-01	1		1

**N** 226HS  
CARBURETOR



Position	Article	Quantity	Notes	Kit
1	523 07 15-01	1		
2	528 07 01-01	1		1
3	502 23 84-01	1		1, 2
4	515 37 87-01	1		1, 2
5	506 74 09-01	1		1
6	506 74 10-01	1		1
7	505 30 67-01	1		1
8	506 73 86-01	1		1
9	506 74 12-01	1		1
10	505 30 79-01	2		1
11	506 74 60-01	1		1
12	506 61 26-01	1		1
13	505 30 82-01	1		1
14	506 74 11-01	4		1
15	506 74 60-01	1		1
16	505 30 83-01	1		1

**P** 226HS  
ACCESSORIES



**Page P    226HS                    ACCESSORIES**

<b>Position</b>	<b>Article</b>	<b>Quantity</b>	<b>Notes</b>	<b>Kit</b>
1	506 61 84-01	1		
2	506 68 61-01	1		1
3	506 61 50-01	1		1
4	505 31 19-01	1		1
5	506 62 92-01	1		
6	506 68 77-01	4		