



SERVICE PARTS LIST

BUL.54-30-0200

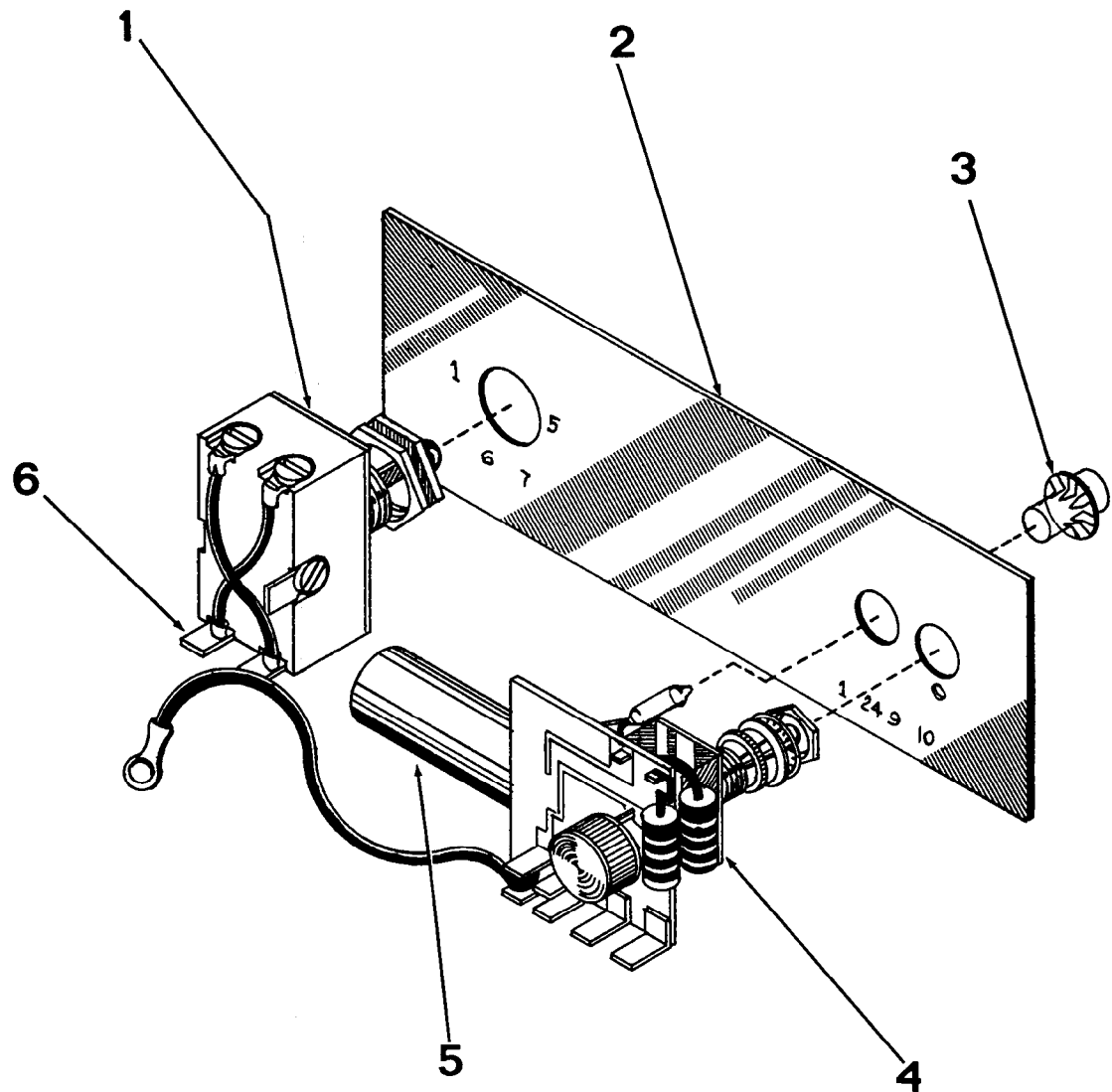
MAG STAND CONTROL PANEL

Cat.No. 23-35-0101

Starting
Serial No.

Both Model and Serial No. must be furnished to obtain correct parts.

REVISED BUL 6401-1	DATE Feb. '68
WIRING INSTR.	



ILLUSTRATED PARTS

FIG.	PART NO.	DESCRIPTION OF PART	FIG.	PART NO.	DESCRIPTION OF PART	NO.REQ.
1	23-66-0340	Switch	4	14-46-0380	Control Assy.	
2	44-66-5200	Control Panel Name Plate	5	22-33-0180	Capacitor	
3	23-26-0060	Neon Indicator Bulb	6	23-74-0260	Terminal	(3)