

SPECIFY CATALOG NO. AND SERIAL NO. WHEN ORDERING PARTS

REVISED BULLETIN

DATE
Aug. 2010

MAG STAND CONTROL PANEL

CATALOG NO. 23-35-0310

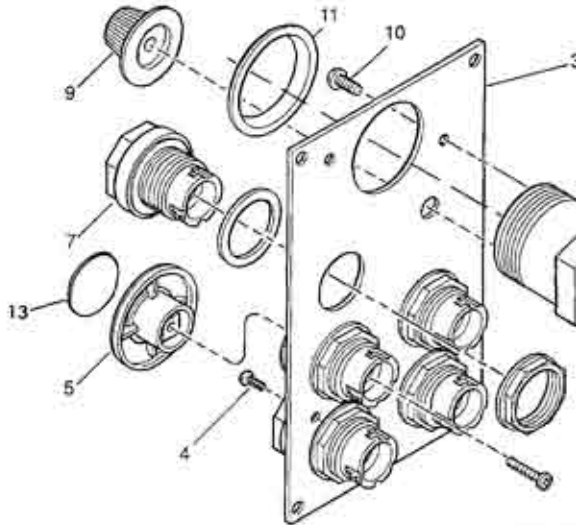
SERIAL
NUMBER

WIRING INSTRUCTION
SEE BELOW

00
0

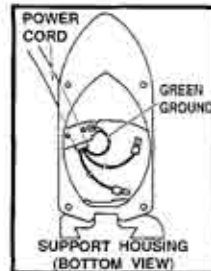
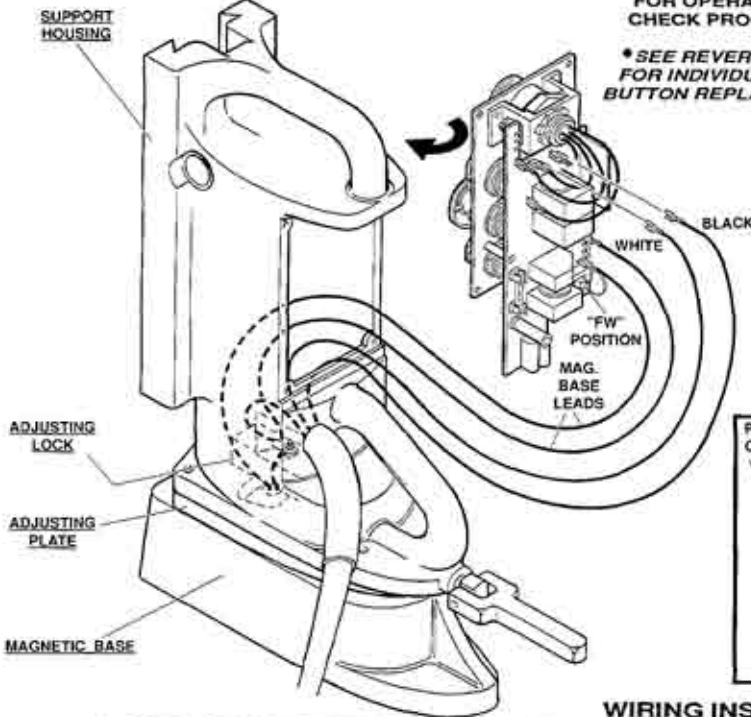
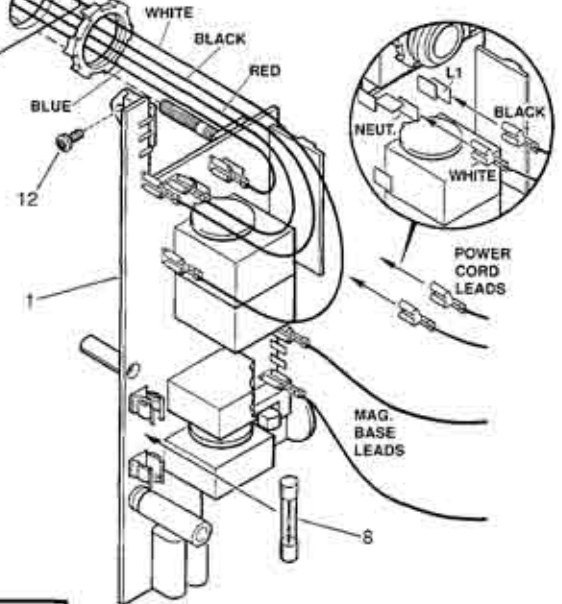
EXAMPLE:
Component Parts (Small #) Are Included
When Ordering The Assembly (Large #).

FIG.	PART NO.	DESCRIPTION OF PART	NO. REQ.
1		Circuit Board Assembly	(1)
2	23-33-0460	Receptacle Assembly	(1)
3	44-66-0910	Panel Plate Assembly	(1)
4	06-82-5266	4-40 x 1/4" Pan Hd. Taprite T-10	(3)
5	42-42-0385	"DRILL OFF" Button	(1)
6	42-36-1770	Receptacle Bracket	(1)
7	42-42-0420	Switch Button Kit	(1)
8	22-89-0210	1.2 Amp Slo-Blow Fuse	(1)
9	23-18-0080	Speed Dial	(1)
10	06-82-7252	8-32 x 3/8" Pan Hd. Sl. Tapt. T-20	(2)
11	45-06-0650	Receptacle Seal	(1)
12	06-81-8650	6-32 x 1/4" Rd. Hd. Sems	(1)
13	10-98-0220	"DRILL OFF" Label	(1)



SEE REVERSE SIDE
FOR OPERATIONAL
CHECK PROCEDURE

*SEE REVERSE SIDE
FOR INDIVIDUAL PUSH
BUTTON REPLACEMENTS



Wire Color	Part Number
Black	23-74-0970
White	23-74-0970
Green	23-74-0320

WIRING INSTRUCTIONS

- ROUTE TWO MAGNETIC BASE LEADS (RED WIRES WITH YELLOW SLEEVING) THROUGH ADJUSTING PLATE AND PAST ADJUSTING LOCK MECHANISM, ONE ON EACH SIDE. MAKE SURE SLEEVING IS NOT ABRADED DURING ROUTING.
- SECURE LINE CORD IN SUPPORT HOUSING.
- ATTACH GROUND TERMINAL TO SUPPORT HOUSING WITH GROUND SCREW. POSITION GROUND WIRE TERMINAL SO IT CAN SET FLAT AGAINST HOUSING BEFORE SECURING.
- AFTER ASSEMBLING SUPPORT HOUSING TO ADJUSTING PLATE, ROUTE MAGNETIC BASE AND LINE CORD WIRES AS SHOWN.
- PUSH TERMINAL FROM WHITE LEAD ONTO PANEL TERMINAL MARKED "NEUT". PUSH TERMINAL FROM BLACK LEAD ONTO PANEL TERMINAL MARKED "L1".
- PUSH TERMINALS FROM MAGNETIC BASE WIRES ONTO PANEL TERMINALS LABELED "J3" AND "J4".
NOTE: LEADS FROM MAGNETIC BASE CAN GO TO THE PANEL TERMINALS IN ANY ORDER. BE SURE TO CHECK THAT SLIDE SWITCH IS IN "FW" POSITION.
- PUSH THE BUNDLE OF WIRES DOWNWARD AND INSTALL CONTROL PANEL ONTO HOUSING.

MILWAUKEE ELECTRIC TOOL CORPORATION
13135 W. LISBON RD., BROOKFIELD, WI 53005