



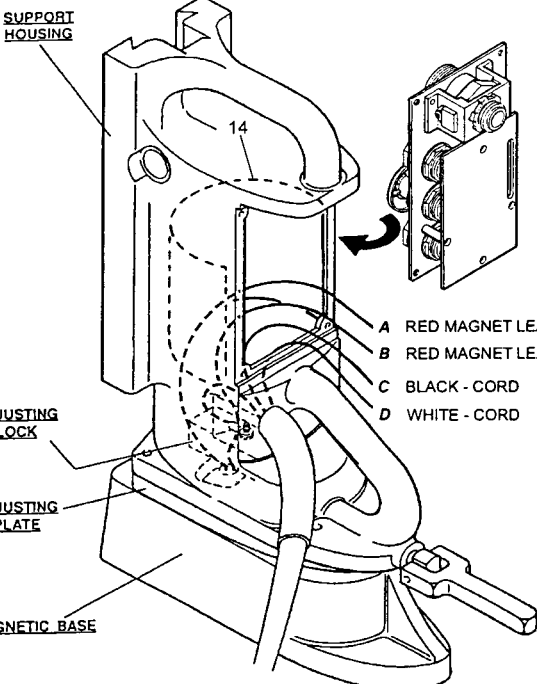
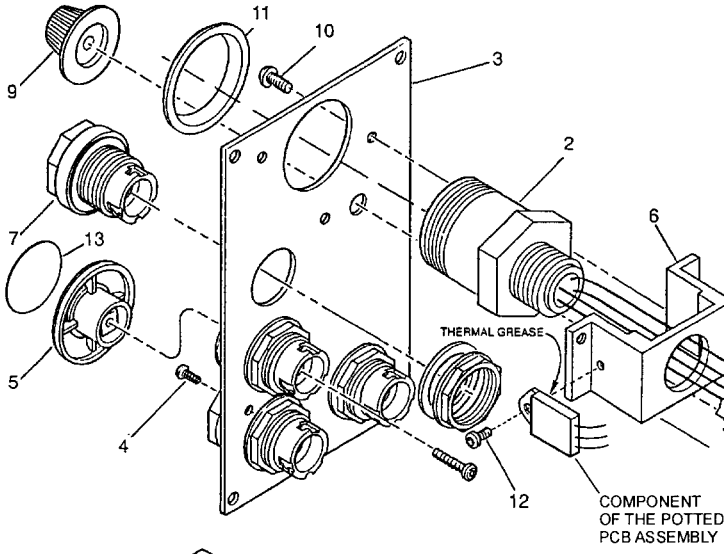
SERVICE PARTS LIST

BULLETIN NO.
54-30-0175

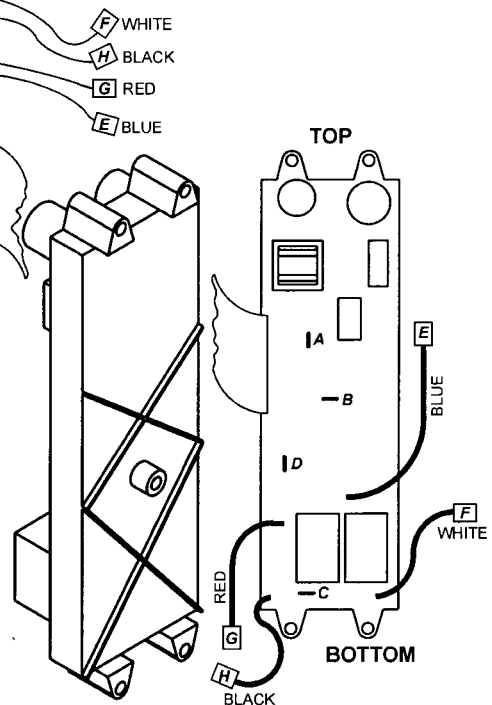
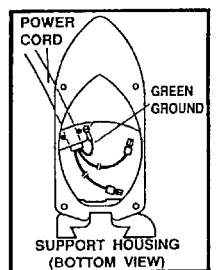
SPECIFY CATALOG NO. AND SERIAL NO. WHEN ORDERING PARTS		REVISED BULLETIN	DATE
MAG STAND CONTROL PANEL			Mar. '99
CATALOG NO. 23-35-0321	SERIAL NUMBER	WIRING INSTRUCTION SEE BELOW	

EXAMPLE:
00 0
Component Parts (Small #) Are Included
When Ordering The Assembly (Large #).

FIG.	PART NO.	DESCRIPTION OF PART	NO. REQ.
1	-----	Circuit Board Assembly	(1)
2	23-33-0495	Receptacle Assembly	(1)
3	44-66-0810	Panel Plate Assembly	(1)
4	06-82-5268	4-40 x 3/8" Pan Hd. Taptite T-9	(4)
5	42-42-0385	Drill "OFF" Button	(1)
6	42-36-1770	Receptacle Bracket	(1)
7	-----	Switch Button	(1)
	42-42-0405	Push Button - Green (Solid)	(1)
	42-42-0400	Push Button - Yellow (Solid)	(1)
	42-42-0440	Push Button - White (Clear)	(1)
	42-42-0450	Push Button - Push Button Blank	(1)
9	23-18-0080	Speed Dial	(1)
10	06-82-7252	8-32 x 3/8" Pan Hd. Sit. Tapt. T-20	(2)
11	45-06-0650	Receptacle Seal	(1)
12	06-81-8650	6-32 x 1/4" Rd. Hd. Sems	(1)
13	10-98-0225	"Drill-OFF" Label	(1)
14	23-16-1580	Panel Insulator	(1)



WIRING INSTRUCTIONS



**SEE REVERSE SIDE
BEFORE WIRING FOR
IMPORTANT NOTES
AND OPERATIONAL
CHECK PROCEDURE**

- ROUTE TWO MAGNETIC BASE LEADS (RED WIRES WITH YELLOW SLEEVING) THROUGH ADJUSTING PLATE AND PAST ADJUSTING LOCK MECHANISM, ONE ON EACH SIDE. MAKE SURE SLEEVING IS NOT ABRADED DURING ROUTING.
- SECURE LINE CORD IN SUPPORT HOUSING.
- ATTACH GROUND TERMINAL TO SUPPORT HOUSING WITH GROUND SCREW. POSITION GROUND WIRE TERMINAL AS SHOWN, SO IT CAN SET FLAT AGAINST HOUSING BEFORE SECURING.
- ATTACH THE BLACK AND WHITE LEADS FROM LINE CORD, AS SHOWN.
- ATTACH THE LEADS FROM THE MAGNETIC BASE, AS SHOWN. **NOTE:** THE LEADS FROM THE MAGNETIC BASE CAN BE ATTACHED TO THE PANEL IN EITHER LOCATION.
- ATTACH THE POTTED PCB ASSEMBLY TO THE SUPPORT HOUSING.
- GENTLY PUSH THE BUNDLE OF WIRES DOWNWARD AND INSTALL THE CONTROL PANEL INTO THE HOUSING. AVOID PINCHING WIRES OR THE RIBBON CABLE AS THE CONTROL PANEL IS BEING INSTALLED.

MILWAUKEE ELECTRIC TOOL CORPORATION
13135 W. LISBON RD., BROOKFIELD, WI 53005