



SERVICE PARTS LIST

BUL.54-12-6050

1-1/4" ELECTRIC DRILL

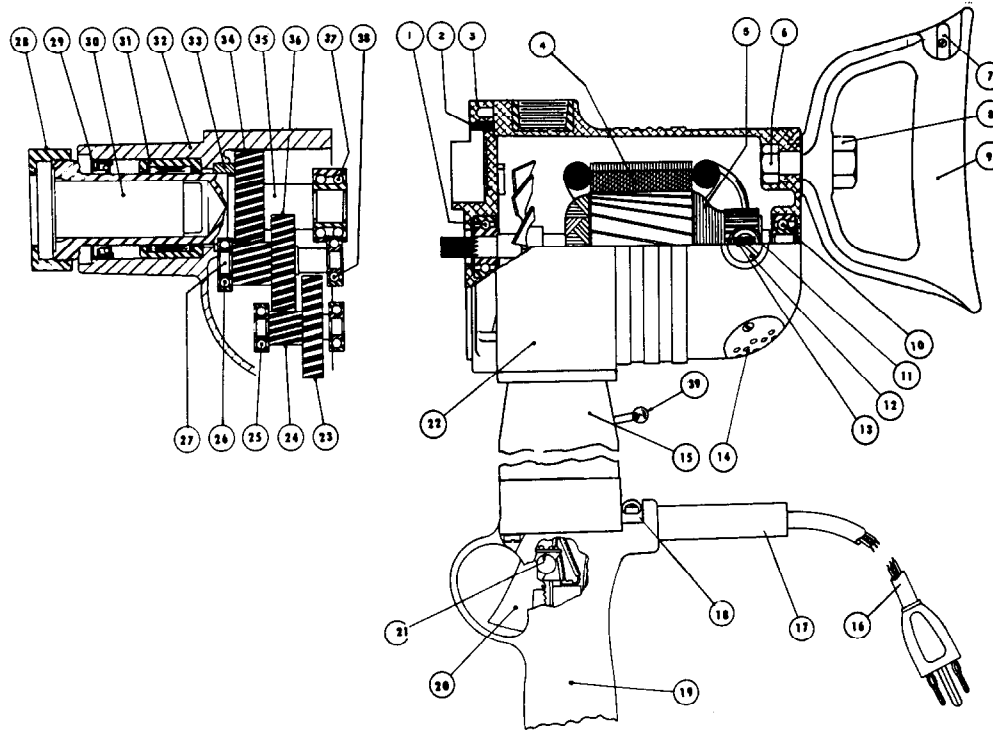
REVISED BUL 6171--1 DATE Feb. '68

Catalog No. 2400-1

Starting Serial No. 171-1001

WIRING INSTR. 58-01-0270

Both Model and Serial No. must be furnished to obtain correct parts.



ILLUSTRATED PARTS

| FIG. | PART NO. | DESCRIPTION OF PART | FIG. | PART NO. | DESCRIPTION OF PART |
|------|------------|--|------|------------|-------------------------------|
| 1 | 02-04-1140 | Ball Bearing | 20 | 23-66-0330 | Switch |
| 2 | 45-30-0070 | Ball Brg. Retaining Slug (3) | 21 | 42-36-0230 | Switch Bracket |
| 3 | 28-28-1181 | Diaphragm | 22 | 28-50-4161 | Motor Housing |
| 4 | 18-82-1070 | Field Assembly | 23 | 32-42-1201 | 1st Intermediate Gear |
| 5 | 16-82-1231 | Armature Assembly | 24 | 36-66-0551 | 1st Intermediate Pinion Shaft |
| 6 | 06-75-0850 | 1/2-13x1-1/2 Spade Handle Bolt (Hex.Hd.) | 25 | 02-04-0910 | Ball Bearing (2) |
| 7 | | Not Used | 26 | 02-04-1210 | Ball Bearing |
| 8 | 06-55-2850 | 1/2-13 Spade Handle Jam Nut | 27 | 36-66-0571 | 2nd Intermediate Pinion Shaft |
| 9 | 28-44-7121 | Spade Handle | 28 | 42-52-0050 | Taper Socket Cap |
| 10 | 02-04-1070 | Ball Bearing | 29 | 45-06-0080 | Spindle Oil Seal |
| 11 | 22-22-0015 | Brush Holder Assembly (2) | 30 | 45-34-0050 | Taper Socket |
| 12 | 23-44-0030 | Brush Retaining Screw (2) | 31 | 02-50-9640 | Spindle Roller Bearing |
| 13 | 22-18-0055 | Carbon Brush Assembly (2) | 32 | 28-14-0121 | Gear Case |
| 14 | 44-66-0180 | Air Intake Cover Plate | 33 | 42-24-0070 | Thrust Bearing |
| 15 | 28-86-1401 | Reversing Spacer | 34 | 32-75-1261 | Spindle Gear |
| 16 | 22-64-0070 | Cord Set | 35 | 38-50-0701 | Spindle |
| 17 | 23-82-0040 | Cord Protector Tube | 36 | 32-44-1101 | 2nd Intermediate Gear |
| 18 | 28-17-0200 | Cord Clamp | 37 | 02-20-1720 | Ball Bearing |
| 19 | 28-44-9001 | Switch Handle | 38 | 02-04-1020 | Ball Bearing |
| | | | 39 | 23-66-0340 | Reversing Switch |

MISCELLANEOUS PARTS NOT SHOWN

| PART NO. | DESCRIPTION OF PART | PART NO. | DESCRIPTION OF PART |
|-------------|---|-------------|--|
| 12-98-0900 | Name Plate | *06-97-2200 | Kantlink Lock Washers (2) |
| 06-81-7900 | 1/4-20x1-1/2 Fil.Hd.Gear Case Scs.Sem (2) | 06-97-3800 | Kantlink Lock Washers (4) |
| 06-81-1975 | 1/4-20x2-1/4 Fil.Hd.Gear Case Screws (2) | 06-42-1200 | Woodruff Key |
| 06-81-1150 | 10-24x3-1/8 Fil.Hd. Field Screws (2) | 06-42-2000 | Woodruff Key |
| 06-81-8650 | 6-32x1/4 Rd.Hd.Switch Mtg.Scs.Sem (2) | 06-42-2400 | Woodruff Key |
| 06-81-3400 | 6-32x1/4 Oval Hd.Switch Bracket Scs. (2) | 06-83-2650 | 1/4-20x3/8 Hd'less Brush Holder Set Scs. (2) |
| 06-81-7900 | 1/4-20x1-1/2 Fil.Hd.Switch Handle Scs.Sem (4) | 06-81-7800 | 1/4-20x3/4 Fil.Hd.Spacer Screws Sem (4) |
| *06-81-8400 | 4-40x1/4 Rd.Hd.Sem Name Plate Scrs. (2) | *06-81-8650 | 6-32x1/4 Rd.Hd.Sem Air Intake Pl.Scrs. (2) |
| *06-81-8625 | 6-32x1/4 Rd.Hd.(Bronze)Ground Scr. (4) | *06-81-6150 | 8-32x1/2 Fil.Hd.Sem Cord Clamp Scr. (2) |
| *06-97-1800 | Switch Lock Washer (4) | *48-03-0010 | Plug Adaptor |
| *43-62-0120 | Pipe Handle | *23-16-0200 | Insulator |