



SERVICE PARTS LIST

1-1/4" ELECTRIC DRILL

Catalog No. 2400-1

Starting Serial No. 171-3100

BUL. 54-12-6053

REVISED BUL. 54-12-6052 DATE Feb. '77

WIRING INSTRUCTIONS 58-01-0565

Specify Catalog and Serial No. when ordering parts

250 R.P.M.

FOR CAT. NO. 2400-3
(240V) TOOL USE:
16-86-1211 ARMATURE
18-86-1065 FIELD
22-64-4100 CORD SET

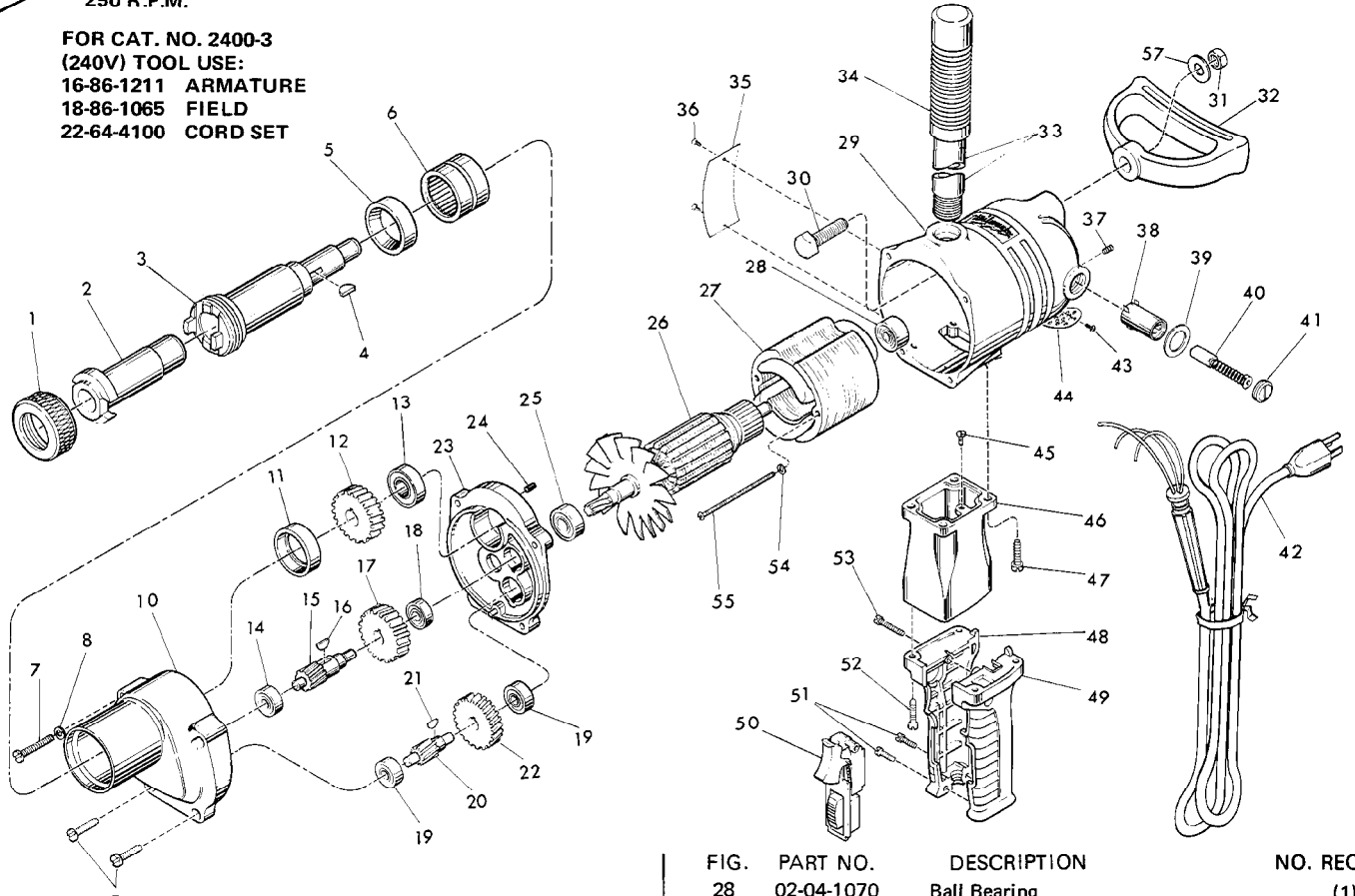


FIG.	PART NO.	DESCRIPTION	NO. REQ.	FIG.	PART NO.	DESCRIPTION	NO. REQ.
1	42-52-0050	Taper Socket Cap	(1)	28	02-04-1070	Ball Bearing	(1)
2	45-34-0050	No. 3 Taper Socket	(1)	29	28-50-4161	Motor Housing (Includes Fig. Nos. 30 & 31)	(1)
3	38-50-0701	Spindle	(1)	30	06-75-0850	1/2-13x1-1/2 Hex Hd. Screw	(1)
4	06-42-2400	Woodruff Key	(1)	31	06-55-2850	1/2-13 Hex Nut	(1)
5	45-06-0080	Oil Seal	(1)	★ 32	31-44-1050	Spade Handle	(1)
6	02-50-9640	Needle Bearing	(1)	33	43-62-0120	Pipe Handle	(1)
7	06-81-1975	1/4-20x2-1/4 Fil. Hd. Screw	(2)	★ 34	43-62-0242	Handle Grip	(1)
8	06-97-3800	Lock Washer	(2)	35	12-99-0040	Nameplate Blank	(1)
9	06-81-7900	1/4-20x1-1/2 Fil. Hd. Sem	(2)	36	06-85-0200	6x1/4 Nameplate Screw	(2)
10	28-14-0121	Gear Case	(1)	37	06-83-2650	1/4-20 x3/8 Knrl. Set Screw	(2)
11	42-24-0070	Thrust Bearing	(1)	38	22-22-0015	Brush Holder	(2)
12	32-75-1261	Spindle Gear	(1)	39	23-86-0060	Fiber Washer	(2)
13	02-20-1720	Ball Bearing	(1)	40	22-18-0055	Carbon Brush	(2)
14	02-04-1210	Ball Bearing	(1)	41	23-44-0030	Brush Retianing Screw	(2)
15	36-66-0571	Pinion Shaft	(1)	★ 42	22-64-0386	Cord Set	(1)
16	06-42-2000	Woodruff Key	(1)	43	06-81-8650	6-32x1/4 Rd. Hd. Sem	(2)
17	32-44-1101	Intermediate Gear	(1)	44	44-66-0180	Cover Plate	(1)
18	02-04-1020	Ball Bearing	(1)	45	06-81-8625	6-32x1/4 Ground Screw	(1)
19	02-04-0910	Ball Bearing	(2)	★ 46	28-86-1601	Handle Spacer	(1)
20	36-66-0551	Pinion Shaft	(1)	47	06-81-7800	1/4-20x3/4 Fil. Hd. Sem	(4)
21	06-42-1200	Woodruff Key	(1)	★ 48	31-44-0500	Right Hand Handle Half	(1)
22	32-42-1201	Intermediate Gear	(1)	★ 49	31-44-0510	Left Hand Handle Half	(1)
23	28-28-1181	Diaphragm (Includes 06-65-1205 Groove Pin & Fig. No. 24)	(1)	★ 50	23-66-0581	Switch	(1)
24	45-30-0070	Bearing Retaining Slug	(3)	★ 51	06-81-6200	8-32x5/8 Fil. Hd. Sem	(2)
25	02-04-1140	Ball Bearing	(1)	★ 52	06-81-7550	12-24x3/4 Fil. Hd. Sem	(4)
26	16-82-1231	120V Reversing Armature	(1)	★ 53	06-81-6400	8-32x1-1/8 Fil. Hd. Sem	(1)
27	18-82-1070	120V Field	(1)	54	06-97-2200	Lock Washer	(2)
				55	06-81-1150	10-24x3-1/8 Fil. Hd. Screw	(2)
				★ 56	12-98-7081	Caution Plate (Not Shown)	(1)
				★ 57	45-88-0310	Flat Washer	(1)

MILWAUKEE ELECTRIC TOOL CORP.

13135 West Lisbon Road • Brookfield, Wisconsin 53005