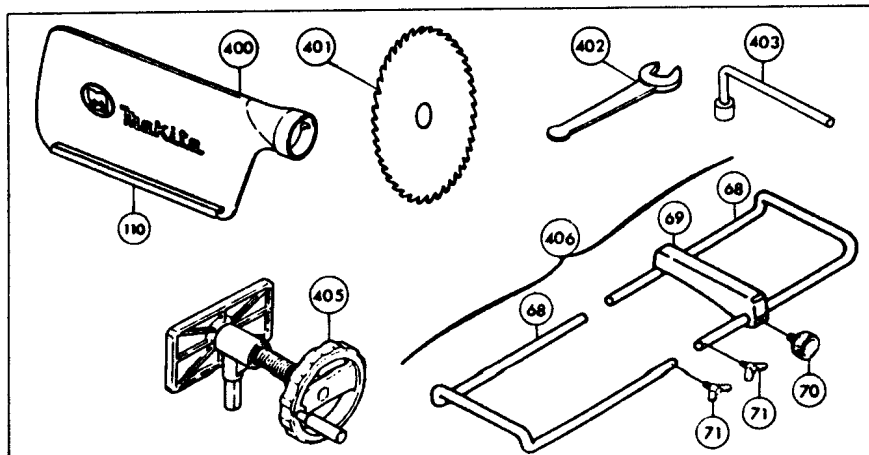
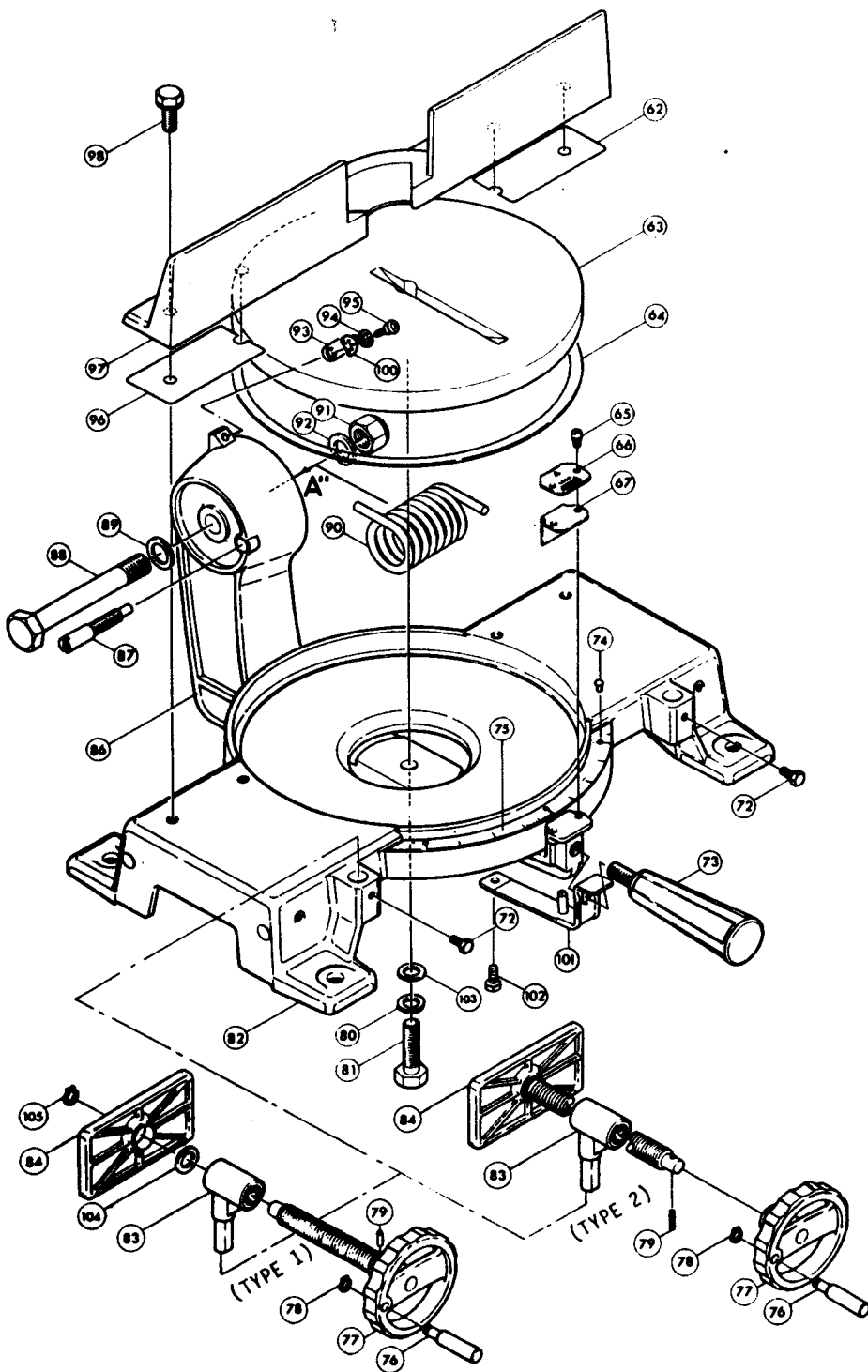


Item No.	Part No.	No. Used	Description
1	211106-1	1	Ball Bearing 6201LLB
2	241048-5	1	Fan 92
3	*	1	Armature Assembly (Includes Items 2, 5 & 6)
4	925288-0	2	Hex Bolt M5x65 (With Lock Washer)
5	681623-9	1	Insulation Washer (Old 681607-7)
6	211068-3	1	Ball Bearing 6200LB
7	524776-0	1	Field Assembly (With Items 30 & 40) (Old 624511-7)

Item No.	Part No.	No. Used	Description
8	263002-9	1	Rubber Pin 4
9	911158-9	3	Pan Head Screw M4x30 (With Washer)
10	643650-4	2	Brush Holder Cap
11	181047-4	2	Carbon Brush CB-154
12	*	1	Motor Housing (With Items 8, 107, 114 & 115)
13	654020-2	2	Garter Spring
14	*	1	Handle Cover
15	911101-8	1	Pan Head Screw M4x6 (With Washer)
16	651115-2	1	Switch
17	931102-0	3	Hex Nut M4
18	931501-6	1	Hex Nut M10
19	285645-7	1	Bearing Retainer 40
20	213459-4	1	O Ring 32
21	411466-3	1	Baffle Plate
22	312981-9	1	Elbow
23	213460-9	1	O Ring 35
24	155227-8	1	Blade Case
25	911239-9	1	Pan Head Screw M5x22 (With Washer)
26	411479-4	1	Cushion
27	251953-8	1	Screw M10x70
28	941252-3	1	Flat Washer 10
29	664213-3	1	Cord With Plug 2P-16-2.5
30	682505-8	1	Cord Guard
31	411468-9	1	Clamp Base
32	911121-2	2	Pan Head Screw M4x14 (With Washer)
33	911136-9	2	Pan Head Screw M4x20 (With Washer)
34	163100-8	1	Spindle Lock
35	687000-3	1	Strain Relief
36	911131-9	2	Pan Head Screw M4x18 (With Washer)
37	411467-1	1	Clamp Cover
38	911128-8	2	Pan Head Screw M4x16 (With Washer)
39	953106-2	4	Rivet 0-5
40	654502-4	2	Solderless Connector P-2
41	911298-3	4	Pan Head Screw M5x75 (With Washer)
42	312977-0	1	Gear Housing
43	931303-0	1	Hex Nut M6
44	942151-2	1	Spring Washer 6
45	941152-7	1	Flat Washer 6
46	251276-4	1	Counter Head Screw M6x52
47	224119-3	1	Inner Flange 55
48	411560-1	2	Guide Button
49	251637-8	1	Hex Flange Head Bolt M8x20
50	224118-5	1	Outer Flange 55
51	155241-4	1	Safety Cover (With Item 108)
52	912231-8	4	Counter Head Screw M5x20 (With Washer)
53	285644-9	1	Bearing Retainer 71
54	325564-6	1	Spindle
55	253328-7	1	Thin Washer 17
56	254203-0	1	Key 4
57	211256-2	1	Ball Bearing 6203LLB
58	312982-7	1	Bearing Box
59	*	1	Helical Gear
60	961057-5	1	Retaining Ring S-17
61	212101-4	1	Needle Bearing 1210
106	411477-8	1	Stopper (For Safety Lock Off Button)
107	231531-0	1	Torsion Spring
108	321295-5	1	Supporter
109	257022-3	1	Ring Adaptor (Use with 25mm Arbor Hole Makita Blade)
111	259015-6	1	Stop Ring
112	259015-6	1	Stop Ring
113	411478-6	1	Safety Lock-Off Button
114	643653-8	2	Brush Holder
115	913201-0	2	Set Screw M5x6 (Old)

* SEE SERVICE CHANGE



Item No.	Part No.	No. Used	Description
62	341396-3	1	Shim
63	*	1	Turn Table
64	253770-2	1	Flat Washer 240
65	911108-4	2	Pan Head Screw M4x8 (With Washer)
66	816007-4	1	Indication Plate
67	342524-3	1	Plate
68	322027-3	2	Holder
69	312511-6	1	Set Plate
70	251804-5	1	Screw M6x12
71	924211-2	2	Thumb Screw M5x12
72	265210-8	2	Hex Bolt M8x14
73	273436-8	1	Grip 37
74	953106-2	3	Rivet 0-5
75	816407-8	1	Scale Plate
76	273437-6	1	Grip 14
77	154250-0	1	Handle (With Rod & Item 79) (Type 1)
	271003-3	1	Handle (Type 2)
78	961006-2	1	Retaining Ring S-10
79	951166-8	1	Spring Pin 5-24
80	942301-9	1	Spring Washer 12 *
81	*	1	Hex Bolt
82	154252-6	1	Base (With Items 74 & 75)
83	314095-0	1	Vice Arm
84	312983-5	1	Vice (Type 1)
	163132-5	1	Vice Complete With Rod (Type 2) (Includes Items 104 & 105)
86	311423-0	1	Arm
87	251954-6	1	Set Screw M10
88	251698-8	1	Hex Bolt M16
89	253771-0	1	Flat Washer 16
90	231530-2	1	Torsion Spring 32
91	252044-8	1	Hex Lock Nut M16-24
92	253771-0	1	Flat Washer 16
93	341511-9	1	Stopper
94	253309-1	1	Thin Washer 8
95	251267-5	1	Pan Head Screw M6
96	341396-3	1	Shim
97	312979-6	1	Guide Rule
98	921541-2	4	Hex Bolt M10x25 (With Washer)
100	253948-7	1	Wave Washer 8
101	163175-7	1	Knock Spring
102	921421-2	1	Hex Bolt M8x16
103	941301-6	1	Flat Washer 12* (Added)
104	253744-3	1	Washer 12
105	961052-5	1	Retaining Ring S-12
110	410602-8	1	Fastener
200	652014-1	6	(+) Pan Head Screw M4x8
201	652255-9	6	Clamp Washer
202	654038-3	6	Insulated Eye Terminal FV1.25-M4
203	654510-5	1	Closed End Terminal 5.5-SD

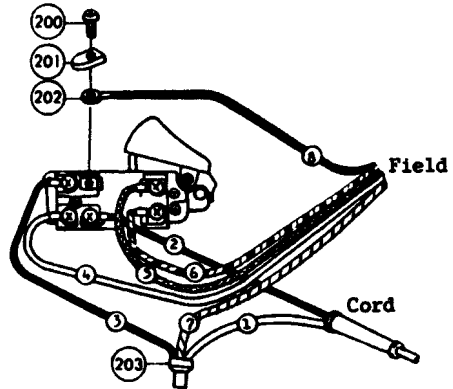
Accessories

400	122321-1	1	Dust Bag Assembly (With Item 110)
401	----	1	Saw Blade (See Catalogue for Details)
402	781203-2	1	Open End Wrench
403	782212-4	1	Socket Wrench 13
405	132391-2	1	Vice Assembly (Type 1) (Includes Items 76-78, 83, 84, 104 & 105)
	132391-2	1	Vice Assembly (Type 2) (Includes Items 76-79, 83 & 84)
406	191239-7	1	Holder Set (Includes Items 68-71)

* SEE SERVICE CHANGE

WIRING DIAGRAM

Wire No.	Wire Colour	Origin
1	White	Cord
2	Black	
3	Black	Jumper Wire
4	White	Field
5	Orange	
6	Purple	
7	Blue	
8	Black	



SERVICE CHANGES

1. Change on Armature and Gear.



Look at 3rd to 7th digit printed on core of the Armature

Type 1 reads
_ _ 4 5 6 0 A

Type 2 reads
_ _ 4 7 0 1 A

Type 3 reads
_ _ 4 8 1 6 A

Item No.	Description	Type 1	Type 2	Type 3
3	Armature	614560-2 (Discontinued)	614701-0 (Discontinued)	514816-2
59	Helical Gear	221179-6	221695-8	

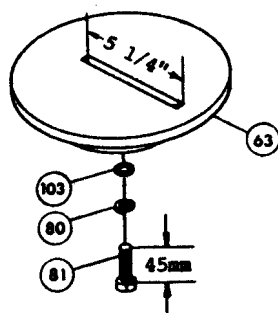
Above parts are completely interchangeable as a set.

When replacing Type 1 Armature replace with complete set of Type 3 parts.

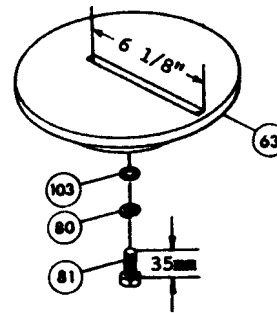
NOTE: If digits on core of Armature are not distinguishable please order Type 3 Armature and Gear.

2. Change on Turn Table and Hex Bolt.

Type 1



Type 2



Item No.	Description	Type 1	Type 2
63	Turn Table	312980-1 (Discontinued)	315036-9
80	Spring Washer 12	942301-9	
81	Hex Bolt	921666-2 (M12x45)	921656-5 (M12x35)
103	Flat Washer 12	941301-6 (Added) (See Note Below)	

Above parts are completely interchangeable as a set.

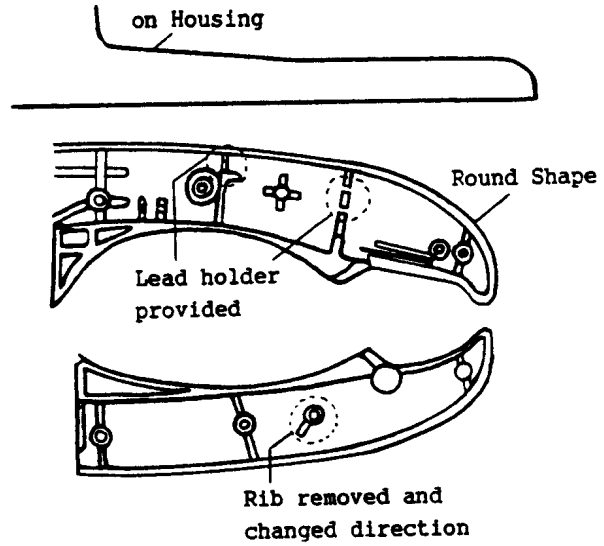
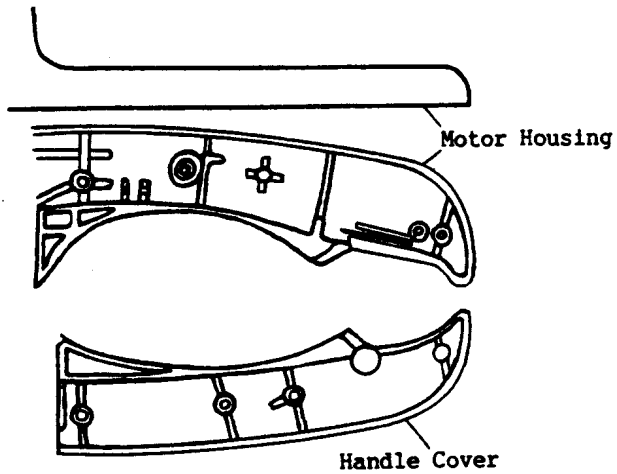
NOTE: To ensure blade cuts at a perfect 90°, add Flat Washer (Item No. 103) between Spring Washer (Item No. 80) and Arm (Item No. 86).

3. Change on Motor Housing and Handle Cover.

Type 1

Type 2

Steeper slope
on Housing



Item No.	Description	Type 1	Type 2
12	Motor Housing Complete	156444-3 (Discontinued)	157696-9
14	Handle Cover	411476-0	410875-3

Above parts are completely interchangeable as a set.