



SERVICE PARTS LIST

BULLETIN NO.
55-06-3301

SPECIFY CATALOG NO. AND SERIAL NO. WHEN ORDERING PARTS		REVISED BULLETIN	DATE
M12 BRUSHLESS 1/2" (13mm) DRIVER-DRILL		55-06-3300	Jan. 2013
CATALOG NO.	2403-059	WIRING INSTRUCTION	
STARTING SERIAL NO.	F16B		

EXAMPLE:

00	0
----	---

 Component Parts (Small #)
 Are Included When Ordering
 The Assembly (Large #).

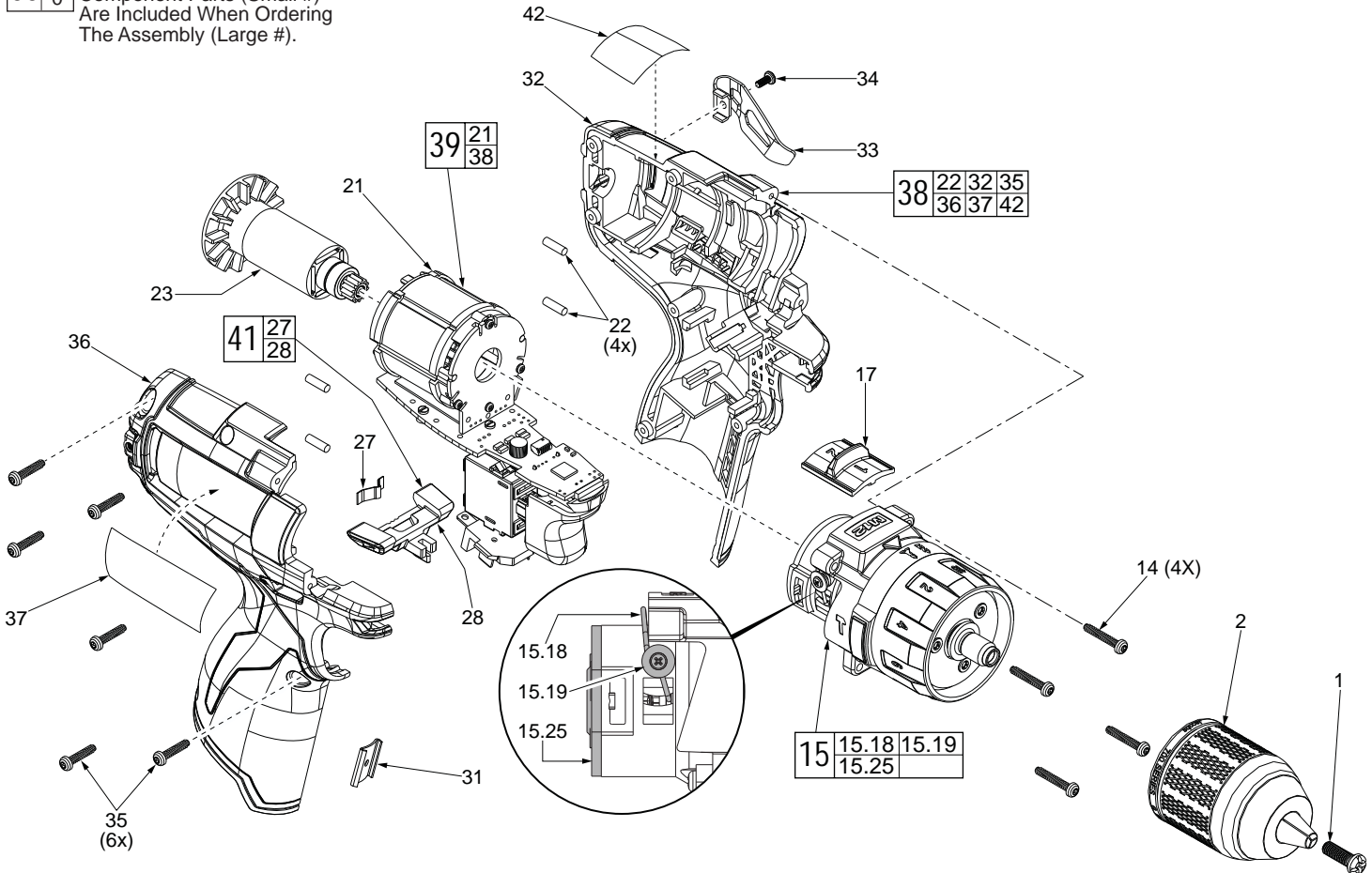


FIG.	PART NO.	DESCRIPTION OF PART	NO. REQ.
1	05-88-1500	M6 x 1.0 x 27mm LH Chuck Screw	(1)
2	42-66-0200	1/2" (13mm) Keyless Chuck	(1)
14	05-88-0780	M3 x 18mm T-10 ST Screw (Gearcase)	(4)
15	14-29-0565	Gearcase Assembly	(1)
15.18	44-10-0710	Speed Selector Lever	(1)
15.19	05-81-0542	M2.3 x 4.5mm ST Screw	(2)
15.25	-----	Motor Mounting Plate	(1)
17	45-24-0325	Speed Selector Button	(1)
★21	-----	Motor / Switch / PCBA Assembly	(1)
22	45-30-0270	Rubber Pin	(4)
23	16-07-0400	Service Rotor	(1)
27	40-50-1135	Shuttle Spring	(1)
28	42-42-0610	Forward / Reverse Shuttle	(1)
31	42-70-1150	Housing Connector	(1)
32	-----	Left Housing Halve	(1)
33	42-70-0580	Belt Clip	(1)
34	05-88-1010	M2.5 x 6mm Screw	(1)
35	06-82-1080	M3 x 14mm T-10 ST Scr (Handle Halves)	(6)
36	-----	Right Housing Halve	(1)
37	-----	Service Nameplate	(1)
38	31-44-2025	Housing Kit	(1)
39	14-20-1130	Housing / Electronics Kit	(1)
40	42-55-2100	Blow Molded Carrying Case	(1)
41	42-42-1120	Forward / Reverse Shuttle Kit	(1)
42	10-20-2399	Warning Label (French & Spanish)	(1)

Apply Blue Loctite® thread locking sealant or the equivalent to the threads of the chuck screw (1) before securing chuck to the gearcase spindle.



SCREW TORQUE SPECIFICATION CHART			
FIG.	PART NO.	DESCRIPTION	SEATING TORQUE (IN-LBS)
1	05-88-1500	Chuck Screw	33±2.5
15.19	05-81-0542	Speed Selector Lever Screw	3.5±1
14	05-88-0780	Gearcase Assembly Screw	7.0±2.5
35	06-82-1080	Right Housing Halve Screw	7.0±2.5