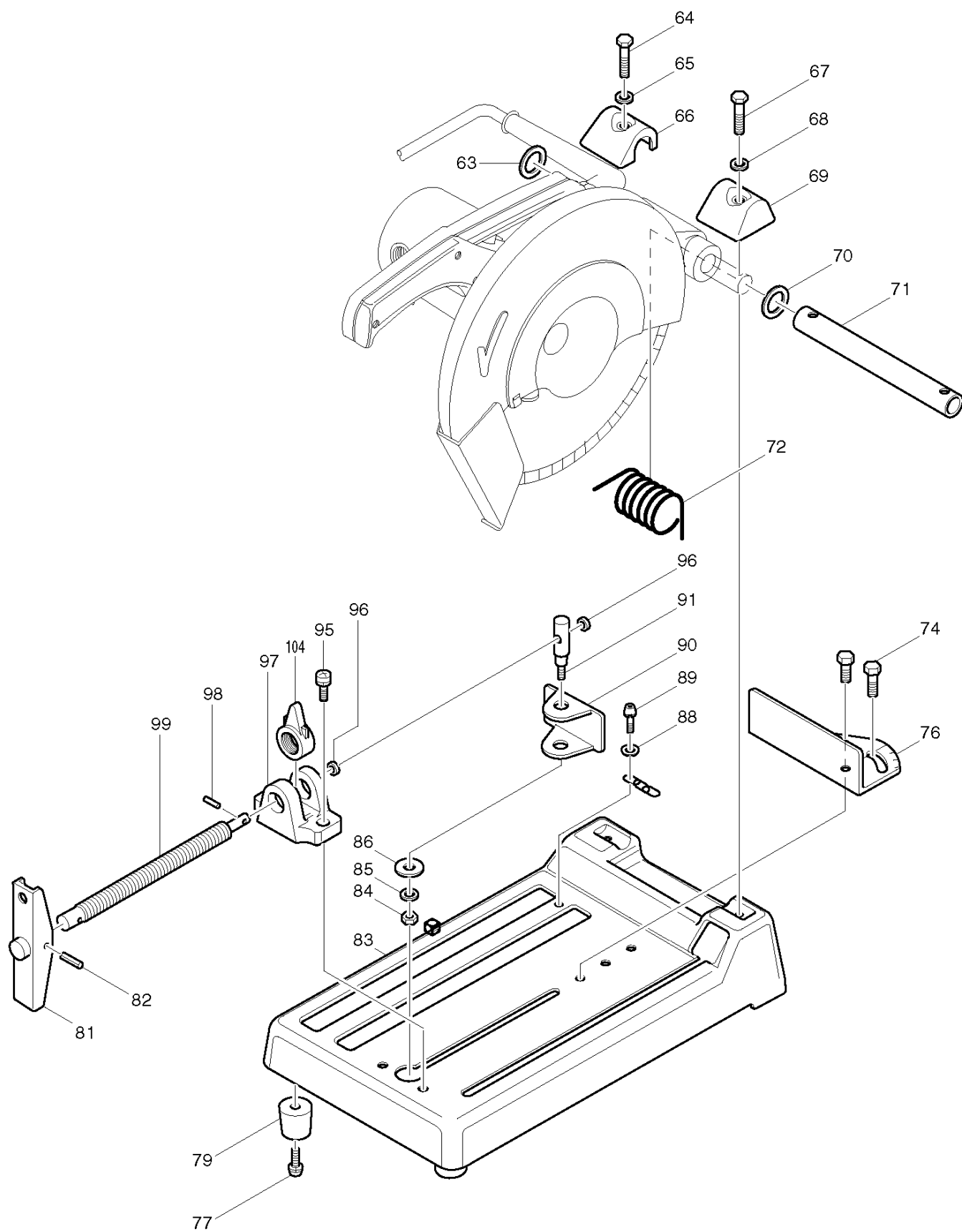


No.	Part no.	Name
1	911148-2	*PAN HEAD SCREW M4x25 10PK
10	663734-2	POWER SUPPLY CORD 1.50-3-2.5
10	692234-5	POWER SUPPLY CORD 1.0-3-2.5
103	182751-8	HANDLE SET 2414/2414K TIB235
106	213218-6	O RING 16 2414K/HK1820L
11	911334-5	PAN HEAD SCREW M6X20
12	322049-3	HOOK 2412N/2414/2414B/NB/LC123
13	924206-5	*WING SCREW M5X10 N1923BDD 5PK
14	942101-7	*M5 SPRING RING DIN128 10PK
15	341395-5	STOPPER PLATE 2412N/14
16	931302-2	*HEX FULL NUT M6 10PK
17	931302-2	*HEX FULL NUT M6 10PK
18	942151-2	*M6 SPRING RING DIN128 10PK
19	253011-6	*FLAT WASHER 6 10PK
2	911148-2	*PAN HEAD SCREW M4x25 10PK
20	282013-5	CHAIN 2414
21	265380-3	*SPECIAL PIN SCREW M6X18 5PK
22	953106-2	*RIVET 0-5 10PK
23	859380-9	NAME PLATE 2414
24	284010-7	REAR COVER 2412N/2414
25	651018-0	SWITCH HPAHR2-3S 9217SPC
26	911211-1	*PAN HD SCREW 5X12 W/SP 10PK
27	645105-5	NOISE SUPPRESSOR/CONDENSOR 645
27	646329-6	LINE COIL 2414
27	645182-7	NOICE SUPPRESSOR
28	911103-4	*PAN HD SCREW M4X6 10PK
29	263002-9	RUBBER PIN 4 PC5000/UH5580/TD
3	911273-9	*PAN HD SCREW M5X50 HR2400 5PK
30	643650-4	BRUSH HOLDER CAP CB-5/UC3530A
31	181044-0	CARBON BRUSH CB-153 (CB-22)/94
32	156409-5	MOTOR HOUSING
32	156446-9	MOTOR HOUSING
33	681002-1	INSULATION WASHER 2412N/14/89
34	343299-7	FAN GUIDE 2412N/2414
35	211066-7	BALL BEARING 6200LLB/9402
36	213051-6	DUST SEAL 6210-10
37	524491-6	FIELD 110V 2412/2414
37	524494-0	FIELD 240V 2412N/2414
38	911938-3	*PAN HD SCREW M6X85 5PK
39	514541-5	ARMATURE 110V 2414/2412N
39	514544-9	ARMATURE 240V 2414/2412
4	911253-5	*PAN HDSCREW M5X30 W/CP 10PK
40	241515-0	FAN 92 2414B
41	213202-1	DUST SEAL 15
42	211206-7	BALL BEARING 6202LLB/LF1000
43	150053-0	SAFETY COVER COMPLETE FOR 2414
44	325517-5	SPINDLE 2412N/2414 TIB177
45	254032-1	*WOODRUFF KEY 5-12 10PK

46	211306-3	BALL BEARING 6204LLB HM1317CCB
47	263005-3	RUBBER PIN 6 BUH550RD/BST220/2
48	263002-9	RUBBER PIN 4 PC5000/UH5580/TD
49	231240-1	*COMPRESSION SPRING 7 10PK
5	911148-2	*PAN HEAD SCREW M4x25 10PK
50	325518-3	STOPPER 2412N/2414
51	213460-9	O RING 35 HM1303B/LS800DWB/HR1
52	157331-9	'GEAR HOUSING CO 2414/N-BL799
53	211061-7	BALL BEARING 6000LLB BTW200
54	961060-6	*EXT DIN471 CIRCLIP-20 10PK
55	221628-3	HELICAL GEAR 54 2412N/2414
56	157026-4	BEARING HOUSING 2412N/2414
57	253755-8	*THIN HARD WASHER 20 2414 5PK
58	911276-3	*PAN HD SCREW M5X55 2414 5PK
59	224141-0	INNER FLANGE 120 2414
6	182751-8	HANDLE SET 2414/2414K TIB235
60	257054-0	RING 20 2412N/2414/4110C/4112
61	224142-8	OUTER FLANGE 120 2414
62	251680-7	HEX HD BOLT M10 2414
7	265995-6	*PT SCREW 4X18 10PK KP0810C
8	687052-4	STRAIN RELIEF BO5041/KP0810
8	687054-0	STRAIN RELIEF 9079F 110/LF100
9	682507-4	CORD GUARD 1805B



No.	Part no.	Name
104	322209-7	VICE NUT 2412NB/LC1230
63	253751-6	NARROW HARD WASHER 24 2414
64	251683-1	*HEX HD SETSCREW M8X40 5PK
65	942201-3	*M8 SPRING RING DIN 128 10PK
66	345141-8	*PIPE COVER (L) 2412N 2414
67	251683-1	*HEX HD SETSCREW M8X40 5PK
68	942201-3	*M8 SPRING RING DIN 128 10PK
69	345142-6	*PIPE COVER (R) 2412N 2414
70	253751-6	NARROW HARD WASHER 24 2414
71	331087-4	*PIPE 24 2412N 2414
72	231583-1	TORSION SPRING 26 2412N/14
74	265201-9	HEX BOLT M10X25 2412N/2414/24
76	345145-0	GUIDE PLATE 2412N/14
77	911349-2	*PAN HD SCREW M6X28 2414B 5PK
79	421277-8	CUSHION 2414K
81	272021-4	HANDLE 120 2414B/NB
82	951163-4	*TENSION PIN5-20 DIN1481 10PK
83	132385-7	BASE ASSY 2412N/2414
84	931402-8	*HEX FULLNUT M8 10PK
85	942201-3	*M8 SPRING RING DIN 128 10PK
86	253752-4	*THICK HARD WASHER 8 2414 5PK
88	253011-6	*FLAT WASHER 6 10PK
89	911316-7	*PAN HD SCREW M6X14 10PK
90	343546-6	VICE PLATE
91	265922-3	SCREW M8
95	911451-1	*PAN HD SCREW M8X30 LC1230 5PK
96	253731-2	*HARD WASHER 8 LS800D 5PK
97	311949-2	SCREW GUIDE 2414NB/LC1230
98	951066-2	*TENSION PIN 3-18 DIN 1481 10P
99	322239-8	VICE SCREW 2412B/NB