



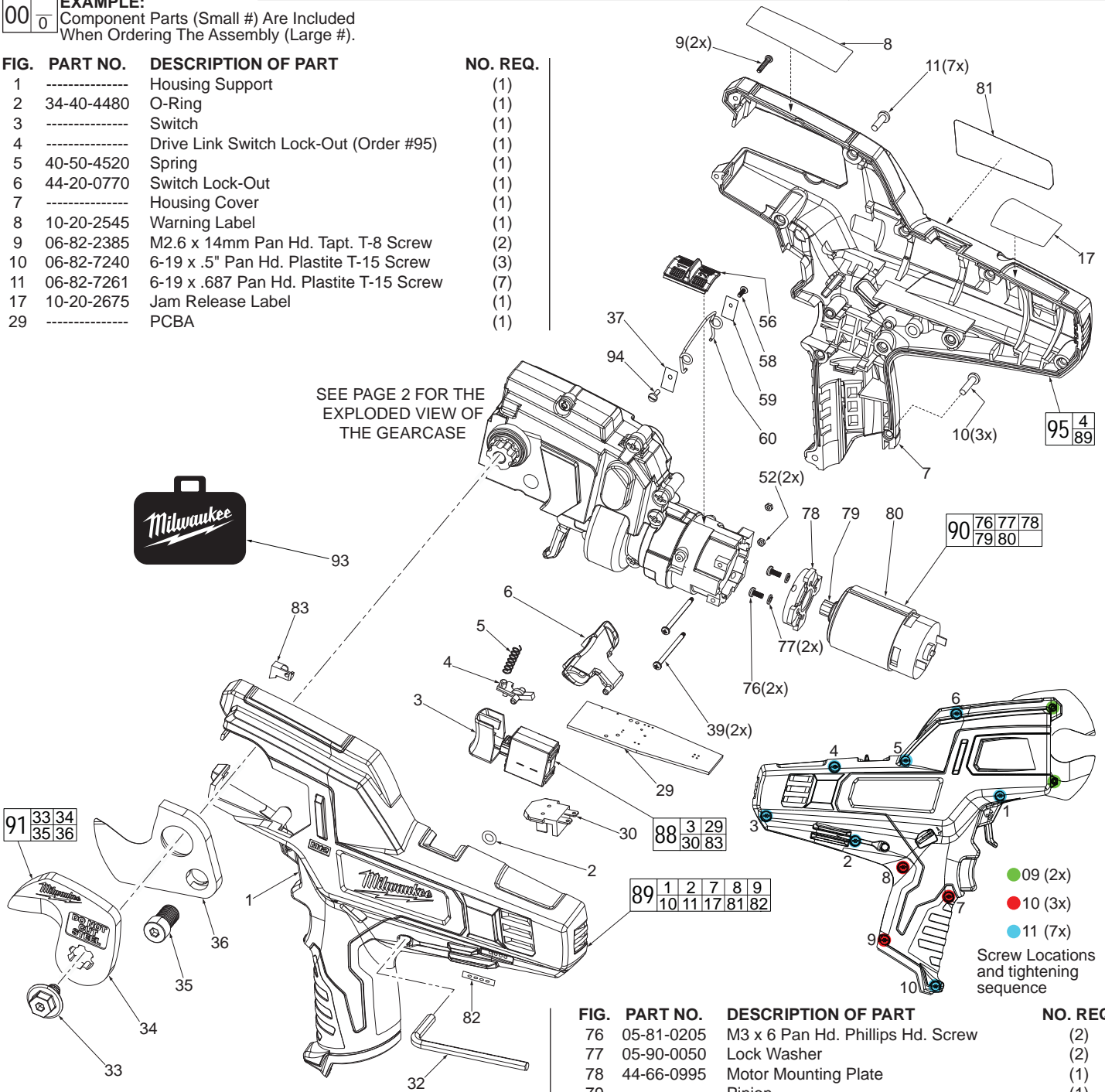
# SERVICE PARTS LIST

**BULLETIN NO.**  
**55-27-2490**

|  |                 |   |             |
|--|-----------------|---|-------------|
| SPECIFY CATALOG NO. AND SERIAL NO. WHEN ORDERING PARTS |                 | REVISED BULLETIN                        | DATE        |
| <b>M12™ CABLE CUTTER</b>                               |                 |   | Feb. 2014   |
| CATALOG NO.  | <b>2472-059</b> | SERIAL NUMBER                           | <b>E81A</b> |
|  |                 | WIRING INSTRUCTION<br><b>See Page 4</b> |             |

**EXAMPLE:**  
Component Parts (Small #) Are Included  
When Ordering The Assembly (Large #).

| FIG. | PART NO.   | DESCRIPTION OF PART                     | NO. REQ. |
|------|------------|---|----------|
| 1    | -----      | Housing Support                         | (1)      |
| 2    | 34-40-4480 | O-Ring                                  | (1)      |
| 3    | -----      | Switch                                  | (1)      |
| 4    | -----      | Drive Link Switch Lock-Out (Order #95)  | (1)      |
| 5    | 40-50-4520 | Spring                                  | (1)      |
| 6    | 44-20-0770 | Switch Lock-Out                         | (1)      |
| 7    | -----      | Housing Cover                           | (1)      |
| 8    | 10-20-2545 | Warning Label                           | (1)      |
| 9    | 06-82-2385 | M2.6 x 14mm Pan Hd. Tapt. T-8 Screw     | (2)      |
| 10   | 06-82-7240 | 6-19 x .5" Pan Hd. Plastite T-15 Screw  | (3)      |
| 11   | 06-82-7261 | 6-19 x .687 Pan Hd. Plastite T-15 Screw | (7)      |
| 17   | 10-20-2675 | Jam Release Label                       | (1)      |
| 29   | -----      | PCBA                                    | (1)      |



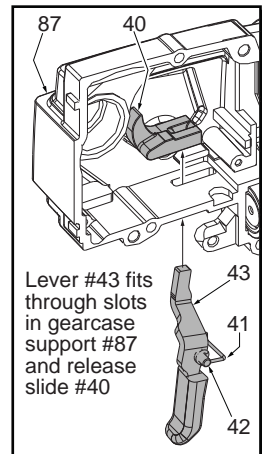
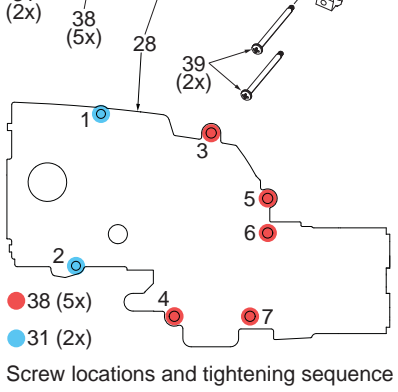
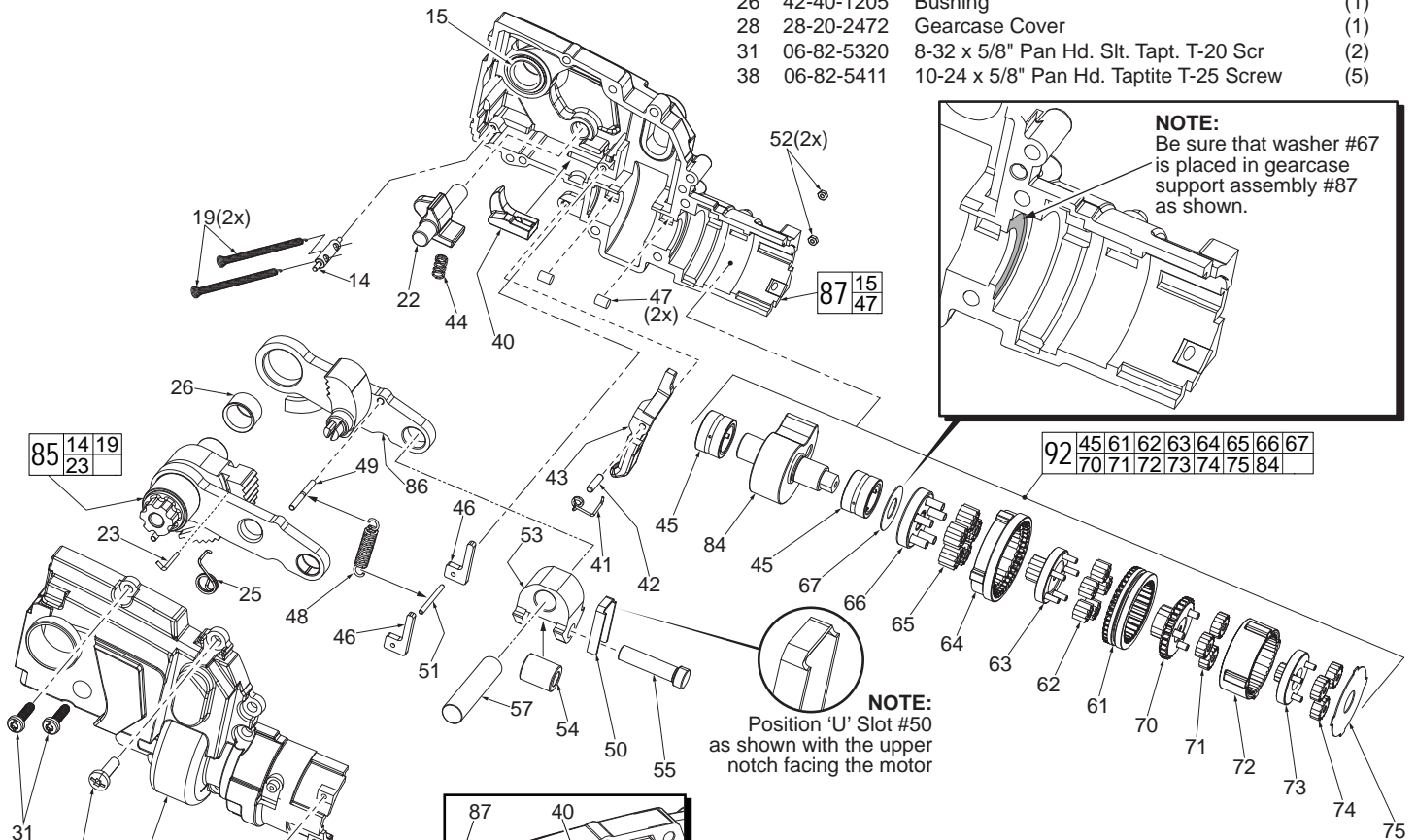
SEE PAGE 2 FOR THE  
EXPLODED VIEW OF  
THE GEARCASE

| FIG. | PART NO.   | DESCRIPTION OF PART                           | NO. REQ. |
|------|------------|---|----------|
| 30   | -----      | Battery Contact Plate                         | (1)      |
| 32   | 49-96-0088 | 3/16" x 3-5/8" Hex Key                        | (1)      |
| 33   | 42-32-0500 | Moving Blade Fitted Bolt with Loctite® Patch  | (1)      |
| 34   | -----      | Moving Blade                                  | (1)      |
| 35   | 42-32-0525 | Stationary Blade Fixed Bolt w/ Loctite® Patch | (1)      |
| 36   | -----      | Stationary Blade                              | (1)      |
| 37   | 45-88-8210 | Plate Washer with 3.3mm hole                  | (1)      |
| 39   | 06-81-0485 | M2 Pan Hd. Phillips Screw- Motor Mounting     | (2)      |
| 52   | 44-40-0115 | M2 Hex Nut                                    | (2)      |
| 56   | 45-24-0400 | High-Low Slide Button                         | (1)      |
| 58   | 05-81-0798 | M2 Screw                                      | (1)      |
| 59   | 45-88-8205 | Plate Washer with 2.3mm hole                  | (1)      |
| 60   | 44-10-0665 | Spring- High/Low Slide Button                 | (1)      |

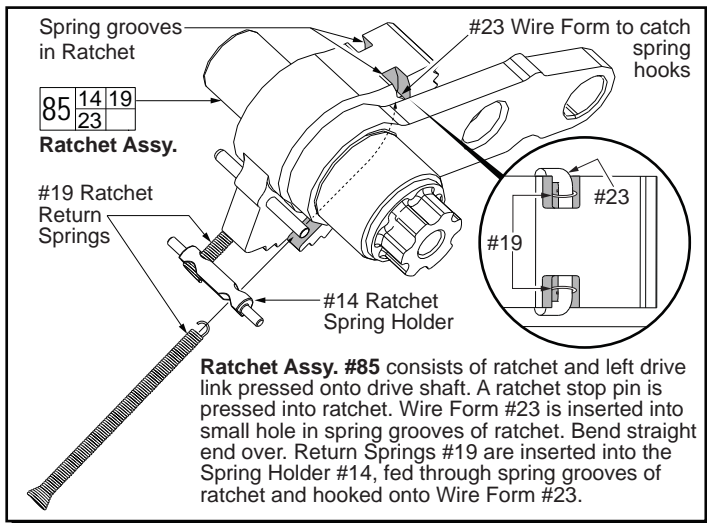
| FIG. | PART NO.   | DESCRIPTION OF PART               | NO. REQ. |
|------|------------|-----------------------------------|----------|
| 76   | 05-81-0205 | M3 x 6 Pan Hd. Phillips Hd. Screw | (2)      |
| 77   | 05-90-0050 | Lock Washer                       | (2)      |
| 78   | 44-66-0995 | Motor Mounting Plate              | (1)      |
| 79   | -----      | Pinion                            | (1)      |
| 80   | -----      | Motor                             | (1)      |
| 81   | -----      | Service Nameplate                 | (1)      |
| 82   | -----      | Fuel Gauge Label                  | (1)      |
| 83   | -----      | LED                               | (1)      |
| 88   | 23-66-2472 | Switch Assembly                   | (1)      |
| 89   | -----      | Handle Assembly (Order #95)       | (1)      |
| 90   | 23-30-0375 | Motor Assembly                    | (1)      |
| 91   | 48-44-0410 | Blade Set                         | (1)      |
| 93   | 42-55-2472 | Carrying Case                     | (1)      |
| 94   | 05-81-0208 | M3 x 6mm Pan Hd. Slotted Screw    | (1)      |
| 95   | 31-44-2473 | Handle/Drive Link Assembly        | (1)      |

**MILWAUKEE ELECTRIC TOOL CORPORATION**  
13135 W. LISBON RD., BROOKFIELD, WI 53005  
Drwg. 3

| FIG. | PART NO.   | DESCRIPTION OF PART                      | NO. REQ. |
|------|------------|--|----------|
| 14   | 43-72-0780 | Ratchet Spring Holder                    | (1)      |
| 15   | -----      | Bushing                                  | (1)      |
| 19   | 40-50-1005 | Ratchet Return Spring                    | (2)      |
| 22   | 44-55-0300 | Follower Pawl                            | (1)      |
| 23   | 44-60-1325 | Wire Form                                | (1)      |
| 25   | 40-50-3960 | Torsion Spring                           | (1)      |
| 26   | 42-40-1205 | Bushing                                  | (1)      |
| 28   | 28-20-2472 | Gearcase Cover                           | (1)      |
| 31   | 06-82-5320 | 8-32 x 5/8" Pan Hd. Slit. Tapt. T-20 Scr | (2)      |
| 38   | 06-82-5411 | 10-24 x 5/8" Pan Hd. Taptite T-25 Screw  | (5)      |



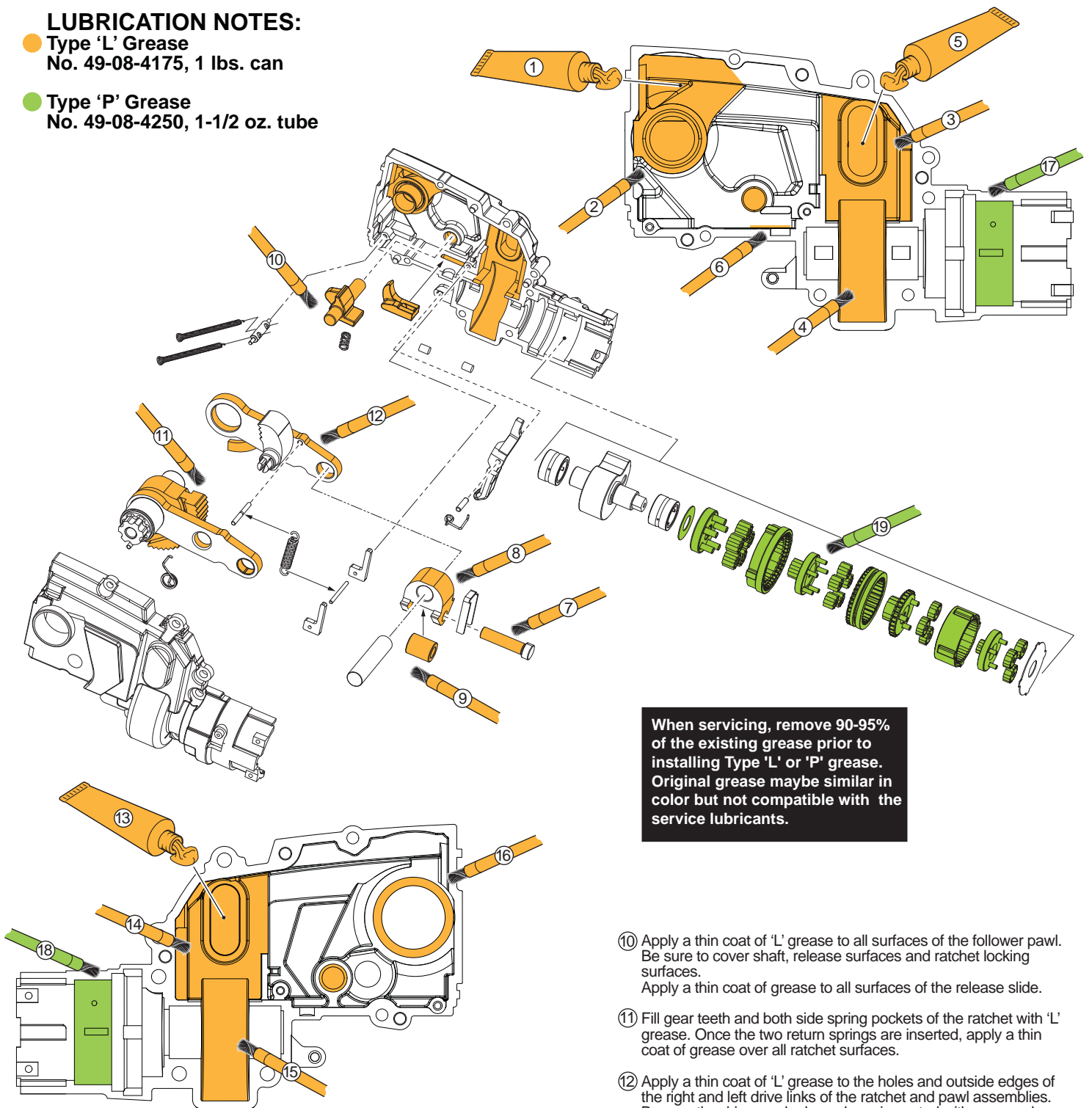
| FIG. | PART NO.   | DESCRIPTION OF PART                       | NO. REQ. |
|------|------------|---|----------|
| 39   | 06-81-0485 | M2 Pan Hd. Phillips Screw- Motor Mounting | (2)      |
| 40   | 45-24-1040 | Release Slide                             | (1)      |
| 41   | 40-50-3270 | Torsion Spring- Release Lever             | (1)      |
| 42   | 44-60-0560 | Pin- Release Lever                        | (1)      |
| 43   | 44-10-0870 | Release Lever                             | (1)      |
| 44   | 40-50-4905 | Return Spring- Follower Pawl              | (1)      |
| 45   | 02-50-0175 | Needle Bearing                            | (2)      |
| 46   | 44-81-0260 | Roller Pin Rail                           | (2)      |
| 47   | 42-34-5380 | Rubber Slug                               | (2)      |
| 48   | 40-50-3220 | Drive Link Return Spring                  | (1)      |
| 49   | 44-60-2200 | Mounting Shaft- Return Spring             | (1)      |
| 50   | 28-10-0900 | U Slot                                    | (1)      |
| 51   | 44-60-2210 | Pin- Drive Link Return Spring             | (1)      |
| 52   | 44-40-0115 | M2 Hex Nut                                | (2)      |
| 53   | 43-72-0800 | Carrier                                   | (1)      |
| 54   | 44-96-0425 | Cam Roller                                | (1)      |
| 55   | 44-66-2300 | Roller Pin                                | (1)      |
| 57   | 44-66-2310 | Roller Carrier Pin                        | (1)      |
| 61   | -----      | 3rd Stage Ring Gear                       | (1)      |
| 62   | -----      | 3rd Stage Planet Gear                     | (5)      |
| 63   | -----      | 4th Stage Sun Gear                        | (1)      |
| 64   | -----      | 4th Stage Ring Gear                       | (1)      |
| 65   | -----      | 4th Stage Planet Gear                     | (5)      |
| 66   | -----      | 4th Stage Carrier                         | (1)      |
| 67   | -----      | Washer                                    | (1)      |
| 70   | -----      | 3rd Stage Sun Gear                        | (1)      |
| 71   | -----      | 2nd Stage Planet Gear                     | (3)      |
| 72   | -----      | 1st and 2nd Stage Ring Gear               | (1)      |
| 73   | -----      | 2nd Stage Sun Gear                        | (1)      |
| 74   | -----      | 1st Stage Planet Gear                     | (3)      |
| 75   | -----      | Motor Spacer Plate                        | (1)      |
| 84   | 42-50-0600 | Cam and Cam Shaft Assembly                | (1)      |
| 85   | 44-84-0380 | Drive Shaft/Link/Ratchet Assembly         | (1)      |
| 86   | 44-55-0350 | Drive Pawl/Link/Release Lever Assembly    | (1)      |
| 87   | 28-14-0495 | Gearcase Support Assembly                 | (1)      |
| 92   | 14-29-0800 | Gear/Cam Assembly                         | (1)      |



## LUBRICATION NOTES:

● Type 'L' Grease  
No. 49-08-4175, 1 lbs. can

● Type 'P' Grease  
No. 49-08-4250, 1-1/2 oz. tube



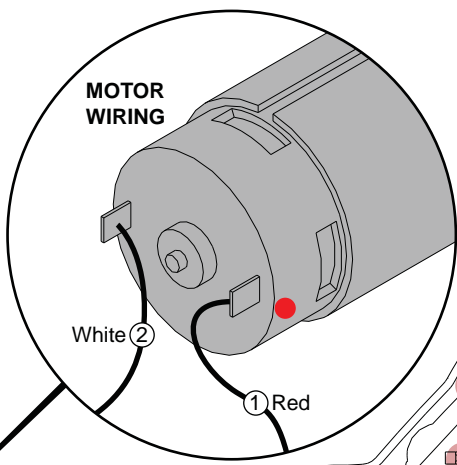
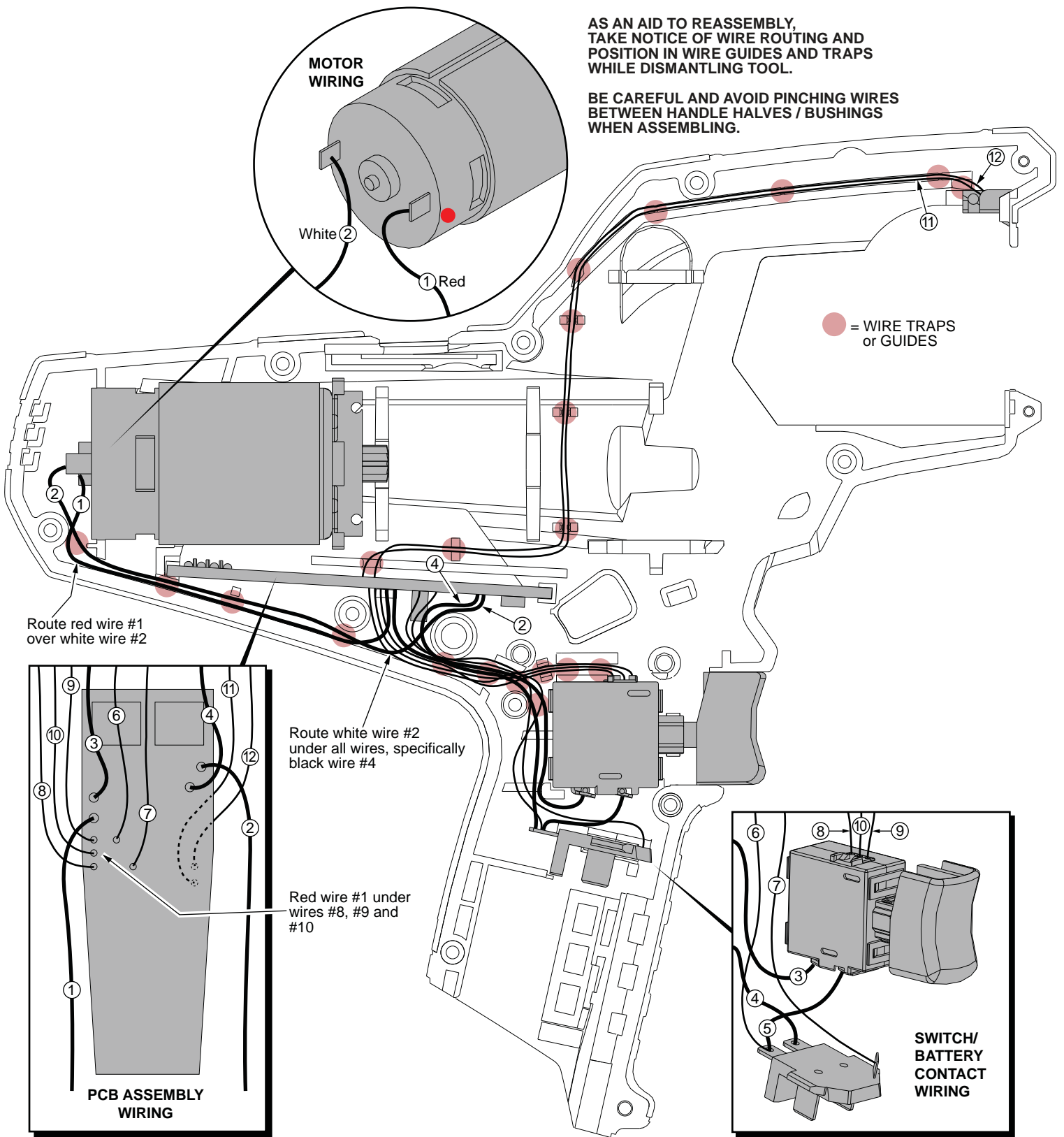
When servicing, remove 90-95% of the existing grease prior to installing Type 'L' or 'P' grease. Original grease may be similar in color but not compatible with the service lubricants.

- ① Place 5 grams (approx. 3/16 ounce) of Type 'L' grease in the upper left corner of gearcase support assembly.
- ② Apply a thin coat of 'L' grease around and in the drive shaft bushing.
- ③ Apply a thin coat of 'L' grease to area shown. Be sure to cover the roller carrier slot and the surfaces the roller pin will have contact with.
- ④ Coat the cam pocket of the gearcase support with 'L' grease.
- ⑤ Place 5 grams (3/16 ounce) of 'L' grease in carrier pin pocket.
- ⑥ Coat the release slide slot in gearcase support with 'L' grease.
- ⑦ Apply a thin coat of 'L' grease to the roller pin prior to assembly with the carrier and roller.
- ⑧ Coat the top and bottom surfaces of the carrier with 'L' grease.
- ⑨ After assembly in the carrier with the pin, add 3 grams (approx. 1/8 oz.) of 'L' grease to the surface of the roller.

- ⑩ Apply a thin coat of 'L' grease to all surfaces of the follower pawl. Be sure to cover shaft, release surfaces and ratchet locking surfaces. Apply a thin coat of grease to all surfaces of the release slide.
- ⑪ Fill gear teeth and both side spring pockets of the ratchet with 'L' grease. Once the two return springs are inserted, apply a thin coat of grease over all ratchet surfaces.
- ⑫ Apply a thin coat of 'L' grease to the holes and outside edges of the right and left drive links of the ratchet and pawl assemblies. Be sure the drive pawl release lever is coated with grease also.
- ⑬ Place 5 grams (3/16 ounce) of 'L' grease in carrier pin pocket.
- ⑭ Apply a thin coat of 'L' grease to area shown. Be sure to cover the roller carrier slot and the surfaces the roller pin will have contact with.
- ⑮ Coat the cam pocket of the gearcase support with 'L' grease.
- ⑯ Place a thin layer of 'L' grease to the inside walls of the gearcase cover bushing and follower pawl shaft hole. Apply a thin coat of grease to the area outside the bushing.
- ⑰ Apply a thin coat of Type 'P' grease to the ring gear pocket of the gearcase support assembly.
- ⑱ Apply a thin coat of Type 'P' grease to the ring gear pocket of the gearcase cover.
- ⑲ Place a thin coat of 'P' grease to the gear components shown above. Be sure that all ring gear teeth and planetary gear teeth are completely covered.

AS AN AID TO REASSEMBLY,  
TAKE NOTICE OF WIRE ROUTING AND  
POSITION IN WIRE GUIDES AND TRAPS  
WHILE DISMANTLING TOOL.

BE CAREFUL AND AVOID PINCHING WIRES  
BETWEEN HANDLE HALVES / BUSHINGS  
WHEN ASSEMBLING.

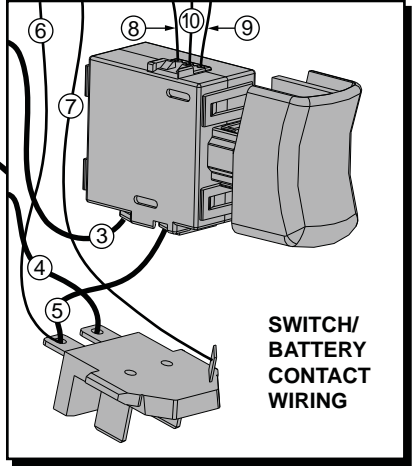
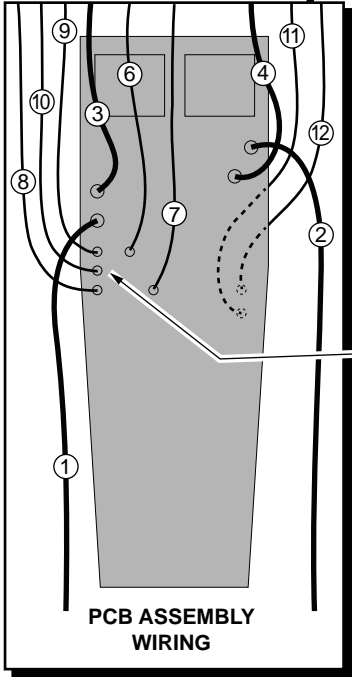


Route red wire #1  
over white wire #2

Route white wire #2  
under all wires, specifically  
black wire #4

Red wire #1 under  
wires #8, #9 and  
#10

● = WIRE TRAPS  
or GUIDES



- |          |   |         |                     |
|----------|---|---------|---------------------|
| ① RED    | PCB to motor positive (MTR+)              | ⑨ BLACK | PCB to switch (blk) |
| ② WHITE  | PCB to motor negative (MTR-)              | ⑩ BLUE  | PCB to switch (blu) |
| ③ RED    | PCB to switch (B+ SW)                     | ⑪ BLACK | PCB to LED (LED-)   |
| ④ BLACK  | PCB to negative battery contact (BAT-)    | ⑫ BLUE  | PCB to LED (LED+)   |
| ⑤ RED    | Switch to positive battery contact (BAT+) |         |                     |
| ⑥ RED    | PCB to battery contact (BAT+)             |         |                     |
| ⑦ WHITE  | PCB to battery contact (BAT_ther)         |         |                     |
| ⑧ YELLOW | PCB to switch (ylw)                       |         |                     |