



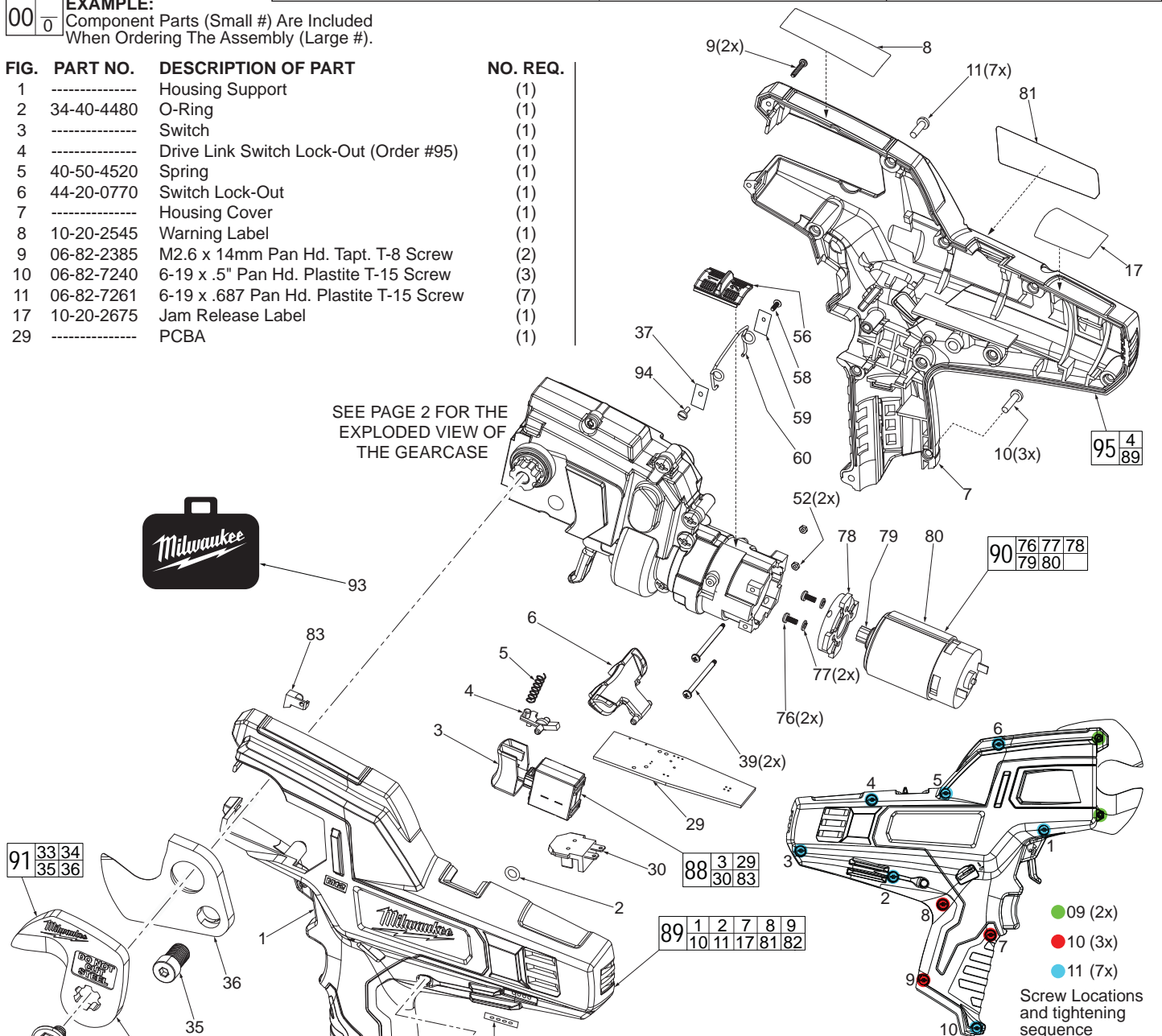
SERVICE PARTS LIST

BULLETIN NO.
54-27-2490

| SPECIFY CATALOG NO. AND SERIAL NO. WHEN ORDERING PARTS | | REVISED BULLETIN | DATE |
|--|----------------|----------------------|--|
| M12™ CABLE CUTTER | | | Feb. 2014 |
| CATALOG NO. | 2472-20 | SERIAL NUMBER | E21A |
| | | | WIRING INSTRUCTION See Page 4 |

EXAMPLE:
Component Parts (Small #) Are Included
When Ordering The Assembly (Large #).

| FIG. | PART NO. | DESCRIPTION OF PART | NO. REQ. |
|------|------------|---|----------|
| 1 | ----- | Housing Support | (1) |
| 2 | 34-40-4480 | O-Ring | (1) |
| 3 | ----- | Switch | (1) |
| 4 | ----- | Drive Link Switch Lock-Out (Order #95) | (1) |
| 5 | 40-50-4520 | Spring | (1) |
| 6 | 44-20-0770 | Switch Lock-Out | (1) |
| 7 | ----- | Housing Cover | (1) |
| 8 | 10-20-2545 | Warning Label | (1) |
| 9 | 06-82-2385 | M2.6 x 14mm Pan Hd. Tapt. T-8 Screw | (2) |
| 10 | 06-82-7240 | 6-19 x .5" Pan Hd. Plastite T-15 Screw | (3) |
| 11 | 06-82-7261 | 6-19 x .687 Pan Hd. Plastite T-15 Screw | (7) |
| 17 | 10-20-2675 | Jam Release Label | (1) |
| 29 | ----- | PCBA | (1) |

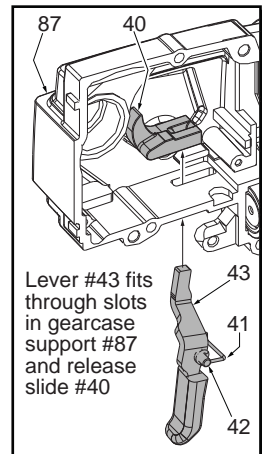
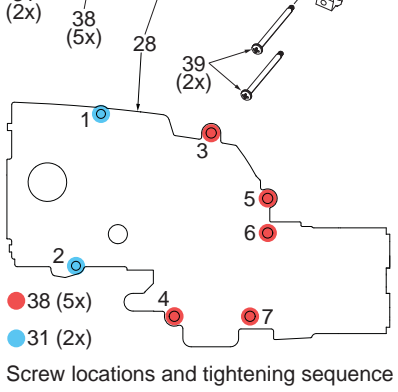
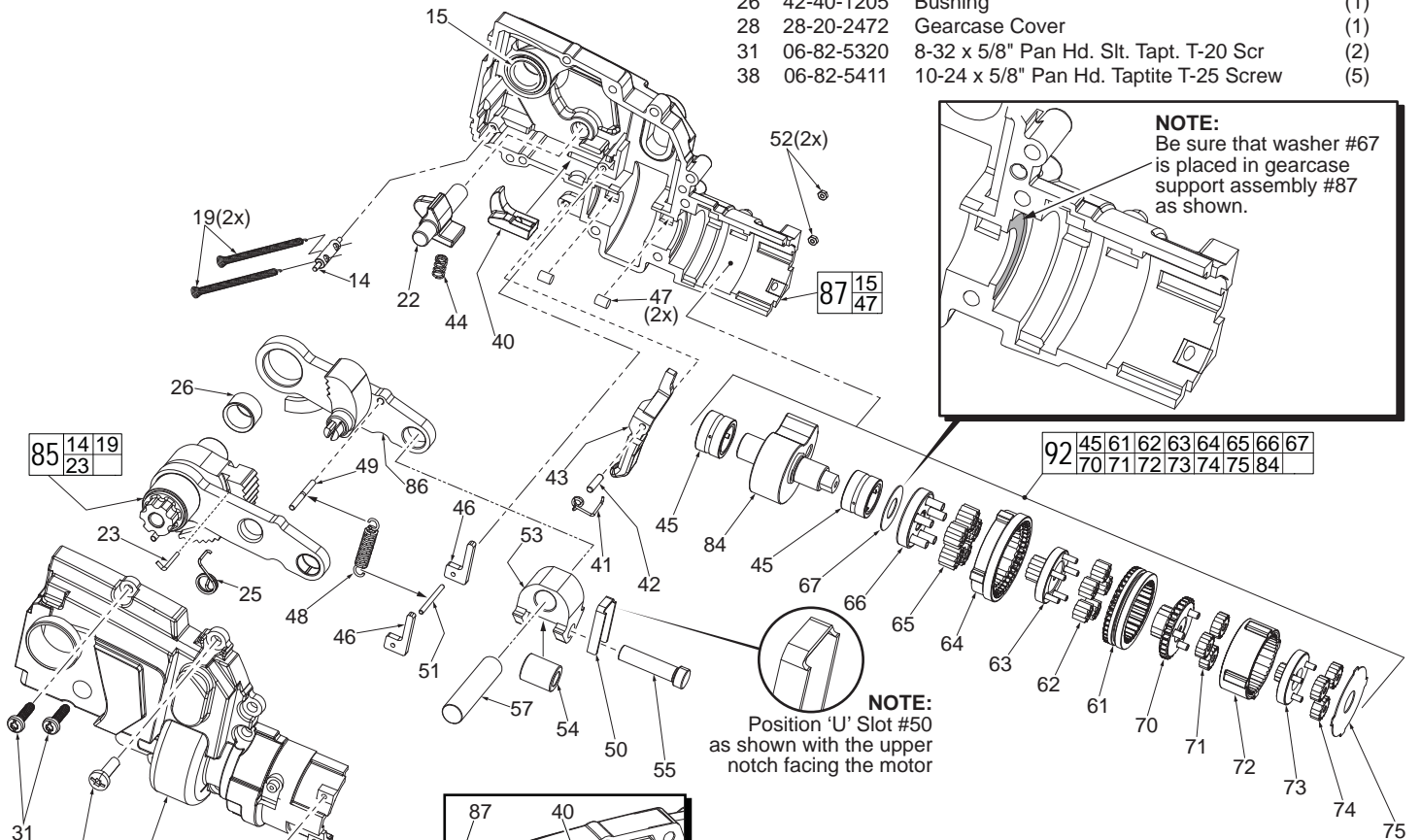


| FIG. | PART NO. | DESCRIPTION OF PART | NO. REQ. |
|------|------------|---|----------|
| 30 | ----- | Battery Contact Plate | (1) |
| 32 | 49-96-0088 | 3/16" x 3-5/8" Hex Key | (1) |
| 33 | 42-32-0500 | Moving Blade Fitted Bolt with Loctite® Patch | (1) |
| 34 | ----- | Moving Blade | (1) |
| 35 | 42-32-0525 | Stationary Blade Fixed Bolt w/ Loctite® Patch | (1) |
| 36 | ----- | Stationary Blade | (1) |
| 37 | 45-88-8210 | Plate Washer with 3.3mm hole | (1) |
| 39 | 06-81-0485 | M2 Pan Hd. Phillips Screw- Motor Mounting | (2) |
| 52 | 44-40-0115 | M2 Hex Nut | (2) |
| 56 | 45-24-0400 | High-Low Slide Button | (1) |
| 58 | 05-81-0798 | M2 Screw | (1) |
| 59 | 45-88-8205 | Plate Washer with 2.3mm hole | (1) |
| 60 | 44-10-0665 | Spring- High/Low Slide Button | (1) |

| FIG. | PART NO. | DESCRIPTION OF PART | NO. REQ. |
|------|------------|-----------------------------------|----------|
| 76 | 05-81-0205 | M3 x 6 Pan Hd. Phillips Hd. Screw | (2) |
| 77 | 05-90-0050 | Lock Washer | (2) |
| 78 | 44-66-0995 | Motor Mounting Plate | (1) |
| 79 | ----- | Pinion | (1) |
| 80 | ----- | Motor | (1) |
| 81 | 12-20-2465 | Service Nameplate | (1) |
| 82 | ----- | Fuel Gauge Label | (1) |
| 83 | ----- | LED | (1) |
| 88 | 23-66-2472 | Switch Assembly | (1) |
| 89 | ----- | Handle Assembly (Order #95) | (1) |
| 90 | 23-30-0375 | Motor Assembly | (1) |
| 91 | 48-44-0410 | Blade Set | (1) |
| 93 | 42-55-2472 | Carrying Case | (1) |
| 94 | 05-81-0208 | M3 x 6mm Pan Hd. Slotted Screw | (1) |
| 95 | 31-44-2473 | Handle/Drive Link Assembly | (1) |

MILWAUKEE ELECTRIC TOOL CORPORATION
13135 W. LISBON RD., BROOKFIELD, WI 53005
Drwg. 3

| FIG. | PART NO. | DESCRIPTION OF PART | NO. REQ. |
|------|------------|--|----------|
| 14 | 43-72-0780 | Ratchet Spring Holder | (1) |
| 15 | ----- | Bushing | (1) |
| 19 | 40-50-1005 | Ratchet Return Spring | (2) |
| 22 | 44-55-0300 | Follower Pawl | (1) |
| 23 | 44-60-1325 | Wire Form | (1) |
| 25 | 40-50-3960 | Torsion Spring | (1) |
| 26 | 42-40-1205 | Bushing | (1) |
| 28 | 28-20-2472 | Gearcase Cover | (1) |
| 31 | 06-82-5320 | 8-32 x 5/8" Pan Hd. Slit. Tapt. T-20 Scr | (2) |
| 38 | 06-82-5411 | 10-24 x 5/8" Pan Hd. Taptite T-25 Screw | (5) |



| FIG. | PART NO. | DESCRIPTION OF PART | NO. REQ. |
|------|------------|---|----------|
| 39 | 06-81-0485 | M2 Pan Hd. Phillips Screw- Motor Mounting | (2) |
| 40 | 45-24-1040 | Release Slide | (1) |
| 41 | 40-50-3270 | Torsion Spring- Release Lever | (1) |
| 42 | 44-60-0560 | Pin- Release Lever | (1) |
| 43 | 44-10-0870 | Release Lever | (1) |
| 44 | 40-50-4905 | Return Spring- Follower Pawl | (1) |
| 45 | 02-50-0175 | Needle Bearing | (2) |
| 46 | 44-81-0260 | Roller Pin Rail | (2) |
| 47 | 42-34-5380 | Rubber Slug | (2) |
| 48 | 40-50-3220 | Drive Link Return Spring | (1) |
| 49 | 44-60-2200 | Mounting Shaft- Return Spring | (1) |
| 50 | 28-10-0900 | U Slot | (1) |
| 51 | 44-60-2210 | Pin- Drive Link Return Spring | (1) |
| 52 | 44-40-0115 | M2 Hex Nut | (2) |
| 53 | 43-72-0800 | Carrier | (1) |
| 54 | 44-96-0425 | Cam Roller | (1) |
| 55 | 44-66-2300 | Roller Pin | (1) |
| 57 | 44-66-2310 | Roller Carrier Pin | (1) |
| 61 | ----- | 3rd Stage Ring Gear | (1) |
| 62 | ----- | 3rd Stage Planet Gear | (5) |
| 63 | ----- | 4th Stage Sun Gear | (1) |
| 64 | ----- | 4th Stage Ring Gear | (1) |
| 65 | ----- | 4th Stage Planet Gear | (5) |
| 66 | ----- | 4th Stage Carrier | (1) |
| 67 | ----- | Washer | (1) |
| 70 | ----- | 3rd Stage Sun Gear | (1) |
| 71 | ----- | 2nd Stage Planet Gear | (3) |
| 72 | ----- | 1st and 2nd Stage Ring Gear | (1) |
| 73 | ----- | 2nd Stage Sun Gear | (1) |
| 74 | ----- | 1st Stage Planet Gear | (3) |
| 75 | ----- | Motor Spacer Plate | (1) |
| 84 | 42-50-0600 | Cam and Cam Shaft Assembly | (1) |
| 85 | 44-84-0380 | Drive Shaft/Link/Ratchet Assembly | (1) |
| 86 | 44-55-0350 | Drive Pawl/Link/Release Lever Assembly | (1) |
| 87 | 28-14-0495 | Gearcase Support Assembly | (1) |
| 92 | 14-29-0800 | Gear/Cam Assembly | (1) |

