



SERVICE PARTS LIST

BUL. 54-12-6010

1-1/4" ELECTRIC DRILL

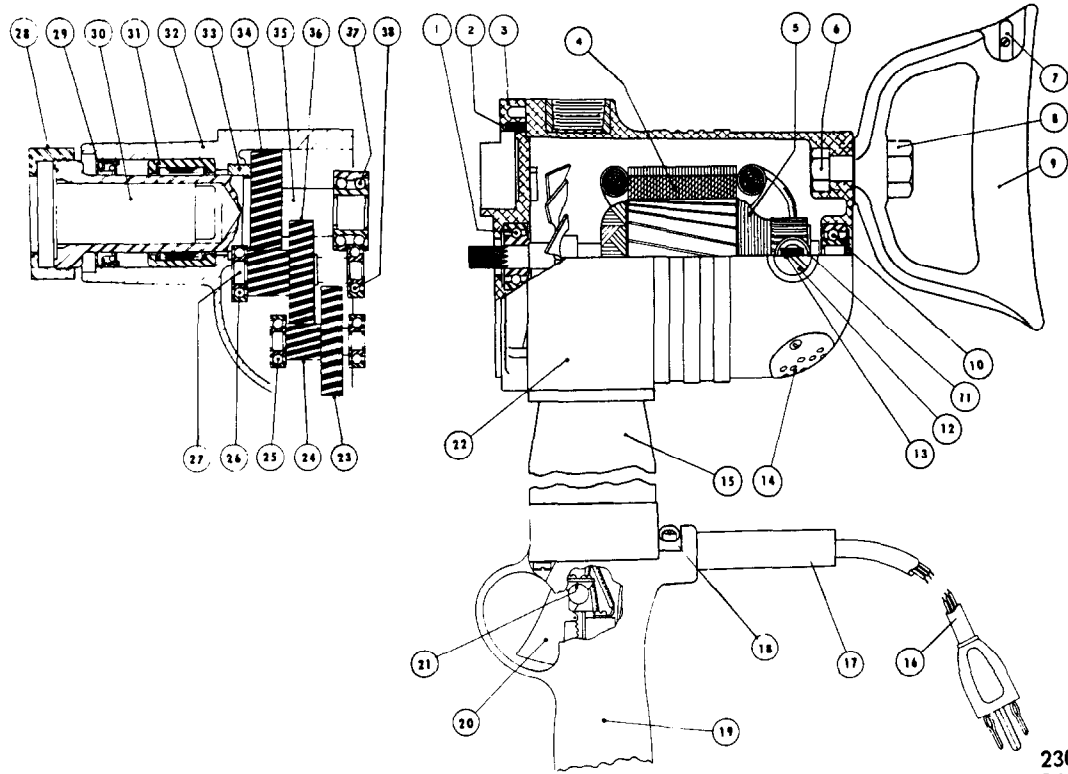
REVISED BUL 6167-1 DATE Feb. '68

Catalog No. 2500

Starting Serial No. **167-1001**

WIRING INSTR. **58-01-0610**

Both Model and Serial No. must be furnished to obtain correct parts.



ILLUSTRATED PARTS

230V Motor
16-86-1200 Armature
18-86-1060 Field

FIG.	PART NO.	DESCRIPTION OF PART	FIG.	PART NO.	DESCRIPTION OF PART
	1	02-04-1140 Ball Bearing		20	23-66-0330 Switch
	2	45-30-0070 Ball Bearing Retaining Slug	(3)	21	42-36-0230 Switch Bracket
	3	28-28-1181 Diaphragm		22	28-50-4161 Motor Housing
	4	18-82-1070 Field Assembly		23	32-42-1201 1st Intermediate Gear
	5	16-82-1220 Armature Assembly		*24	36-66-1251 1st Intermediate Pinion Shaft
	6	06-75-0850 1/2-13x1 1/2 Spade Handle Bolt (Hex. Hd.)		25	02-04-0910 Ball Bearing (2)
	7	Not Used		26	02-04-1210 Ball Bearing
	8	06-55-2850 Spade Handle Jam Nut		27	36-66-0571 2nd Intermediate Pinion Shaft
	9	28-44-7121 Spade Handle		28	42-52-0050 Taper Socket Cap
	10	02-04-1070 Ball Bearing		29	45-06-0080 Spindle Oil Seal
	11	22-22-0015 Brush Holder Assembly (2)		30	45-34-0050 Taper Socket
	12	23-44-0030 Brush Retaining Screw (2)		31	02-50-9640 Spindle Roller Bearing
	13	22-18-0055 Carbon Brush Assembly (2)		32	28-14-0121 Gear Case
	14	44-66-0180 Air Intake Cover Plate		33	42-24-0070 Thrust Bearing
	15	28-86-1501 Switch Handle Spacer		34	32-75-1261 Spindle Gear
	16	22-64-0070 Cord Set		35	38-50-0701 Spindle
	17	23-82-0040 Cord Protector Tube		*36	32-44-1141 2nd Intermediate Gear
	18	28-17-0200 Cord Clamp		37	02-20-1720 Ball Bearing
	19	28-44-9001 Switch Handle		38	02-04-1020 Ball Bearing

MISCELLANEOUS PARTS NOT SHOWN

PART NO.	DESCRIPTION OF PART	PART NO.	DESCRIPTION OF PART
12-98-0900	Name Plate	06-97-2200	Kantlink Lock Washers (2)
06-81-7900	1/4-20x1 1/2 Fil. Hd. Gear Case Scs. Sems (2)	06-97-3800	Kantlink Lock Washers (2)
06-81-1975	1/4-20x2 1/4 Fil. Hd. Gear Case Screws (2)	06-42-1200	Woodruff Key
06-81-1150	10-24x3-1/8 Fil. Hd. Field Screws (2)	06-42-2000	Woodruff Key
06-81-8650	6-32x 1/4 Rd. Hd. Switch Mounting Screws Sems (2)	06-42-2400	Woodruff Key
06-81-3400	6-32x 1/4 Oval Hd. Switch Bracket Screws (2)	06-83-2650	1/4-20x3/8 Hd'less Brush Holder Set Screws (2)
06-81-7900	1/4-20x1 1/2 Fil. Hd. Switch Han. Scs. Sems (4)	06-81-7800	1/4-20x 3/4 Fil. Hd. Spacer Screws Sems (4)
06-81-8650	6-32x 1/4 Rd. Hd. Sem Air Intake Plate Screws (2)	43-62-0120	Pipe Handle
06-81-8400	4-40x 1/4 Rd. Hd. Sem Name Plate Screws (2)	23-16-0200	Insulator
06-81-6150	8-32x 1/2 Fil. Hd. Sem Cord Clamp Screws (2)	06-81-8625	6-32x 1/4 Rd. Hd. (Bronze) Ground Screw
23-86-0060	Insulating Washer	06-97-1800	Lock Washer (4)