



# SERVICE PARTS

**BULLETIN NO.  
54-40-2440**

SPECIFY CATALOG NO. AND SERIAL NO. WHEN ORDERING PARTS		REVISED BULLETIN	DATE
<b>M12 FUEL™ SUB COMPACT BAND SAW</b>			Feb. 2022
CATALOG NO. <b>2529-20</b>	STARTING SERIAL NO. <b>L96A</b>	WIRING INSTRUCTION <b>SEE PAGE 3</b>	

**EXAMPLE:**  
Component Parts (Small #)  
Are Included When Ordering  
The Assembly (Large #).

**SEE ADJACENT PAGES  
FOR ADDITIONAL SERVICE  
NOTES, LUBRICATION  
AND WIRING**

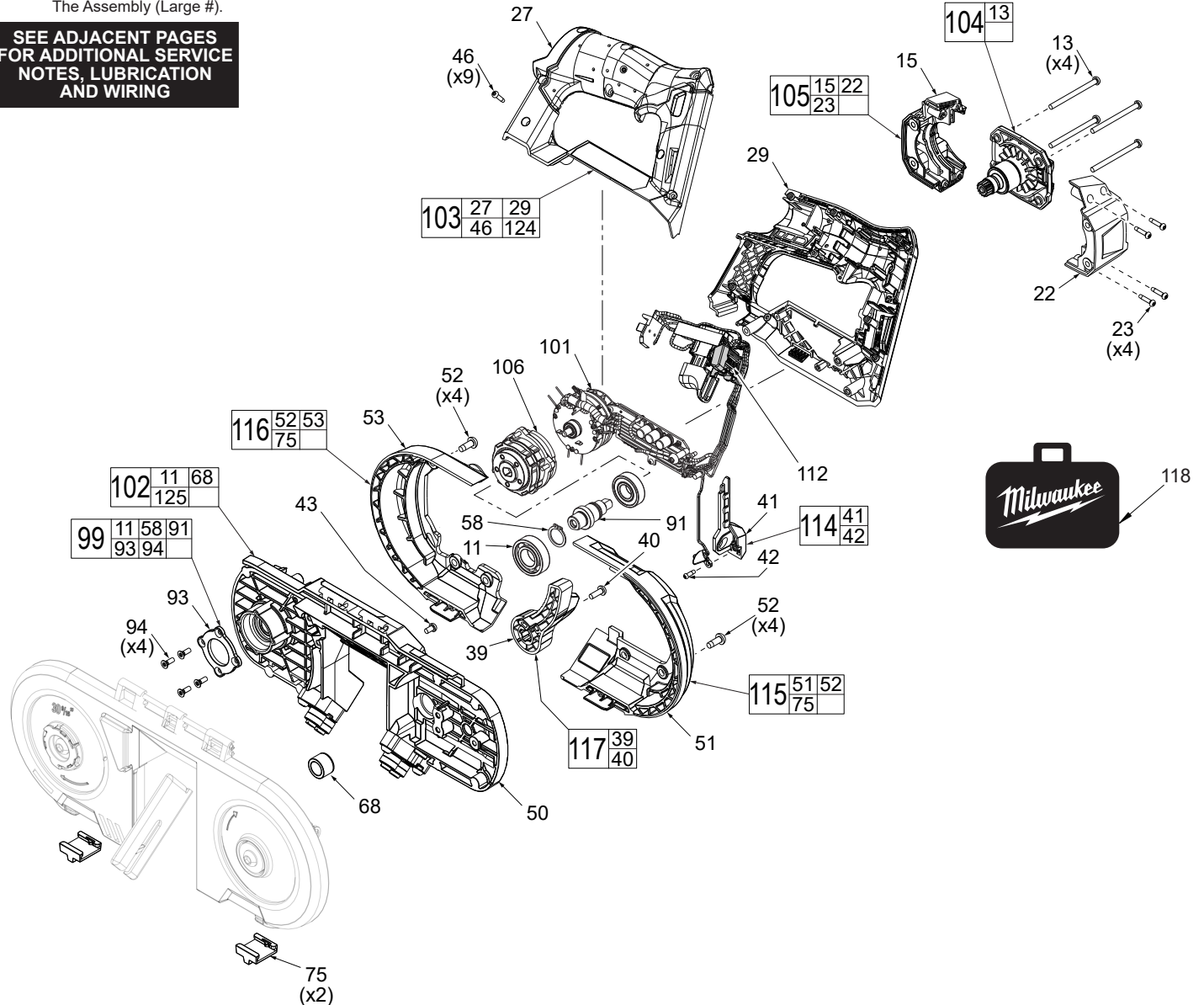


FIG.	PART NO.	DESCRIPTION OF PART	NO. REQ.	FIG.	PART NO.	DESCRIPTION OF PART	NO. REQ.
11	02-04-0719	Ball Bearing	(1)	91	-----	Output Shaft	(1)
13	05-78-0012	M4 x 0.7mm PH T20 Screw	(4)	93	-----	Output Shaft Retaining Plate	(1)
15	-----	Motor Housing Cover	(1)	94	-----	M3.5 x 0.6mm T15 FH Screw	(4)
22	-----	Motor Housing Support	(1)	99	14-73-0011	Output Shaft Kit	(1)
23	06-82-1080	M3 ST Screw	(13)	101	14-20-2529	PCBA Kit	(1)
27	-----	Handle Cover	(1)	102	14-30-0034	Deck Assembly	(1)
29	-----	Handle Support	(1)	103	14-34-0215	Handle Kit	(1)
39	-----	Tension Lever	(1)	104	14-50-2529	Rotor Assembly	(1)
40	06-82-0150	Screw	(1)	105	14-38-0038	Motor Housing Kit	(1)
41	-----	LED Housing	(1)	106	14-46-0003	Gearbox Kit	(1)
42	-----	M3 AEG Screw	(1)	112	14-46-0233	Lockoff Shuttle Kit	(1)
43	05-81-0166	M4 x 0.7 PH T20 Screw	(1)	114	44-06-0038	LED Housing Kit	(1)
46	-----	M5 x 16mm PH T25 Screw	(3)	115	31-55-0101	Front Shroud Kit	(1)
50	-----	Deck	(1)	116	31-55-0102	Rear Shroud Kit	(1)
51	-----	Front Shroud	(1)	117	42-09-2529	Tensioning Lever Kit	(1)
52	-----	10-24 PH Taptite T25 Screw	(8)	118	42-55-2529	Contractor Bag	(1)
53	-----	Rear Shroud	(1)	124	12-20-3001	Service Nameplate (Not Shown)	(1)
58	-----	Retaining Ring	(1)	125	10-20-3106	Warning Label (Not Shown)	(1)
68	42-40-0135	Bushing	(1)				
75	44-20-2529	Latch	(2)				

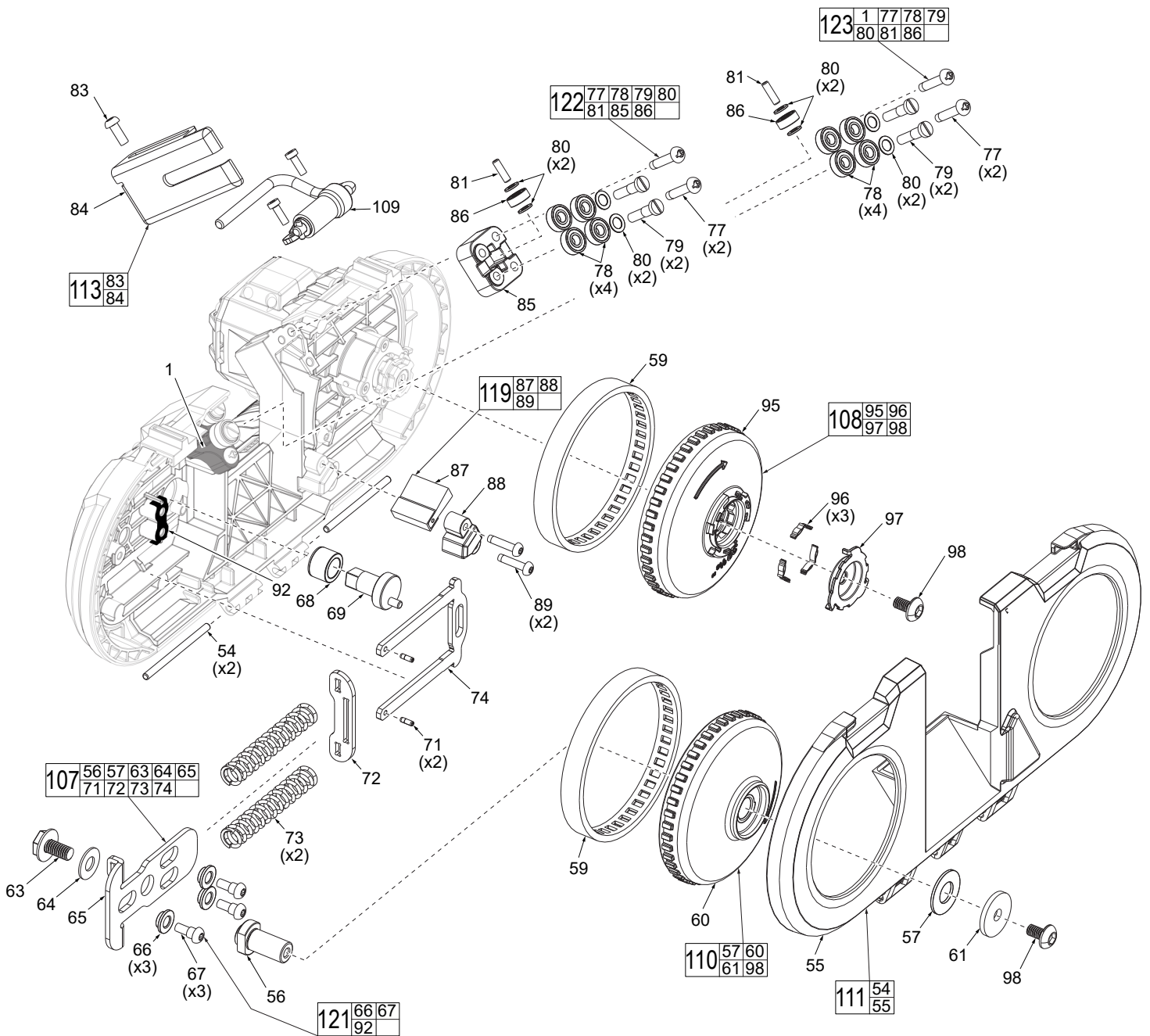
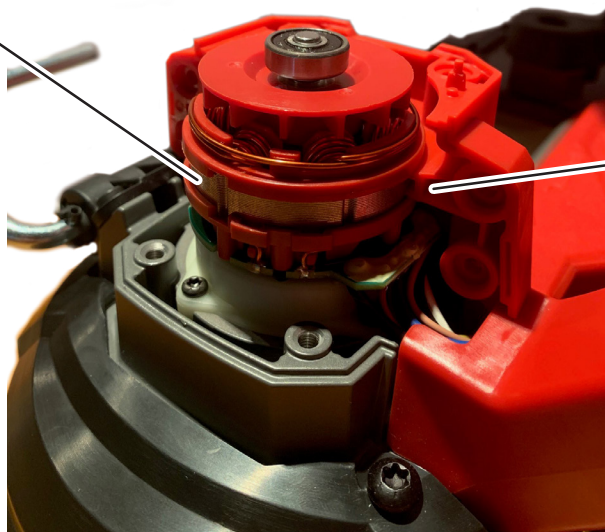


FIG.	PART NO.	DESCRIPTION OF PART	NO. REQ.	FIG.	PART NO.	DESCRIPTION OF PART	NO. REQ.
1	-----	Front Roller Block	(1)	83	-----	M5 x 13mm Machine Screw	(1)
54	-----	Hinge Pin	(2)	84	-----	Shoe	(1)
55	-----	Blade Cover	(1)	85	-----	Roller Block	(1)
56	42-12-0023	Front Pulley Axle	(1)	86	-----	Ball Bearing	(2)
57	-----	Rubber Washer	(2)	87	-----	Tire Cleaning Brush	(1)
59	45-69-0030	Pulley Tire	(2)	88	-----	Tire Cleaning Brush Cover	(1)
60	-----	Pulley	(1)	89	06-82-5346	8-32 x 3/4" PH Taptite Screw	(2)
61	-----	Steel Washer	(1)	92	-----	Wear Plate	(1)
63	06-75-0035	5/16-18 Machine Screw	(1)	95	-----	Rear Pulley	(1)
64	-----	Flat Washer	(1)	96	-----	Reamer Detent Spring Plate	(3)
65	-----	Support Plate	(1)	97	-----	Reamer Retaining Washer	(1)
66	42-40-0115	Tension Bushing	(3)	98	05-84-0025	1/4-20 Mach. Screw	(2)
67	06-81-0075	10-32 PH T25 Screw	(3)	107	42-28-0029	Tensioning Mechanism Assembly	(1)
68	42-40-0135	Bushing	(1)	108	28-95-0027	Rear Pulley Kit	(1)
69	30-15-0010	Cam	(1)	109	14-36-0034	Hook Assembly	(1)
71	-----	Driver plate Stop Pins	(2)	110	28-95-0026	Front Pulley Assembly	(1)
72	-----	Contact Plate	(1)	111	14-46-2529	Blade Cover Kit	(1)
73	-----	Spring	(2)	113	14-74-0104	Shoe Kit	(1)
74	-----	Driver Plate	(1)	119	14-46-0176	Tire Brush Kit	(1)
77	06-82-5574	10-24 PH T25 Taptite Screw	(4)	120	42-09-0021	Tension Cam Kit	(1)
78	02-04-0110	Ball Bearing	(8)	121	42-09-2519	Tension Screw Kit	(1)
79	06-82-0120	12-24 CH Slotted Screw	(4)	122	42-24-0024	Rear Guide Roller Kit	(1)
80	-----	Washer	(4)	123	42-24-0022	Front Guide Roller Kit	(1)
81	06-54-0090	Pin	(2)				

As an aid to reassembly, take notice of wire routing and position in wire guides and traps while dismantling tool. Be careful and avoid pinching wires between handle halves and between deck and metal cover plate when assembling.

Ensure rib on Motor Housings (15, 22) is fixed into the Stator lamination slot.

Stator lamination slot

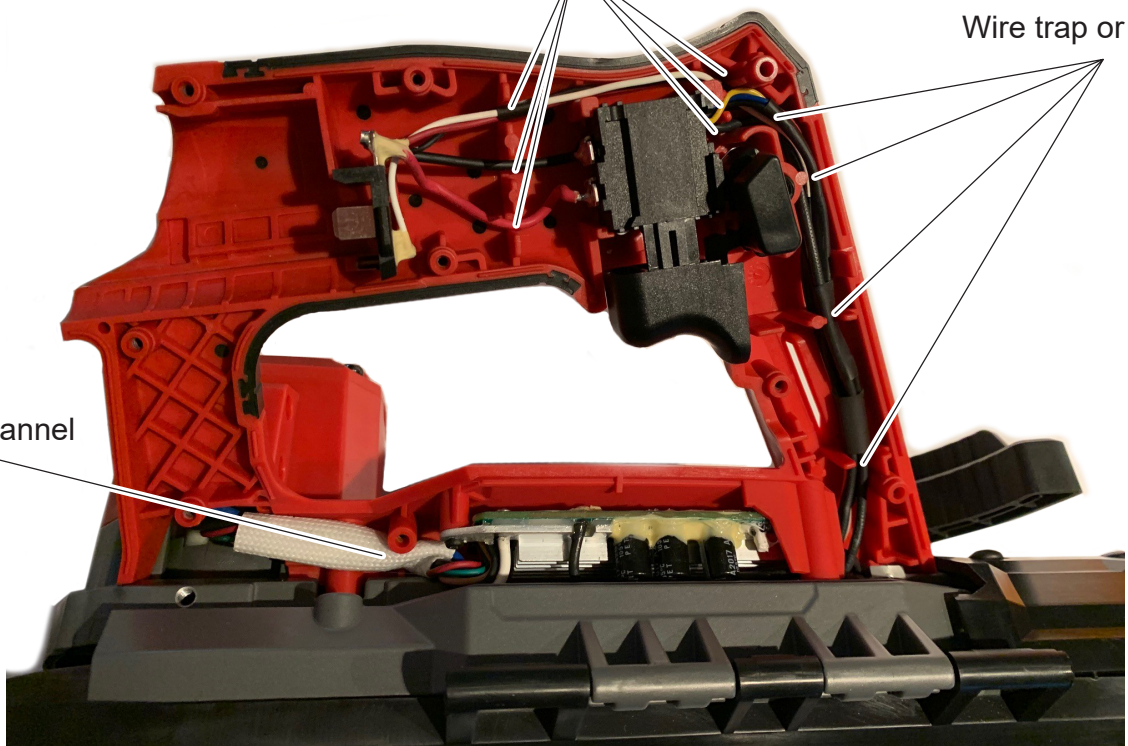


Rib

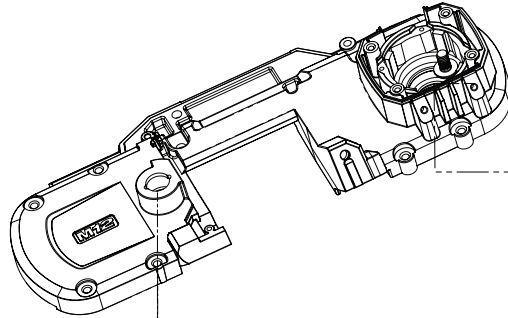
Wire trap or channel

Wire trap or channel

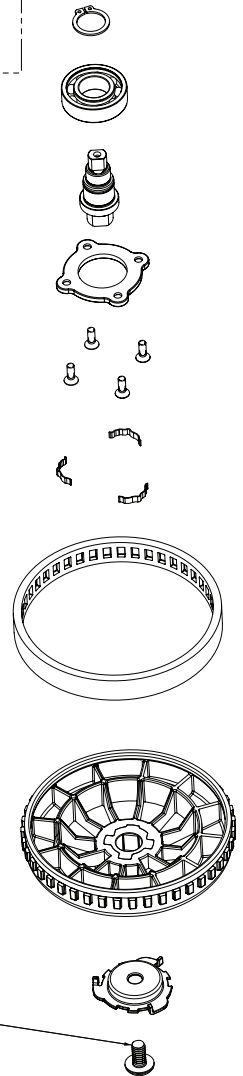
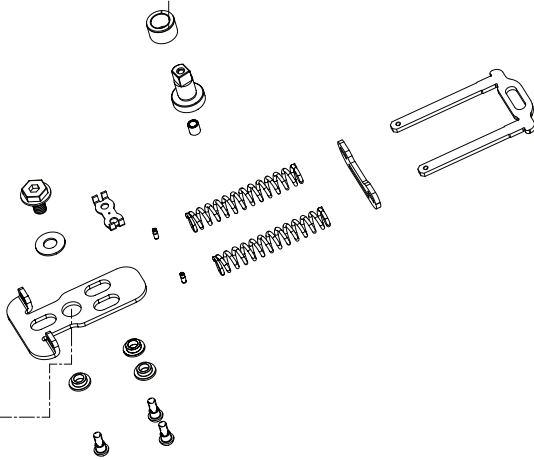
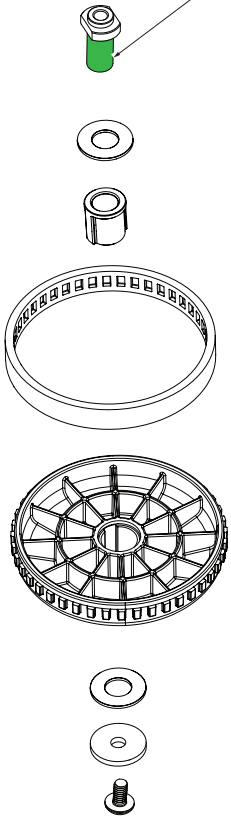
Wire trap or channel



# Lubrication



Apply 0.1g of  
Type "J" Grease



Apply 0.1g Loctite  
to threads

