



# SERVICE PARTS LIST

**BULLETIN NO.**  
**54-40-2671**

SPECIFY CATALOG NO. AND SERIAL NO. WHEN ORDERING PARTS		REVISED BULLETIN	DATE
<b>M18™ SAWZALL® Reciprocating Saw</b>		54-40-2670	Oct. 2015
<b>CATALOG NO.</b>	<b>2621-20</b>	<b>WIRING INSTRUCTION</b>	
	<b>STARTING SERIAL NO.</b>	<b>SEE PAGE 4</b>	
	<b>G09B</b>		

**EXAMPLE:**  
Component Parts (Small #) Are Included When Ordering The Assembly (Large #).

★ = Part number change from previous service parts list.

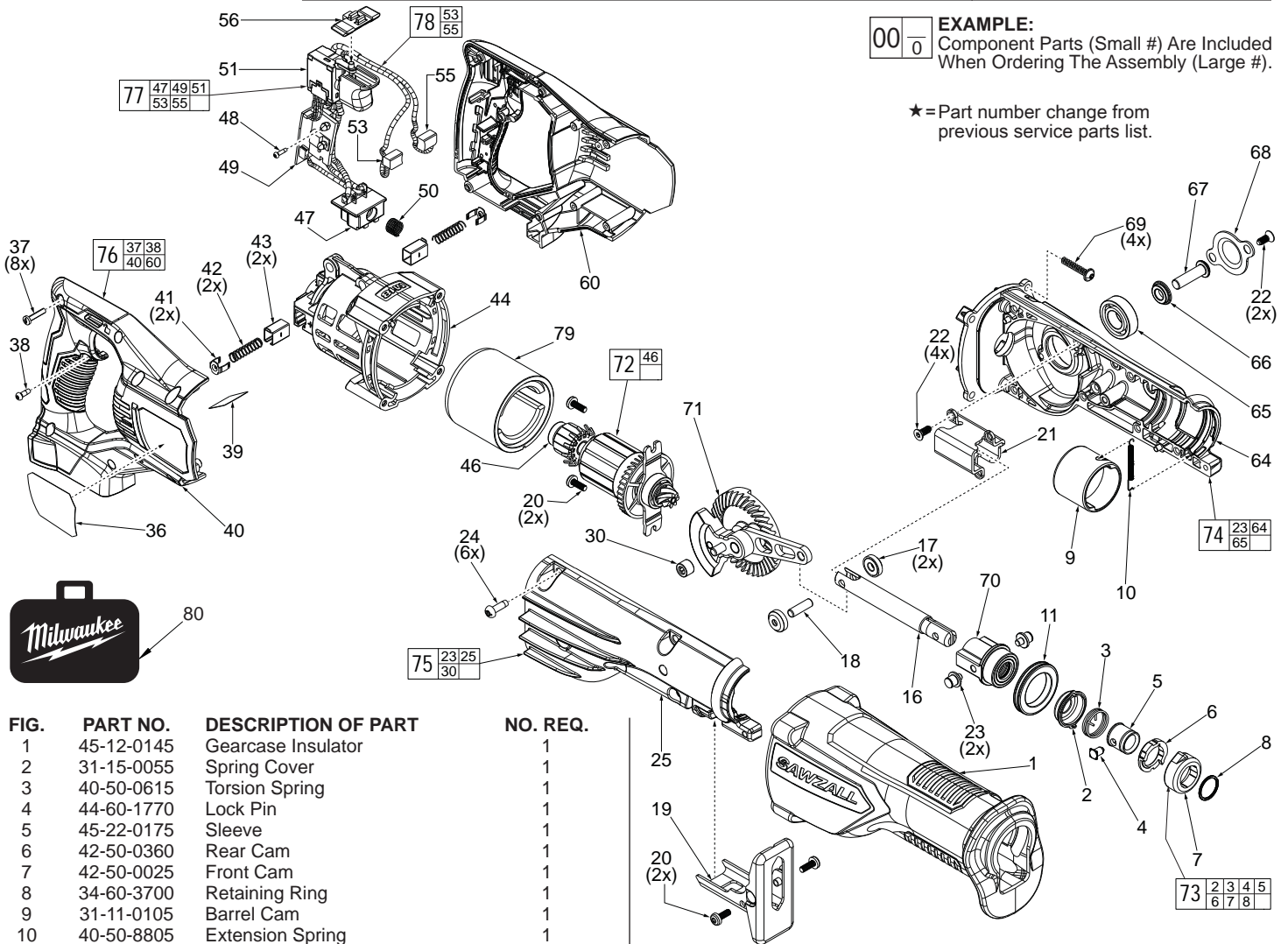


FIG.	PART NO.	DESCRIPTION OF PART	NO. REQ.
1	45-12-0145	Gearcase Insulator	1
2	31-15-0055	Spring Cover	1
3	40-50-0615	Torsion Spring	1
4	44-60-1770	Lock Pin	1
5	45-22-0175	Sleeve	1
6	42-50-0360	Rear Cam	1
7	42-50-0025	Front Cam	1
8	34-60-3700	Retaining Ring	1
9	31-11-0105	Barrel Cam	1
10	40-50-8805	Extension Spring	1
11	45-06-0230	'H' Orbit Seal	1
16	38-50-0076	Spindle	1
17	42-40-2052	Rollers	2
18	06-65-0145	Pin - Connecting Rod	1
19	45-16-0125	Shoe Assembly	1
20	06-82-5324	10-24 x 1/2" Pan Hd. Tapt. T-25 Screw	4
21	43-56-0045	Orbit Slot	1
★22	06-82-8890	DG50 x 1.22 x 12.7 T-25 Screw	6
23	06-65-0135	Pivot Pin	2
24	06-82-5411	10-24 x .625 Pan Hd. Tapt. T-25 Screw	6
25	-----	Gearcase - Right	1
30	02-50-1611	Needle Bearing	1
36	12-20-0047	Service Nameplate	1
37	06-82-7261	6-19 x 16mm Pan Hd. Plast. T-15 Scr	8
38	05-88-1610	M3.5 x 10 Pan Hd. Plastite T-10 Screw	1
39	10-15-0955	Warning Label	1
40	-----	Right Handle Halve	1
41	22-32-0400	Brush Spring Clip	2
42	40-50-8840	Brush Spring	2
43	22-20-0860	Brush Tube	2
44	31-50-0037	Motor Housing	1
46	02-04-0645	Ball Bearing	1
47	-----	Battery Connector Block	1
48	06-82-2395	M2.6 x 10mm Pan Hd. Tapt. T-8 Screw	1
49	-----	PCBA	1
50	40-50-1090	Connector Block Spring	1
51	-----	On-Off Switch	1
53	-----	Carbon Brush - Red	1
55	-----	Carbon Brush - Black	1

FIG.	PART NO.	DESCRIPTION OF PART	NO. REQ.
56	42-42-0092	Lockoff Shuttle	1
60	-----	Left Handle Halve	1
64	-----	Gearcase Assy. - Left w/ Locating Pins	1
65	02-04-1516	Ball Bearing	1
★66	42-40-0078	Spacer	1
67	06-08-0019	Drive Hub Bolt (Left Hand Thread)	1
68	44-66-0288	Bearing Retaining Plate	1
69	05-88-8309	M5 x 35mm Pan Hd. Tapt. T-20 Screw	4
70	44-86-0052	Spindle Bushing Assembly	1
★71	14-09-1005	Crankshaft Assembly	1
72	16-01-2622	Armature Assembly	1
73	42-68-0102	Quik-Lok® Blade Clamp Assembly	1
74	14-30-0062	Gearcase Assembly - Left	1
75	14-30-0072	Gearcase Assembly - Right	1
76	14-34-0132	Handle Assembly	1
77	14-20-0147	Electronics Assembly	1
78	22-18-0082	Carbon Brush Assembly (Set of 2)	1
79	18-01-2622	Field Assembly	1
80	42-55-2621	Carrying Case	1

**SEE ADDITIONAL SERVICE NOTES ON FOLLOWING PAGES**