



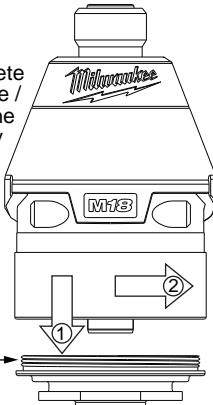
SERVICE PARTS LIST

BULLETIN NO.
55-26-2651

SPECIFY CATALOG NO. AND SERIAL NO. WHEN ORDERING PARTS		REVISED BULLETIN	DATE
M18 FUEL™ 1/4" Hex Impact Driver		55-26-2650	Mar. 2015
CATALOG NO.	2653-059	WIRING INSTRUCTION	
STARTING SERIAL NO.	F20B	SEE PAGE 2	

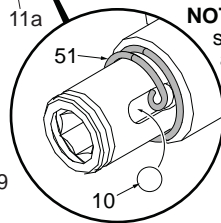
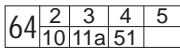
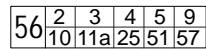
IMPORTANT NOTE: Gearcase end cap #25 is LEFT HAND THREAD!

As an aid to assembly, carefully lower the complete front end of tool (gearcase / impacting system) onto the gearcase end cap. Gently hand tighten front end assembly onto gearcase end cap. Be careful not to cross-thread! Once installed by hand, seat gearcase end cap with a good adjustable wrench using light pressure. Do not over tighten!



LEFT HAND THREAD

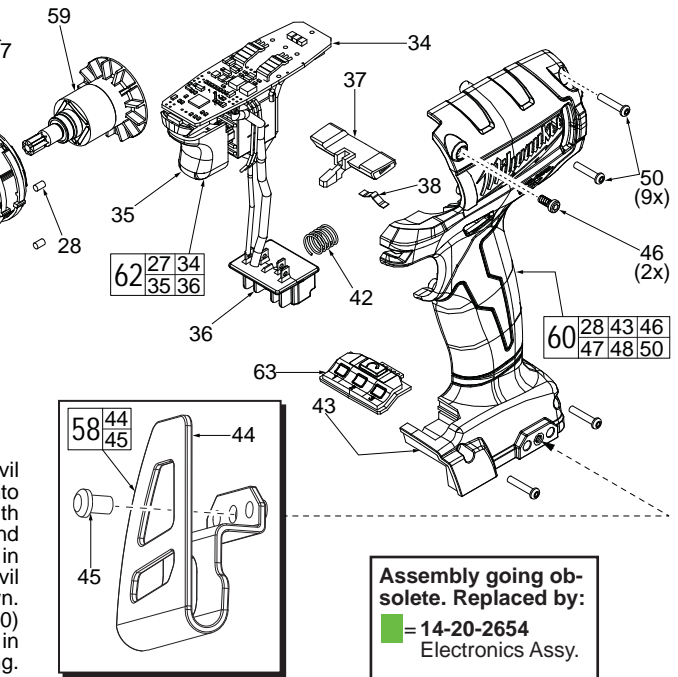
NOTE: Components of the impacting assembly (61) can drop out of the gearcase (57). Care must be taken to hold those elements in place when assembling onto the gearcase end cap (25).



NOTE: Place anvil spring (51) onto anvil (11a) with curled end inserted in slot of anvil as shown. Place ball (10) in anvil slot in front of spring.

★ = Part number change from previous service parts list.

EXAMPLE:
Component Parts (Small #) Are Included When Ordering The Assembly (Large #).

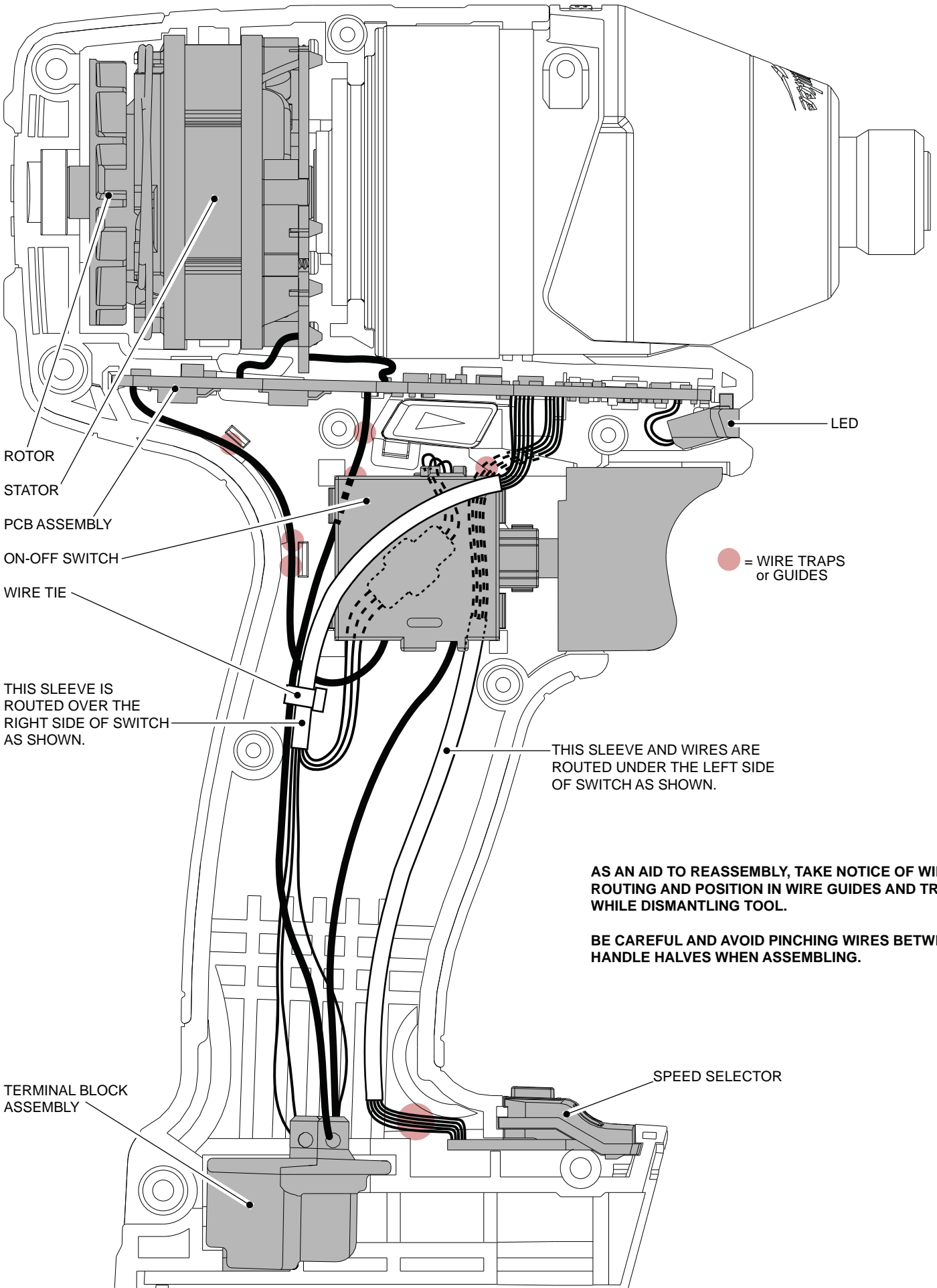


Assembly going obsolete. Replaced by:
14-20-2654 Electronics Assy.

FIG.	PART NO.	DESCRIPTION OF PART	NO. REQ.
1	31-12-2653	Rubber Cap	(1)
2	45-22-0012	Sleeve	(1)
3	34-60-0005	Retaining Ring	(1)
4	45-88-0022	Washer	(1)
5	40-50-0056	Spring	(1)
9	45-88-2653	Plastic Washer	(1)
10	02-02-1100	4.0mm Steel Ball	(1)
11a	-----	1/4" Hex Anvil	(1)
12	02-02-1300	5mm Steel Ball	(1)
19	02-02-0180	4.7mm Steel Ball	(2)
24	-----	Ring Gear	(1)
25	44-66-2653	Gearcase End Cap with Ball Bearing	(1)
27	-----	Stator Assembly	(1)
28	45-30-2653	Rubber Slug	(4)
34	-----	PCBA	(1)
35	23-66-2653	On-Off Switch	(1)
36	-----	Terminal Block Assembly	(1)
37	45-24-2653	Fwd/Rev Shuttle	(1)
38	40-50-1135	Spring	(1)
42	40-50-1090	Spring	(1)
43	-----	Left Handle Halve	(1)
44	-----	Belt Hook	(1)
45	06-82-0130	6-32 x 5/16" Pan Hd. T-15 Machine Scr	(1)
46	06-82-2653	M3.5 x 8mm Pan Hd. Plastite Screw	(2)
47	-----	Right Handle Halve	(1)
48	-----	Service Nameplate (Not Shown)	(1)
49	42-55-2653	Carrying Case	(1)

FIG.	PART NO.	DESCRIPTION OF PART	NO. REQ.
50	06-82-7236	4-20 x 5/8" Pan Hd. Plastite T-10 Scr	(9)
51	40-50-0018	Anvil Spring	(1)
56	14-30-2653	Gearcase Assembly	(1)
57	28-50-2653	Front Gearcase	(1)
58	42-70-2653	Belt Clip Assembly	(1)
★ 59	16-07-2673	Rotor Assembly	(1)
★ 60	31-44-2670	Handle Assembly	(1)
61	14-30-2655	Impacting Assembly	(1)
62	14-20-2653	Electronics Assembly	(1)
63	45-24-2655	Speed Selector	(1)
64	42-06-0020	1/4" Hex Anvil Assembly	(1)
65	14-46-2653	Rotor/Housing Kit	(1)

- FIG. LUBRICATION (Type 'J' Grease, No. 49-08-4220):**
- 10,11a Lightly coat front washer surface of anvil (11a) with grease, place a dab in the ball slot of anvil and in needle bearing inside the anvil.
 - 24,61 Lightly coat the I.D. of the ring gear (24) and the center of the planet gears of impacting assembly with grease.
 - 57 Coat inside of bushing inside front gearcase with grease.
 - 59 Coat pinion of rotor assembly (59) with grease.



ROTOR

STATOR

PCB ASSEMBLY

ON-OFF SWITCH

WIRE TIE

THIS SLEEVE IS ROUTED OVER THE RIGHT SIDE OF SWITCH AS SHOWN.

TERMINAL BLOCK ASSEMBLY

LED

● = WIRE TRAPS or GUIDES

THIS SLEEVE AND WIRES ARE ROUTED UNDER THE LEFT SIDE OF SWITCH AS SHOWN.

AS AN AID TO REASSEMBLY, TAKE NOTICE OF WIRE ROUTING AND POSITION IN WIRE GUIDES AND TRAPS WHILE DISMANTLING TOOL.

BE CAREFUL AND AVOID PINCHING WIRES BETWEEN HANDLE HALVES WHEN ASSEMBLING.

SPEED SELECTOR