

POWERMATIC®

Operating Instructions and Parts Manual

Accu-Fence®

for Models 66, 72A, PM2000, PM3000



Powermatic
427 New Sanford Rd.
LaVergne, TN 37086
Ph.: 800-274-6848
www.powermatic.com

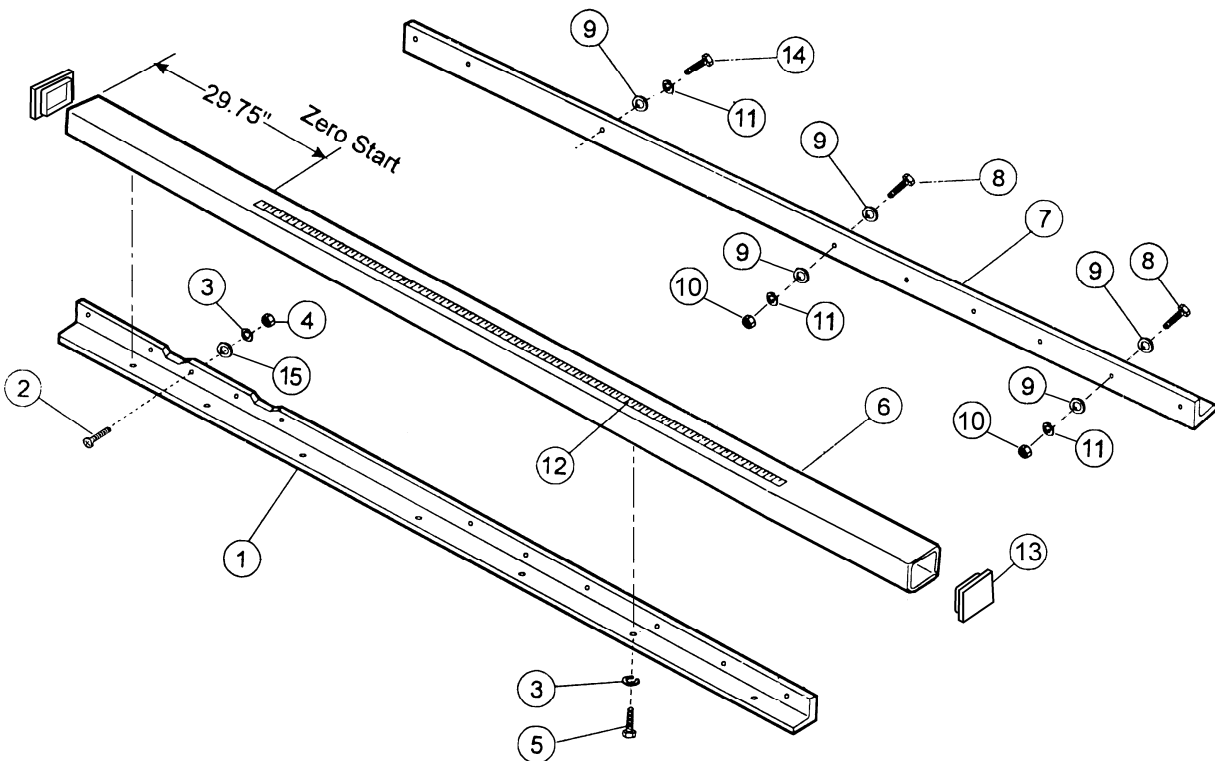
Part No. M-2195079Z
Revision C 01/2015
Copyright © 2015 Powermatic

Replacement Parts

To order parts or reach our service department, call 1-800-274-6848, Monday through Friday (see our website for business hours, www.powermatic.com). Having the Model Number and Serial Number of your machine available when you call will allow us to serve you quickly and accurately.

Rail Assembly

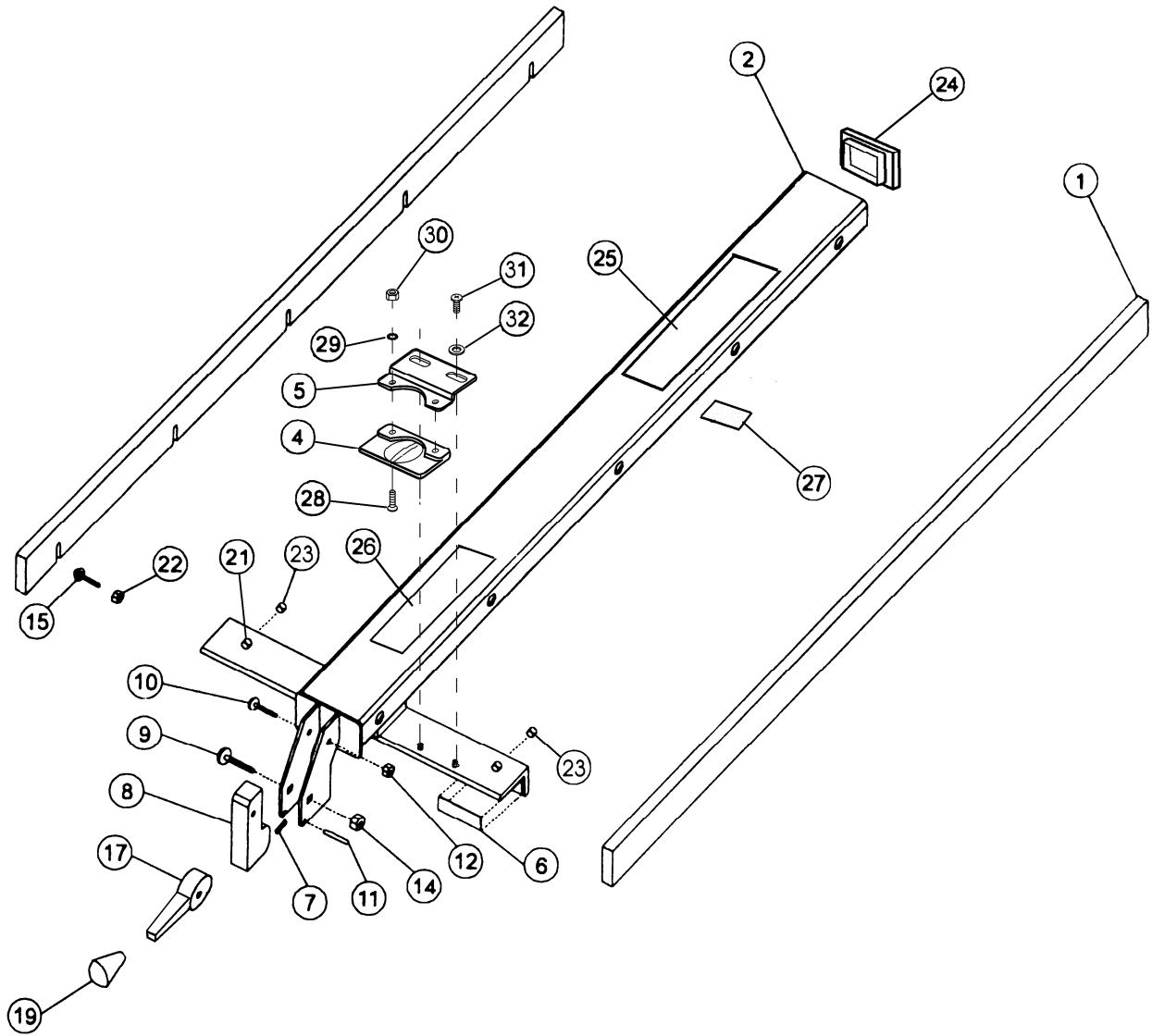
Index No.	Part No.	Description	Size	Qty
	2653031Z	PM2000//PM3000/66/72A Rail Assembly - Standard	50" rip	1
	2653039Z	PM2000/66 Rail Assembly – Short	30" rip	1
1	3653217	Front Fence Rail – Standard (50" rip)	72" L	1
	3653237	Front Fence Rail – Short (30" rip)	52-1/2" L	1
2	TS-081F081	Flat Head Screw	1/4-20 x 1-1/2	10
3	TS-0720071	Lock Washer	1/4	18
4	TS-0561011	Hex Nut	1/4-20	10
5	TS-0050031	Hex Cap Screw	1/4-20 x 3/4	8
6	3254010	Front Fence Guide – Standard (50" rip)	84" L	1
	3254022	Front Fence Guide – Short (30" rip)	64" L	1
7	3653218	Back Fence Rail – Standard (50" rip)	72" L	1
	3653238	Back Fence Rail – Short (30" rip)	52-1/2" L	1
8	TS-0051071	Hex Cap Screw	5/16-18 x 1-1/2	6
9	TS-0680031	Flat Washer	5/16	14
10	TS-0561021	Hex Nut	5/16-18	6
11	TS-0720081	Lock Washer	5/16	8
12	6687008	Scale	53" L x 3/4" W	1
	6687013	Scale	32" L x 3/4" W	1
13	6166069	Cap Plug		2
14	TS-0051041	Hex Cap Screw	5/16-18 x 7/8	2
	2405120	Hardware Kit (not shown)		1
15	TS-0680021	Flat Washer	1/4	10



Accu-Fence Parts

Index No.	Part No.	Description	Size	Qty
	2195079Z	66 & PM2000 Accu-Fence Assembly		1
	2195080	72A & PM3000 Accu-Fence Assembly		1
	2726008	Fence Side Plate (Models 66, PM2000) (includes one side plate (item 1) and items 15, 22)		1(set)
	2726009	Fence Side Plate Kit (Models 72A, PM3000) (includes two side plates (item 1) and items 15, 22)		1
1	2726009FSP	Fence Side Plate (Models 72A, PM3000) (includes one side plate only, no fasteners)		2
2	2056033	Fence Body (Weld Models 66, PM2000)		1
	2056034	Fence Body (Weld Models 72A, PM3000)		1
4	800708950D	Cursor		1
5	800708950C	Cursor Bracket		1
6	3575080	Fluoroway Pad		2
7	6813042	Compression Spring		1
8	3215301	Foot Cam		1
9	TS-0152031	Carriage Bolt	5/16-18 x 1-1/2	1
10	TS-0151041	Carriage Bolt	1/4-20 x 1-1/2	1
11	6626031	Spring Pin		1
12	TS-0640071	Lock Nut	1/4-20	1
14	TS-0640081	Lock Nut	5/16-18	1
15	XF2-9	T-Square Bolt (66, PM2000)	1/4-20 x 3/4	10
	XF2-9	T-Square Bolt (72A, PM3000)	1/4-20 x 3/4	12
17	3076232	Locking Cam		1
19	6430055	Knob w/ Stud		1
21	XF-5	Nylon Adjustment Screw		2
22	TS-0640071	Lock Nut (66, PM2000)	1/4-20	10
	TS-0640071	Lock Nut (72A, PM3000)	1/4-20	12
23	TS-0271031	Set Screw	3/8-16 x 3/8	2
24	6166069	Cap Plug		1
25	3312341	Powermatic Logo		1
26	3408241	Accu-Fence Label		1
27	XF2-108	Pad		1
28	TS-081D021	Flat Head Machine Screw	10-32 x 3/8	2
29	TS-0733031	Ext. Tooth Lock Washer	#10	2
30	TS-0560081	Hex Nut	10-32	2
31	TS-081D022	Pan Head Machine Screw	10-32 x 3/8	2
32	TS-0680021	Flat Washer	1/4	2

Accu-Fence Assembly



427 New Sanford Rd.
LaVergne, TN 37086
Phone: 800-274-6848
www.powermatic.com