



SERVICE PARTS LIST

BULLETIN NO.
55-26-2530

SPECIFY CATALOG NO. AND SERIAL NO. WHEN ORDERING PARTS		REVISED BULLETIN	DATE
M18™ 1/2" Square Impact Wrench			Mar. 2015
CATALOG NO.	2659-059	STARTING SERIAL NO.	F73A
			WIRING INSTRUCTION SEE PAGE 3

EXAMPLE:
00 0 Component Parts (Small #) Are Included
When Ordering The Assembly (Large #).

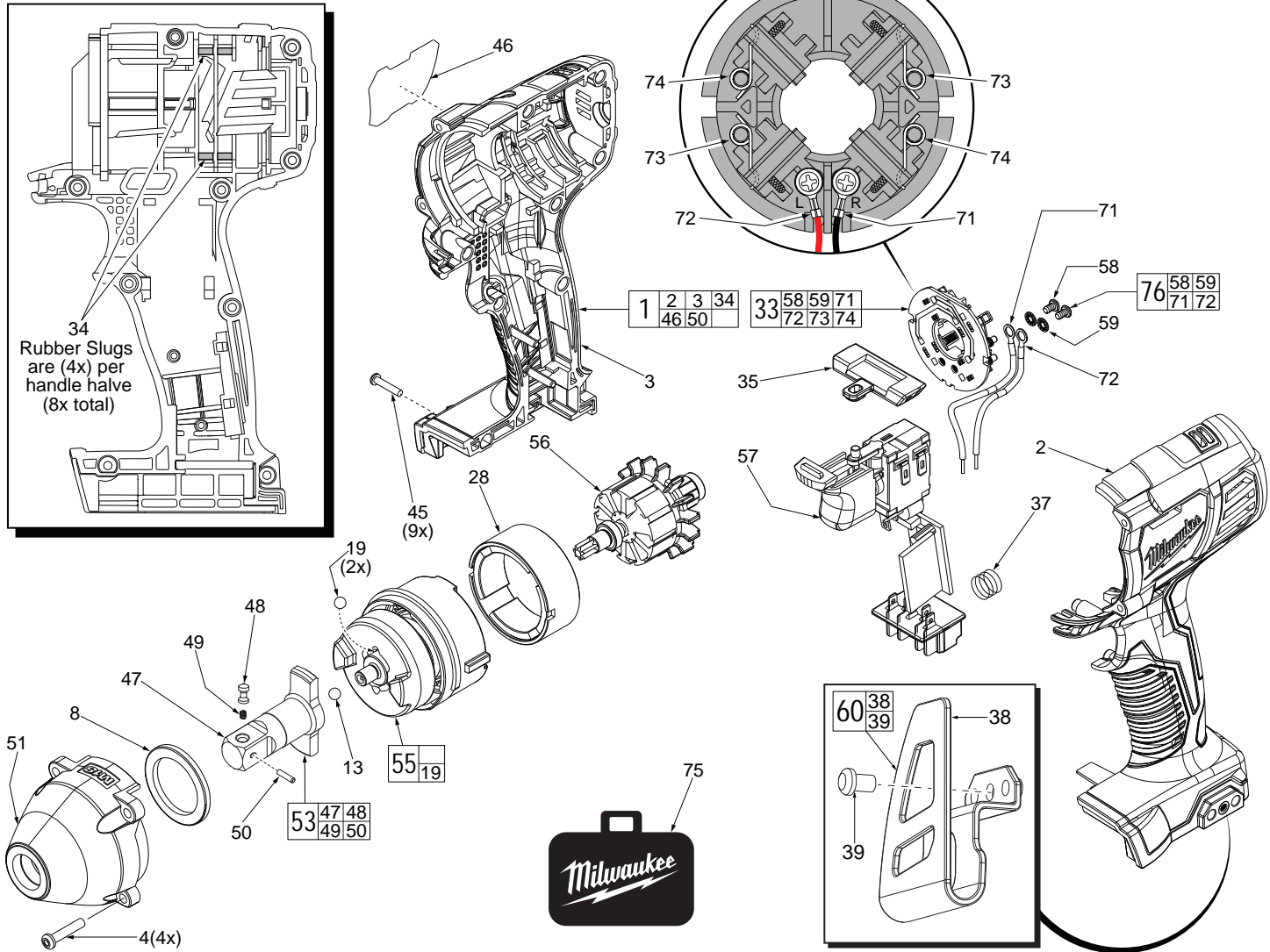


FIG.	PART NO.	DESCRIPTION OF PART	NO. REQ.
1	31-44-1040	Housing Assembly	1
2	-----	Left Housing Halve	1
3	-----	Right Handle Halve	1
4	05-88-0400	M4 x 20mm Pan Hd. T-20 Screw	4
8	45-88-1317	Plastic Washer	1
13	02-02-1300	M5 Steel Ball	1
19	02-02-0180	4.7mm Steel Ball	2
28	18-01-3010	Service Field	1
33	22-22-2657	Brush Card Assembly	1
34	45-30-0250	Rubber Slug	8
35	45-24-2657	Forward / Reverse Shuttle	1
37	40-50-1090	Terminal Block Spring	1
38	-----	Belt Clip	1
39	06-82-0130	6-32 x 5/16" Pan Hd. T-15 Mach. Screw	1
45	06-82-6350	M3 x 16m Pan Hd. ST T-10 Screw	9
46	-----	Nameplate	1
47	-----	1/2" Square Anvil with Needle Bearing	1
48	44-60-0515	Detent Pin	1
49	40-50-0925	Spring	1
50	06-65-0150	Roller Pin	1
51	28-50-0060	Front Gearcase with Bushing	1
53	42-06-0105	1/2" Square Anvil Assembly with Bearing	1

FIG.	PART NO.	DESCRIPTION OF PART	NO. REQ.
55	14-30-0115	Gearbox Assembly	1
56	16-01-3010	Service Armature Assembly	1
57	23-66-2659	Electronics Assembly Consisting of On-Off Switch, PCBA, Battery Connector Block and LED	1
58	05-88-0926	M3 x 5mm Pan Hd. T-10 Screw	2
59	45-88-1980	Spring Washer	2
60	42-70-2653	Belt Clip Assembly	1
71	-----	Leadwire Assembly - Black - Right Side	1
72	-----	Leadwire Assembly - Red - Left Side	1
73	-----	Brush Spring - Right	2
74	-----	Brush Spring - Left	2
75	42-55-2762	Carrying Case	1
76	14-46-2394	Leadwire/Screw/Washer Kit	1
77	10-20-1126	Warning Label (Not Shown)	1

INSTALLING BRUSH SPRINGS ON A BRUSH CARD ASSEMBLY WITH FOUR (4) BRUSHES

There are two Right Hand Brush Springs and two Left Hand Brush Springs. If needed, follow the instructions below for proper installation.

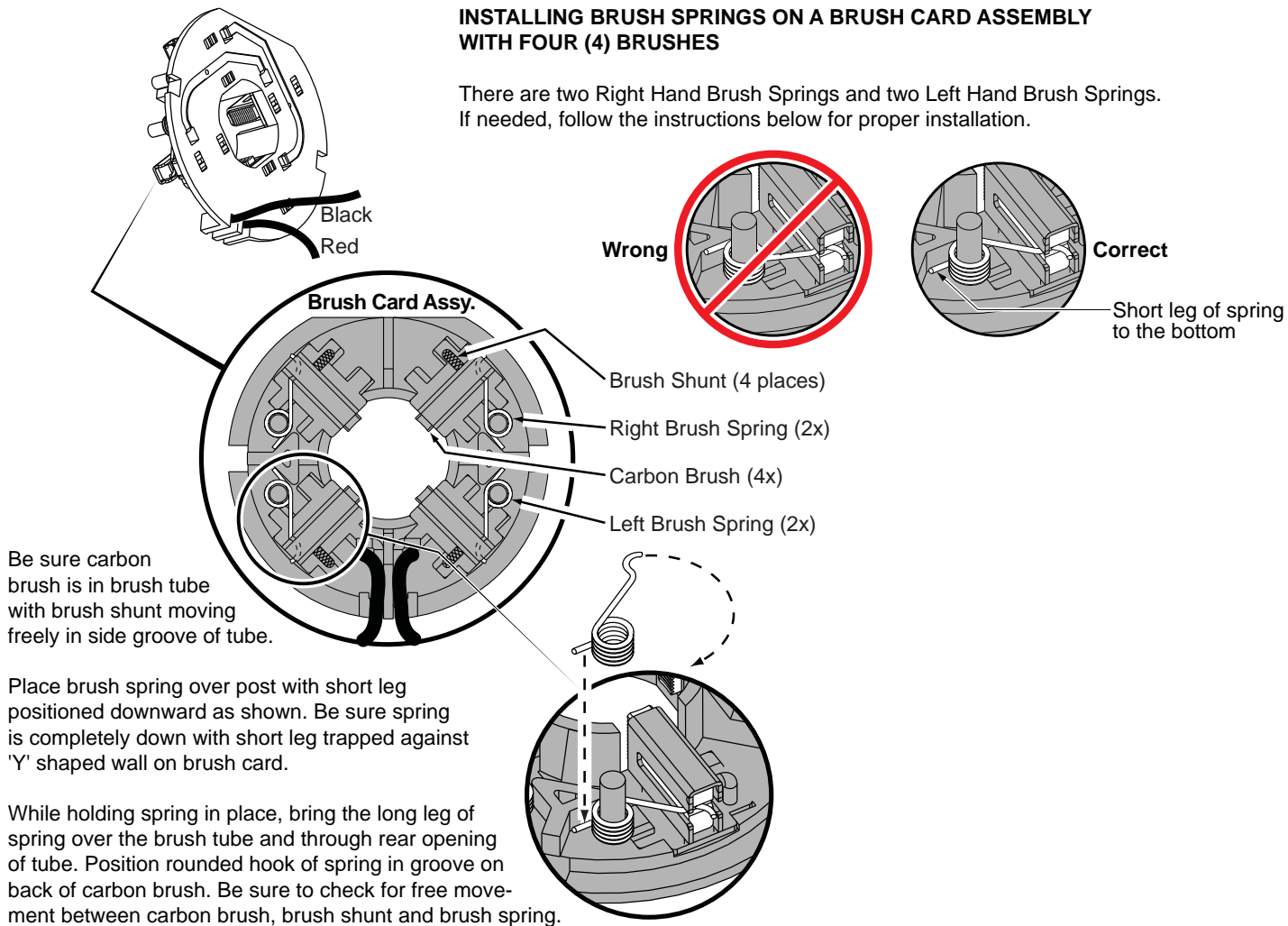


FIG. NOTES:

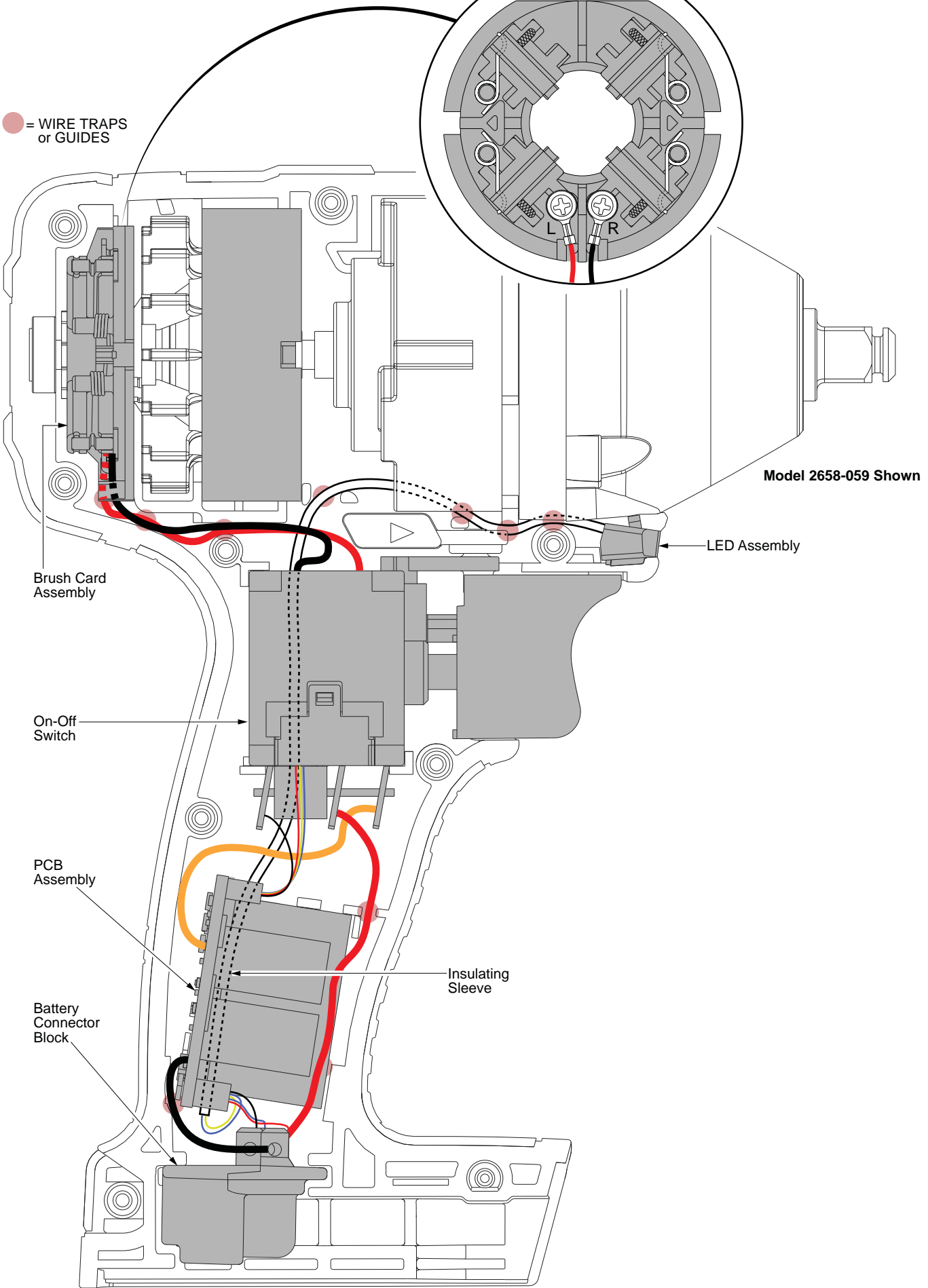
- 15,16,17 See service note and illustration on the back of bulletin to aid with the removal and installation of the the Brush Card (15), Armature (16) and Field (17).
- 17 Field (17) to be positioned with side cut-outs to the front.
- 20,21 Position Ring Gear (21) with three lugs face down to interlock in the bottom of Rear Case (20).
- 20,43 Be sure to match the raised contours on the bottom of Rear Case (20) with raised contour on bottom of Front Case (43) when assembling.
- 29,30 Make sure concave side of Washer (29) faces Spring (30).
- 42,43 Tapered end of Front Washer (42) to face Front Case (43).

FIG. LUBRICATION (Type 'J' Grease, No. 49-08-4220):

- 21,26 Lightly coat I.D. of the Ring Gear (21) and center of the two Planet Gears (26) with grease.
- 27 Place a dab of grease in the ball grooves of the Cam Shaft (27).
- 36,37 Lightly coat front washer surface of Anvil (36) with grease, place a dab in the Ball holes of Anvil and in Needle Bearing inside the Anvil.
- 43 Coat inside grooves of Bushing (inside of 43) with grease.

Brush Card Assy.

● = WIRE TRAPS or GUIDES



Model 2658-059 Shown

LED Assembly

Brush Card Assembly

On-Off Switch

PCB Assembly

Battery Connector Block

Insulating Sleeve