



# SERVICE PARTS LIST

**BULLETIN NO.**  
**54-26-2690**

SPECIFY CATALOG NO. AND SERIAL NO. WHEN ORDERING PARTS		REVISED BULLETIN	DATE
<b>CORDLESS 18V 7/16" HEX IMPACT WRENCH</b>			Aug. 2014
CATALOG NO.	<b>2665-20</b>	STARTING SERIAL NO.	<b>B82A</b>
		WIRING INSTRUCTION <b>See Page 3</b>	

**EXAMPLE:**  
Component Parts (Small #)  
Are Included When Ordering  
The Assembly (Large #).

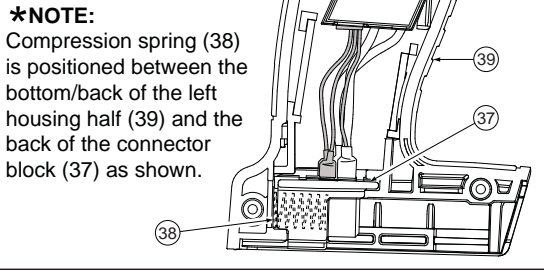
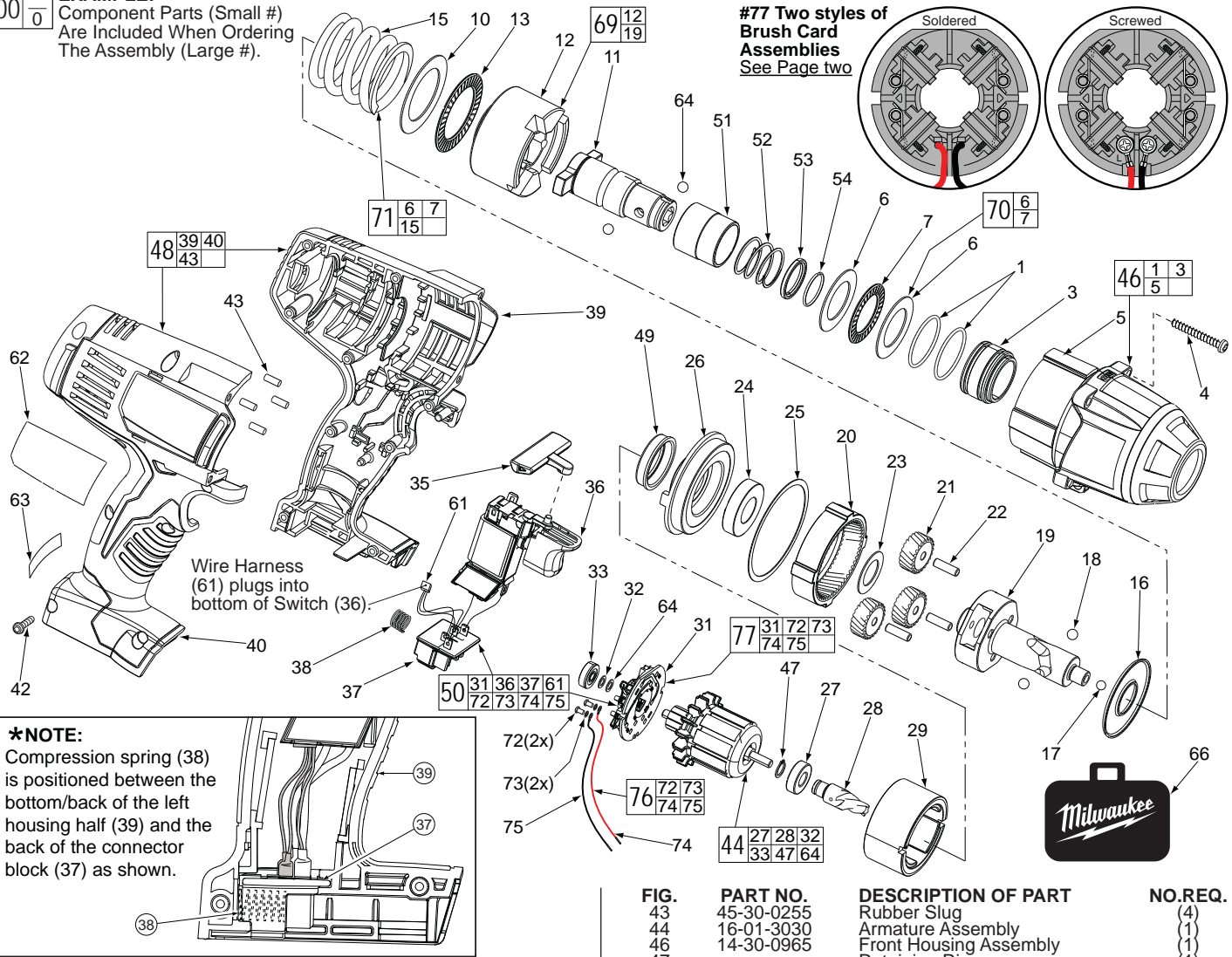


FIG.	PART NO.	DESCRIPTION OF PART	NO. REQ.
1	-----	O-Ring	(2)
3	-----	Bushing	(1)
4	05-88-5988	M5 X 35mm Pan Hd. Slit. T-20 Screw	(4)
5	-----	Gearcase Housing	(1)
6	-----	Washer	(2)
7	-----	Thrust Bearing	(1)
10	45-88-1006	Washer	(1)
11	42-06-0700	7/16" Hex Anvil	(1)
12	-----	Hammer	(1)
13	02-80-0200	Thrust Bearing	(1)
15	-----	Compression Spring	(1)
16	45-88-1650	Washer	(1)
17	02-02-7010	7/32" Ball	(1)
18	02-02-0250	1/4" Ball	(2)
19	-----	Camshaft	(1)
20	32-65-0260	Ring Gear	(1)
21	32-62-0500	Planet Gear	(3)
22	44-60-1960	Pin	(3)
23	45-88-1655	Washer	(1)
24	02-04-0375	Ball Bearing	(1)
25	34-40-0290	Seal Ring	(1)
26	44-66-0895	Motor Mount Plate	(1)
27	-----	Ball Bearing - Front	(1)
28	-----	Pinion	(1)
29	18-01-3025	Service Field Assembly	(1)
31	-----	Brush Card	(1)
32	-----	Washer	(1)
33	-----	Ball Bearing - Rear	(1)
35	45-24-0570	Forward / Reverse Shuttle	(1)
36	23-66-0427	Switch	(1)
37	-----	Connector Block	(1)
38	40-50-1090	Compression Spring	(1)
39	-----	Handle - Left	(1)
40	-----	Handle - Right	(1)
42	06-82-0995	M4 x 16mm Pan Hd. T-20 Screw	(9)

FIG.	PART NO.	DESCRIPTION OF PART	NO. REQ.
43	45-30-0255	Rubber Slug	(4)
44	16-01-3030	Armature Assembly	(1)
46	14-30-0965	Front Housing Assembly	(1)
47	-----	Retaining Ring	(1)
48	31-44-0695	Handle Set	(1)
49	45-22-0380	Rubber Cap	(1)
50	22-56-1450	Switch/Connector Block Assembly	(1)
51	42-76-0185	Collar	(1)
52	40-50-0365	Collar Spring	(1)
53	44-90-0020	Support Ring	(1)
54	34-60-0050	Retaining Ring	(1)
61	-----	Wire Harness	(1)
62	12-20-2670	Service Nameplate Kit	(1)
63	10-20-2695	Warning Label	(1)
64	02-02-0250	1/4" Ball	(2)
65	-----	Washer	(1)
66	42-55-2665	Carrying Case, Optional	(1)
69	14-46-2070	Camshaft/Hammer Service Kit	(1)
70	45-88-1877	Washer/Bearing Kit	(1)
71	14-46-0755	Spring/Washer/Bearing Kit	(1)
72	05-88-0928	M3 x 5mm Pan Hd. T10 Screw	(2)
73	45-88-1980	Spring Washer	(2)
74	-----	Leadwire Assembly - Red	(1)
75	-----	Leadwire Assembly - Black	(1)
76	14-46-2395	Leadwire/Screw/Washer Kit	(1)
77	14-46-2024	Brush Card Assembly	(1)

**FIG. LUBRICATION**  
**(Type 'Z' Grease, No. 49-08-7655):**

20,21 Lightly coat the I.D. of the Ring Gear (20) and the center of the three Planet Gears (21) with grease.

19 Place a dab of grease in ball grooves of the Cam Shaft (19).

11 Lightly coat the front washer surface of Anvil (11) with grease, place a dab in the Ball hole on the backside of Anvil.

3 Coat outside grooves of Bushing (3) with grease.