

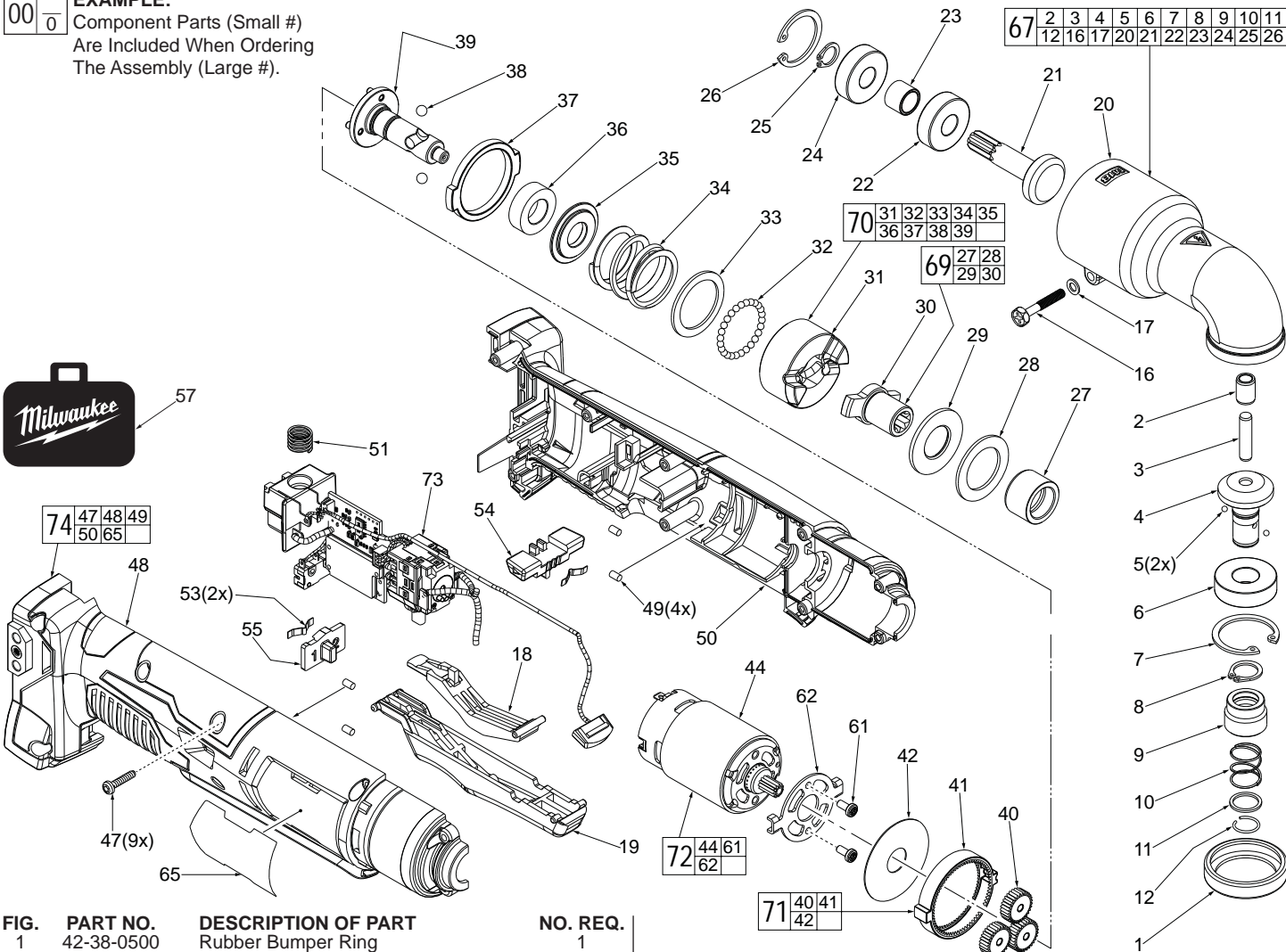


SERVICE PARTS LIST

BULLETIN NO.
54-26-2030

| | | | |
|--|---------------------------------|---|-----------|
| SPECIFY CATALOG NO. AND SERIAL NO. WHEN ORDERING PARTS | | REVISED BULLETIN | DATE |
| M18™ Right Angle 1/4" Hex Impact Driver | | | June 2014 |
| CATALOG NO. 2667-20 | STARTING SERIAL NO. G10A | WIRING INSTRUCTION See Page 2 | |

EXAMPLE:
Component Parts (Small #)
Are Included When Ordering
The Assembly (Large #).



| FIG. | PART NO. | DESCRIPTION OF PART | NO. REQ. |
|------|------------|--------------------------------|----------|
| 1 | 42-38-0500 | Rubber Bumper Ring | 1 |
| 2 | ----- | Bushing | 1 |
| 3 | ----- | Pin | 1 |
| 4 | ----- | 1/4" Hex Bevel Gear | 1 |
| 5 | ----- | 2.5mm Steel Ball | 2 |
| 6 | ----- | Ball Bearing | 1 |
| 7 | ----- | Retaining Ring | 1 |
| 8 | ----- | Retaining Ring | 1 |
| 9 | 45-22-0880 | Sleeve | 1 |
| 10 | 40-50-0297 | Spring | 1 |
| 11 | 45-88-0428 | Washer | 1 |
| 12 | 44-90-0650 | Retaining Ring | 1 |
| 16 | 06-82-3110 | M4 x 1" Hex Hd. Phillips Screw | 1 |
| 17 | 05-90-0225 | Spring Washer | 1 |
| 18 | 44-10-0052 | Multiplier | 1 |
| 19 | 31-92-0315 | Paddle | 1 |
| 20 | ----- | Gearcase | 1 |
| 21 | ----- | Bevel Pinion | 1 |
| 22 | ----- | Ball Bearing | 1 |
| 23 | ----- | Sleeve | 1 |
| 24 | ----- | Ball Bearing | 1 |
| 25 | ----- | Retaining Ring | 1 |
| 26 | ----- | Retaining Ring | 1 |
| 27 | ----- | Anvil Bushing | 1 |
| 28 | ----- | Washer | 1 |
| 29 | ----- | Nylon Ring | 1 |
| 30 | ----- | Anvil | 1 |
| 31 | ----- | Hammer | 1 |
| 32 | ----- | 3.0mm Steel Ball | 27 |
| 33 | ----- | Washer | 1 |
| 34 | ----- | Hammer Spring | 1 |
| 35 | ----- | Step Washer | 1 |
| 36 | ----- | Ball Bearing | 1 |
| 37 | ----- | Support Ring | 1 |
| 38 | ----- | 3/16" Steel Ball | 2 |

| FIG. | PART NO. | DESCRIPTION OF PART | NO. REQ. |
|------|------------|--|----------|
| 39 | ----- | Cam Shaft | 1 |
| 40 | ----- | Planet Gear | 3 |
| 41 | ----- | Ring Gear | 1 |
| 42 | ----- | Planetary Gear Washer | 1 |
| 44 | ----- | Motor with Pinion | 1 |
| 47 | 06-82-1080 | M13 x 14mm Pan Hd. Plast. T-10 Screw | 9 |
| 48 | ----- | Handle Halve - Right | 1 |
| 49 | 45-30-2653 | Rubber Slug | 4 |
| 50 | ----- | Handle Halve - Left | 1 |
| 51 | 40-50-1090 | Terminal Block Spring | 1 |
| 53 | 40-50-1135 | Spring Plate | 2 |
| 54 | 42-42-0083 | Forward/Reverse Shuttle | 1 |
| 55 | 44-10-1005 | Two Speed Shuttle | 1 |
| 57 | 42-55-2667 | Blow Molded Carrying case | 1 |
| 61 | 05-88-0926 | M3 x 5mm Pan Hd. Screw | 2 |
| 62 | ----- | Motor Mount Plate | 1 |
| 65 | 12-20-2667 | Service Nameplate | 1 |
| 67 | 28-14-2667 | 1/4" Hex Gearcase Assembly | 1 |
| 69 | 42-06-1037 | Anvil Assembly | 1 |
| 70 | 43-81-0200 | Hammer Assembly | 1 |
| 71 | 14-29-1005 | Planetary Gear Assembly | 1 |
| 72 | 23-30-1040 | Motor Assembly | 1 |
| 73 | 23-66-2667 | Electronics Assembly Consisting of: Switch, PCBA, LED and Terminal Connector Block | 1 |
| 74 | 31-44-2667 | Handle Halve Assembly | 1 |