

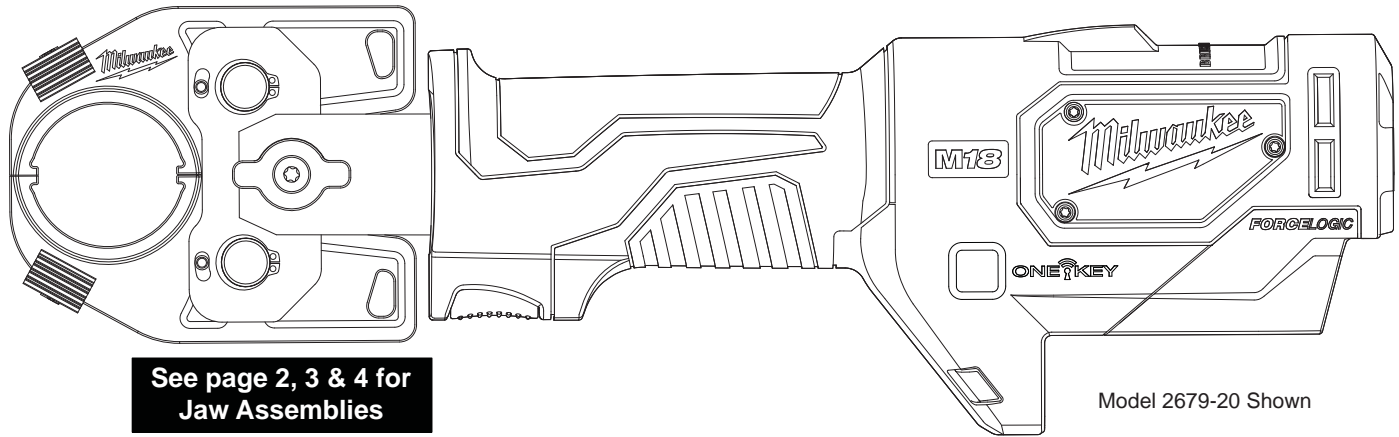


# SERVICE PARTS LIST

BULLETIN NO.  
54-00-6TCC

SPECIFY CATALOG NO. AND SERIAL NO. WHEN ORDERING PARTS		REVISED BULLETIN	DATE
M18™ FORCELOGIC™ 6T HYDRAULIC TOOLS			Feb. 2016
CATALOG NO.	SERIAL NUMBER	WIRING INSTRUCTION	

- 2672-20 M18™ FORCELOGIC™ 6T Cable Cutter and applicable jaw assemblies
- 2678-20 M18™ FORCELOGIC™ 6T Utility Crimper and applicable jaw assemblies
- 2679-20 M18™ FORCELOGIC™ 6T Commercial Crimper and applicable jaw assemblies



**Due to the combination of hydraulics and electronics in this tool, service can only be performed at this Milwaukee factory Repair Center:**

**MILWAUKEE ELECTRIC TOOL Central Repair  
1013 Sycamore Avenue • Greenwood, MS 38930-7277**

Please send your tool directly to this location for service.

Or

**Via e-Service at: [www.milwaukeetool.com/e-service](http://www.milwaukeetool.com/e-service)**  
questions, please call 1.800.SAWDUST (1.800.729.3878)

Or

Return it to a MILWAUKEE factory Service Center location, freight prepaid and insured.  
A copy of the proof of purchase should be included with the return product.

If you have questions please contact Milwaukee Product Service at:

**Product Technical Support via phone at: 262.783.8642**

Or

**Via email at: [METProductSupport @milwaukeetool.com](mailto:METProductSupport@milwaukeetool.com)**

Disassembly is not recommended and could void the warranty.

**JAW ASSEMBLIES for the 2672-20  
M18™ FORCELOGIC™ 6T Cable Cutter**

**49-16-2772 Cu/Al Jaw Assembly**

**49-16-2773 ACSR Jaw Assembly**

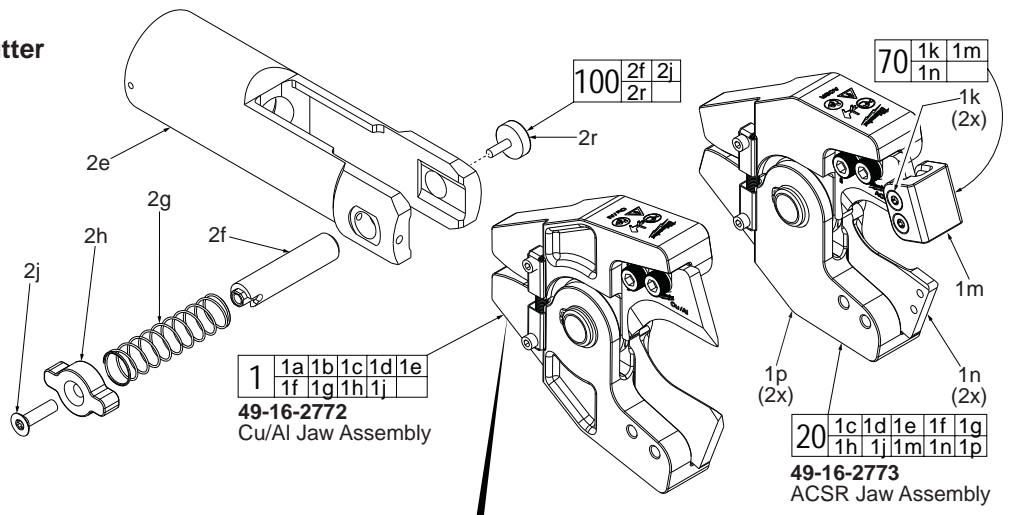


FIG.	PART NO.	DESCRIPTION OF PART	NO. REQ.
1	<b>49-16-2772</b>	Jaw Assembly with Cu/Al Jaws	(1)
1a	-----	Cu/Al Cutter Jaw	(2)
1b	48-44-0411	Cu/Al Replacement Blade (Set)	(1)
1c	05-74-0018	M6 x 1.0 x 14mm Blade Mount Screw	(4)
1d	44-86-0042	Retaining Ring	(2)
1e	-----	Spring Mounting Screw	(4)
1f	-----	Left Spring Cover	(2)
1g	-----	Right Spring Cover	(2)
1h	-----	Outer Spring	(2)
1j	-----	Hollow Pin	(1)
1k	05-80-0020	Retainer Screw	(2)
1m	44-86-0053	Blade Retainer	(1)
1n	-----	ACSR Blade	(1)
1p	-----	ACSR Cutter Jaw	(2)
2e	-----	Clevis	(1)
2f	44-60-0044	Lock Pin	(1)
2g	40-50-0019	Lock Pin Spring	(1)
2h	31-12-0018	Lock Pin Cap	(1)
2j	06-82-0050	Clevis Pin Cap Screw T-25	(1)
2r	06-87-0010	Knurled Thumb Screw	(1)
20	<b>49-16-2773</b>	Jaw Assembly with ACSR Jaws	(1)
61	44-96-0050	Roller and Carrier Assembly	(1)
62	44-82-0015	Ram Assembly Kit	(1)
63	28-25-0020	Clevis Service Kit	(1)
66	43-79-0610	Complete Hydraulic Assembly	(1)
67	45-06-1005	Seal Kit	(1)
68	14-46-0038	Maintenance Service Kit	(1)
69	14-46-0018	Jaw Spring and Cover Service Kit	(1)
70	48-44-0412	ACSR Replacement Blade Kit	(1)
100	44-60-0041	Clevis Pin Upgrade Kit	(1)

