

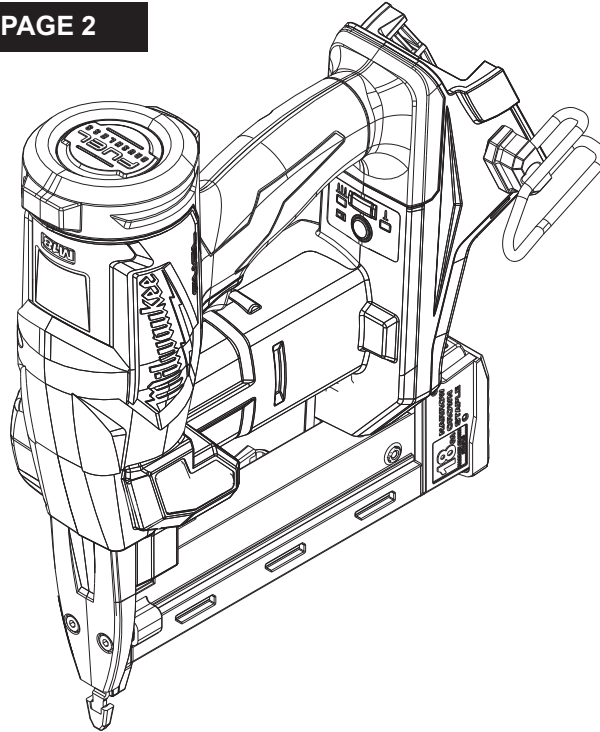


SERVICE PARTS LIST

BULLETIN NO.
54-00-2749

SPECIFY CATALOG NO. AND SERIAL NO. WHEN ORDERING PARTS			REVISED BULLETIN	DATE
M18™ FUEL™ 18 GA. 1/4" Narrow Crown Stapler				Oct. 2021
CATALOG NUMBER	2749-20	SERIAL NUMBER	L30A and L30B	
			WIRING INSTRUCTION	

AVAILABLE SERVICE PARTS PAGE 2



Due to the combination of the compressed air system and electronics in this tool, service can only be performed at Milwaukee Authorized Repair Centers:

MILWAUKEE TOOL Central Repair

1401 Sycamore Avenue • Greenwood, MS 38930-7277

Please send your tool directly to this location for service.

Or

Via e-Service at: www.milwaukeetool.com/e-service

questions, please call 1.800.SAWDUST (1.800.729.3878)

Or

Visit www.milwaukeetool.com to find your closest Milwaukee authorized Hydraulic repair center

Or

Return it to a MILWAUKEE *factory* Service Center location, freight prepaid and insured. A copy of the proof of purchase should be included with the return product.

If you have questions please contact Milwaukee Product Service at:

Product Technical Support via phone at: 262.783.8642

Or

Via email at: METProductSupport@milwaukeetool.com

Disassembly is not recommended and could void the warranty.

00 0 **EXAMPLE:**
Component Parts (Small #) Are Included
When Ordering The Assembly (Large #).

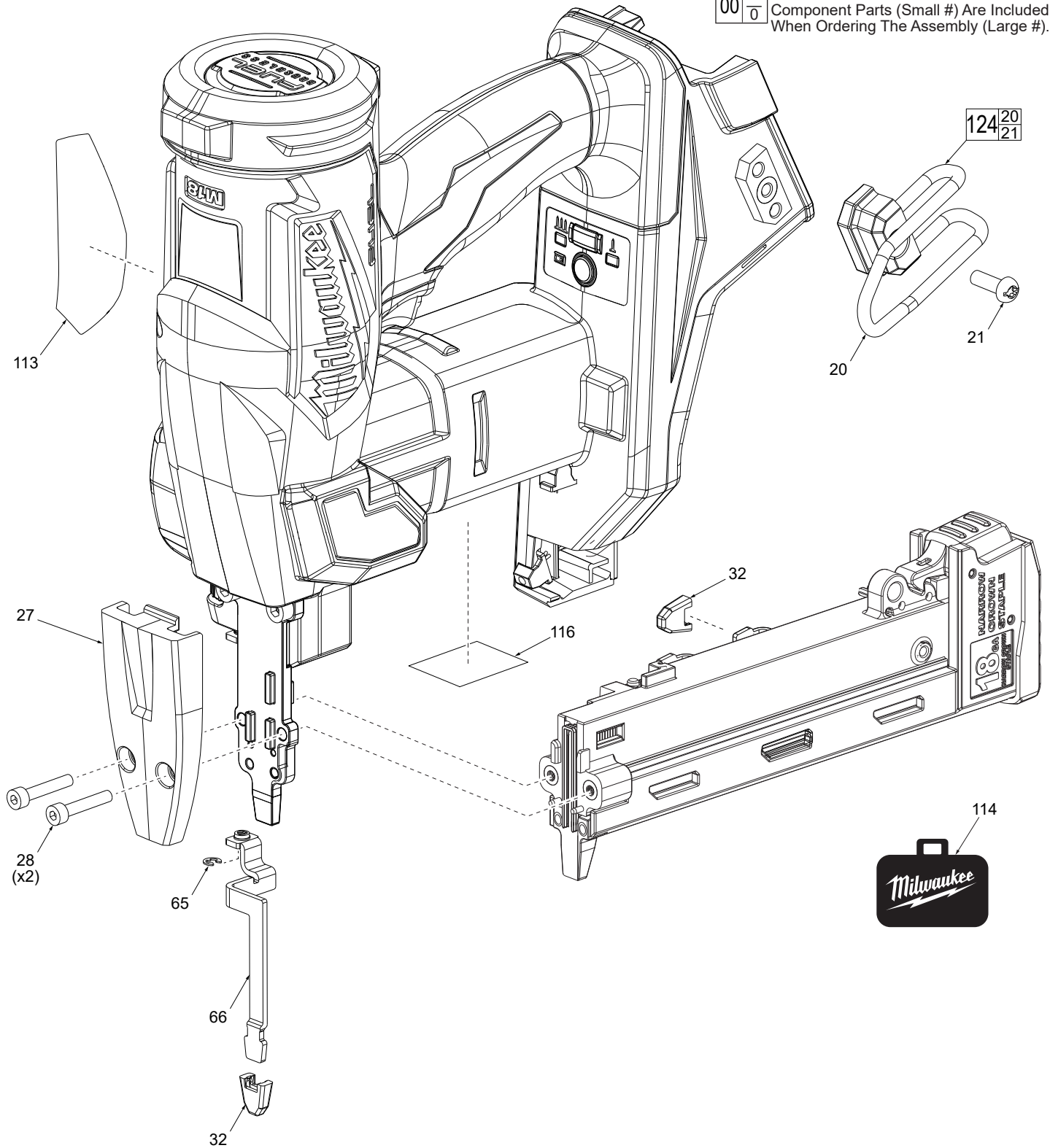


FIG.	PART NO.	DESCRIPTION OF PART	NO. REQ.
	20	Framer Belt Hook	(1)
	21	05-74-0019 M5 x 14mm Cap Hd. Hex Socket Screw	(1)
	27	28-20-0031 Receiver Cover	(1)
	28	05-74-0445 M4 x 22mm Mach. Scr. w/ 3mm Hex	(2)
	32	42-38-0033 No Mar Pad	(2)
	65	42-70-0525 Retaining E-Ring	(1)
	66	44-14-0028 Work Contact Bracket	(1)
	113	12-20-0245 Service Nameplate	(1)
	114	42-55-6150 Contractor Bag	(1)
	115	10-20-3696 Magazine Label (Not Shown)	(1)
	116	10-20-3697 Warning Label	(1)
	124	42-70-0021 Belt Hook Assembly	(1)