

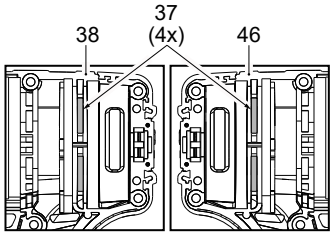


SERVICE PARTS LIST

BULLETIN NO.
54-26-2801

SPECIFY CATALOG NO. AND SERIAL NO. WHEN ORDERING PARTS		REVISED BULLETIN	DATE
M18™ FUEL™ SURGE™ 1/4" HEX HYDRAULIC DRIVER		54-26-2800	Sept. 2020
CATALOG NO.	2760-20	STARTING SERIAL	H16B
			WIRING INSTRUCTION SEE PAGE 2

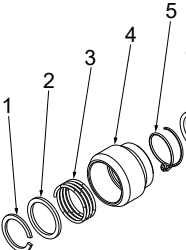
EXAMPLE:
00 | 0
Component Parts (Small #)
Are Included When Ordering
The Assembly (Large #).



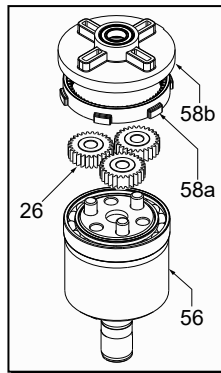
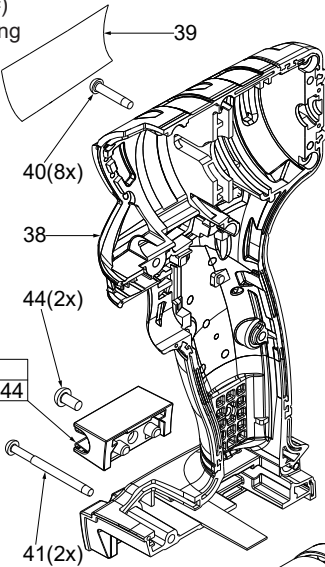
Place Rubber Cushions (37)
into slots of Housing Halves
(38 and 46) as shown.



Sharp side of retaining
ring (6) to face up
towards sleeve.



Side slots on gear case
cover (54) lock onto raised
bosses of gear case assembly (55).



NOTE:
Assemble the three planet gears (26) on the posts of the pulse unit (56). Place the ring gear (58a) and end cap with bearing (58b) onto the pulse unit. Turn the anvil on the pulse unit to rotate the gears to seat the end cap properly. Align the tab on the end cap with the notch in the gear case to install.



60 | 44

41(2x)

56

53

55 | 54

56

57 | 26 | 58

58 | 58a | 58b

64

62

61

59 | 37 | 38 | 39 | 46

44

63 | 44

★ = Part number change
from previous service
parts list.

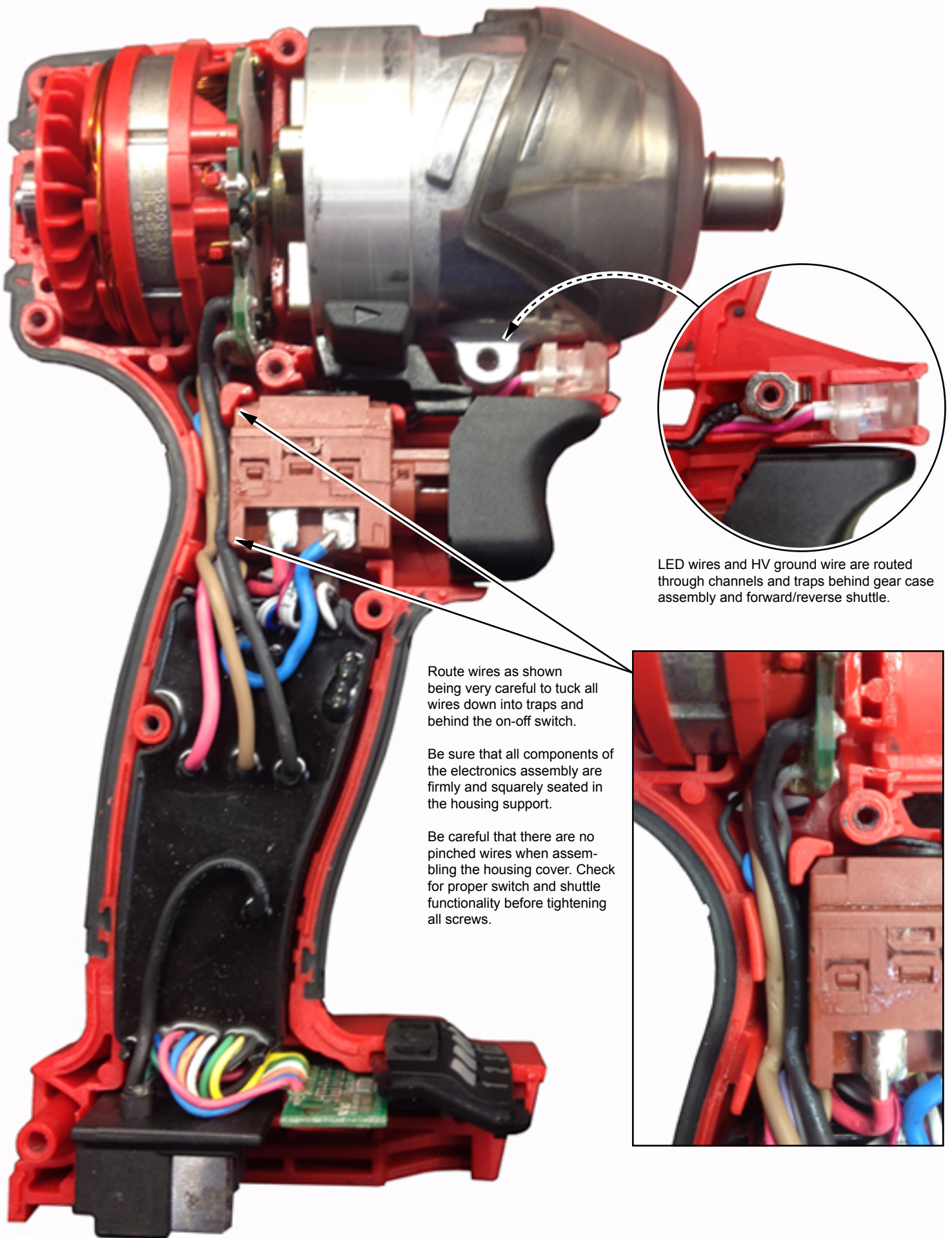
NOTE:
Place Anvil Spring (5) onto
anvil of Pulse Unit (56) with
curled end inserted into slot
of anvil as shown. Place Steel
Ball (53) in anvil slot in front
of spring.

FIG.	PART NO.	DESCRIPTION OF PART	NO. REQ.
1	34-60-0725	'C' Retaining Ring	(1)
2	45-88-1881	Washer	(1)
3	40-50-1470	Spring	(1)
4	45-22-2643	Sleeve	(1)
5	40-50-0012	Anvil Spring	(1)
6	34-60-0002	Retaining Ring	(1)
26	-----	Planetary Gear	(3)
37	45-30-0022	Rubber Cushion	(4)
38	-----	Right Housing Halve (Cover)	(1)
39	12-20-0076	Service Nameplate	(1)
40	06-82-7236	M3 x 16mm Pan Hd. ST T-10 TP Screw	(8)
41	06-82-0013	M3 x 38mm Pan Hd. ST T-10 TP Screw	(2)
44	06-82-0130	6-32 x 5/16" Pan Hd. T-15 Machine Scr	(2)
46	-----	Left Housing Halve (Support)	(1)
51	45-24-0013	Forward/Reverse Shuttle	(1)
52	42-55-2753	Blow Molded Carrying Case	(1)
53	02-02-0170	3.5mm Steel Ball	(1)
54	42-92-0054	Gear Case Cover	(1)
★ 55	14-30-1027	Gearcase Assy. with Sleeve & Bearing	(1)
★ 56	14-46-0218	Pulse Unit (Sealed System)	(1)
★ 57	14-30-1028	Gearcase End Cap Assembly w/ Gears	(1)
★ 58	44-66-0135	Gearcase End Cap Assembly	(1)
★ 58a	-----	Ring Gear	(1)
★ 58b	-----	End Cap with Bearing	(1)
59	31-44-0049	Housing Kit	(1)
60	43-72-0046	Bit Holder Kit	(1)
★ 61	16-07-2985	Rotor Assembly	(1)

FIG.	PART NO.	DESCRIPTION OF PART	NO. REQ.
62	14-20-0044	Electronics Assembly Consisting of: On-Off Switch, Main PCBA, Stator, LED, HV Protection, Selector PCBA and Battery Connector Block	(1)
63	42-70-0059	Belt Clip Kit	(1)
64	45-24-0017	Speed Selector Assembly	(1)

FIG. LUBRICATION
Use Type 'J' Grease, No. 49-08-4220 (1 lb. can)
57,61 When servicing Pinion of the Rotor Assembly (61), the inside cavity and gearing system of Gearcase End Cap Assy. (57): **90-95% of the old grease must be removed prior to any new grease being added.**

- 4 Place a very light coating of grease on the ID of the sleeve.
- 55 Coat inside sleeve and bearing on front gearcase with grease.
- 56 Place a dab of grease in the ball slot of anvil on pulse unit.
- 26,56 On the rear of the pulse unit, heavily coat the three gears and the pins they ride on with grease.
- 58a Place a heavy coat of grease to teeth on inside cavity of the ring gear.
- 61 Coat pinion of rotor assembly with grease.



LED wires and HV ground wire are routed through channels and traps behind gear case assembly and forward/reverse shuttle.

Route wires as shown being very careful to tuck all wires down into traps and behind the on-off switch.

Be sure that all components of the electronics assembly are firmly and squarely seated in the housing support.

Be careful that there are no pinched wires when assembling the housing cover. Check for proper switch and shuttle functionality before tightening all screws.