



SERVICE PARTS LIST

BULLETIN NO.
55-38-7003

SPECIFY CATALOG NO. AND SERIAL NO. WHEN ORDERING PARTS		REVISED BULLETIN 55-38-7002	DATE Mar. 2018
M18 FUEL™ Angle Grinder with Slide Switch & Lock-On			
CATALOG NO. 2781-059	STARTING SERIAL NO. F34D	WIRING INSTRUCTION SEE PAGE 2	

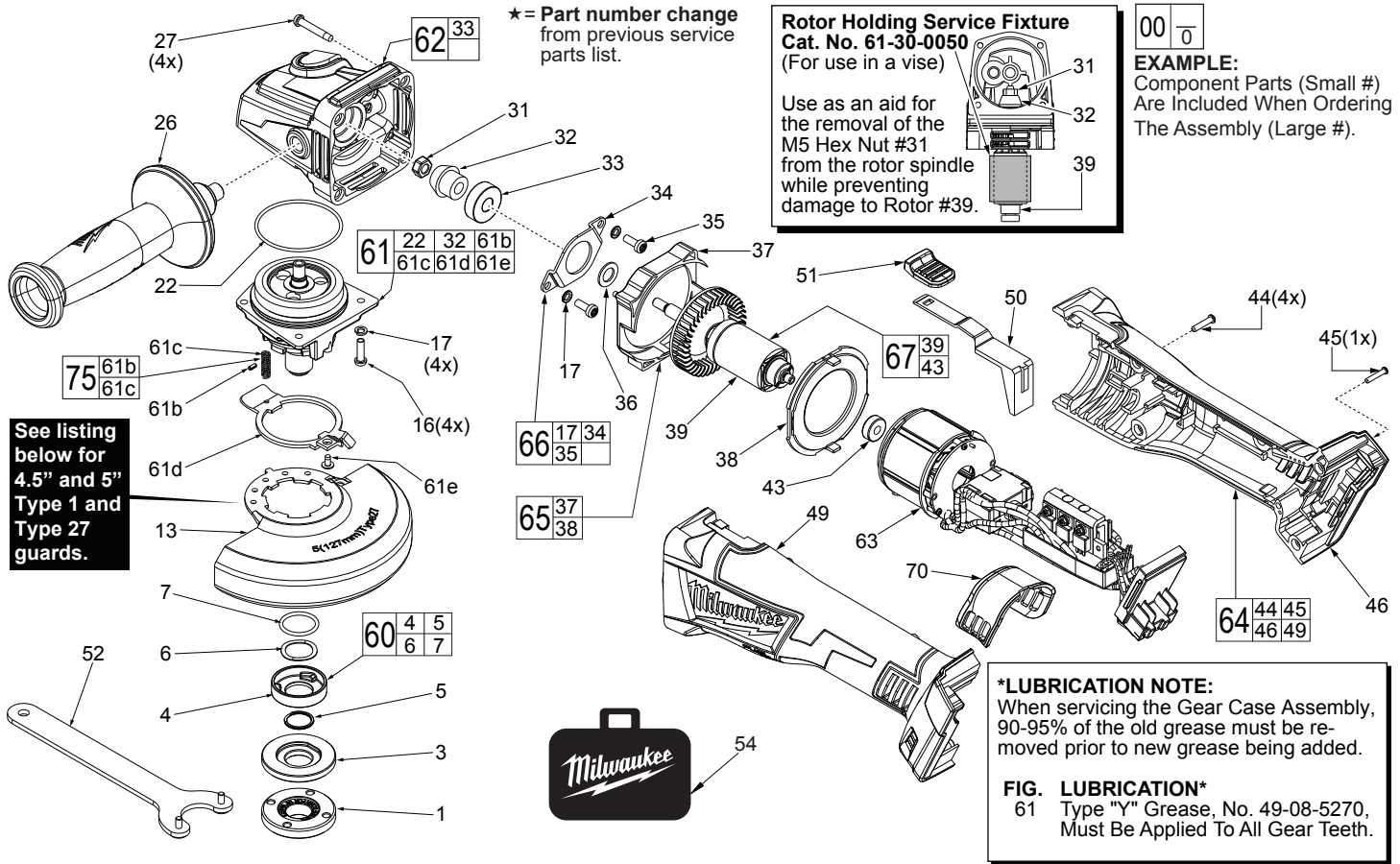


FIG.	PART NO.	DESCRIPTION OF PART	NO. REQ.	FIG.	PART NO.	DESCRIPTION OF PART	NO. REQ.
1	44-40-0035	Flange Nut	1	52	49-96-7215	Spanner Wrench	1
3	43-34-0935	Flange Disc	1	53	-----	Service Nameplate (Not Shown)	1
4	-----	Flange with Ramps	1	54	42-55-2694	Carrying Case	1
5	-----	Retaining Ring	1	60	14-46-6105	Flange with Ramps Assembly	1
6	-----	Wave Spring	1	★ 61	14-73-0510	M14 Spindle Hub Assembly with Pinion	1
7	-----	O-Ring	1	61b	-----	Steel Pin	1
13	43-54-1220	5" Type 27 Guard (Standard Equip., Shown)	1	61c	-----	Spring	1
13	43-54-1230	5" Type 1 Guard (Standard Equip., Not Shown)	1	61d	44-20-0155	Guard Locking Tang	1
13	43-54-1200	4.5" Type 27 Guard (Optional, Not Shown)	1	61e	05-81-0020	M3 x 5mm Pan Hd. ST T-8 Screw	1
13	43-54-1210	4.5" Type 1 Guard (Optional, Not Shown)	1	62	14-30-1167	Gearcase Assembly	1
16	05-78-5316	M4 x 14mm Pan Hd. Tapt. T-20 Screw	4	63	14-20-2685	Electronics Kit	1
17	05-90-0225	Spring Washer	6	64	31-44-0886	Housing Kit	1
22	34-40-0180	O-Ring	1	65	42-14-0040	Baffle Assembly	1
26	42-62-0125	Side Handle	1	66	44-86-0195	Bearing Retaining Plate Assembly	1
27	05-88-1300	M4 x 28mm Pan Hd. ST T-20 Screw	4	67	16-07-2690	Rotor Assembly	1
31	05-55-0620	M5 Hex Nut	1	70	31-15-0275	Dust Cover	1
★32	-----	Pinion	1	75	14-46-0241	Spring/Pin Kit	1
33	02-04-0620	Ball Bearing	1				
34	44-66-0450	Bearing Retainer	1				
35	05-78-0105	M4 x 10mm Pan Hd. Tapt. T-20 Screw	2				
36	45-88-0406	Washer	1				
37	-----	Fan Baffle	1				
38	-----	Fan Baffle Foot	1				
39	-----	Rotor	1				
43	02-04-0033	Ball Bearing	1				
44	05-88-1200	M4 x 16mm Pan Hd. Plastite T-20 Screw	4				
45	06-82-7236	4-20 x 5/8" Pan Hd. Plastite T-10 Screw	1				
46	-----	Handle Cover - Right Side	1				
49	-----	Handle Support - Left Side	1				
50	31-84-0100	Slide Pole	1				
51	31-92-0055	Slide Button	1				

WIRE ROUTING AND TRAPPING for the ELECTRONICS KIT in the HANDLE SUPPORT (Left Handle Halve)

Route the voltage protection ground wire from the PCBA, through the traps in the left housing half and place the wavy ring terminal over the screw boss as shown. Be sure to push wire firmly down into traps.

