



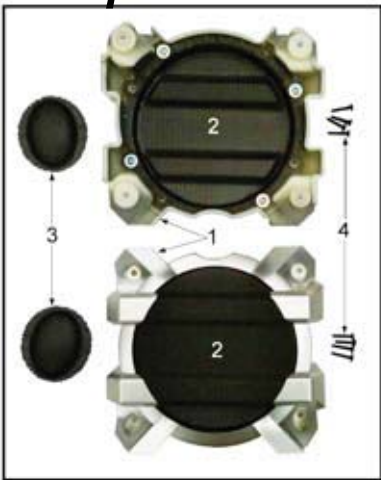
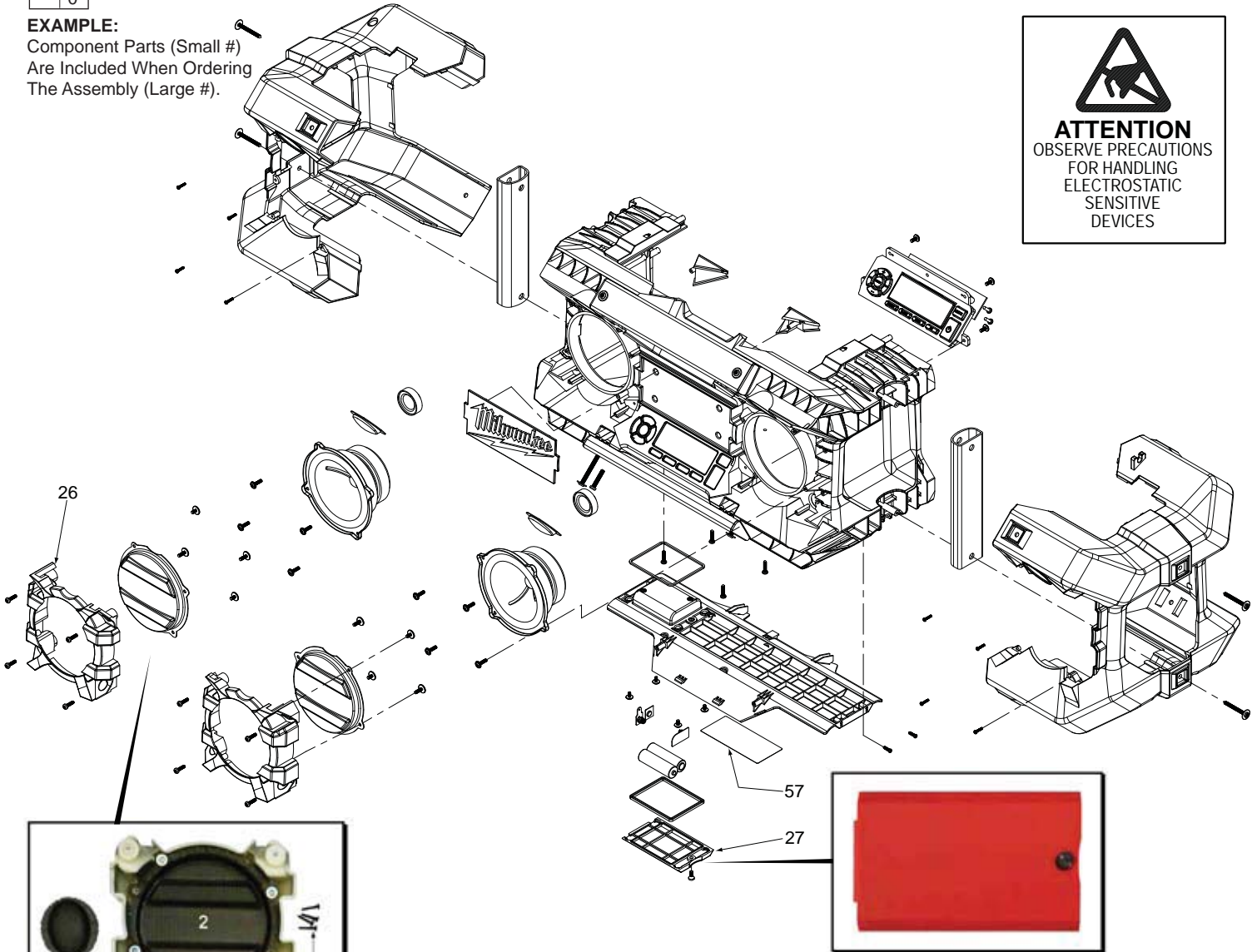
# SERVICE PARTS LIST

**BULLETIN NO.**  
54-49-2790

SPECIFY CATALOG NO. AND SERIAL NO. WHEN ORDERING PARTS			REVISED BULLETIN	DATE
<b>JOBSITE RADIO</b>				July 2013
<b>CATALOG NO.</b>	<b>2790-20</b>	<b>SERIAL NUMBER</b>	<b>WIRING INSTRUCTION SEE PAGE 3</b>	
			<b>C33A</b>	

00 0

**EXAMPLE:**  
Component Parts (Small #)  
Are Included When Ordering  
The Assembly (Large #).



**FRAME-GRILL KIT**  
No. 43-40-0675

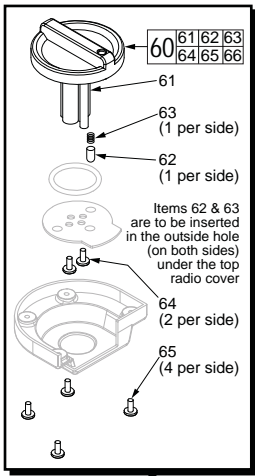
- Kit includes:
1. Left and right plastic frames
  2. Inner metal grills (assembled to plastic frames as shown in picture)
  3. Tweeter grills
  4. Eight screws to secure the plastic frames to radio



**BATTERY COVER**  
No. 22-68-0280  
Includes:  
1. LR6 (AA) battery cover  
2. Screw  
3. Lock washer

FIG.	PART NO.	DESCRIPTION OF PART	NO. REQ.
26	43-40-0675	Frame Grill Kit	(1)
27	22-68-0280	Battery Cover with Screw	(1)
57	12-20-1600	Service Nameplate Kit	(1)

- FIG. NOTES**
- 57 A clean, dry surface is essential for proper performance for any adhesive system. The area intended for application of any adhesive label or nameplate must be prepared by cleaning with isopropyl alcohol. The solvent is to be applied with a clean, lint free applicator and the surface allowed to dry before applying the label or nameplate.

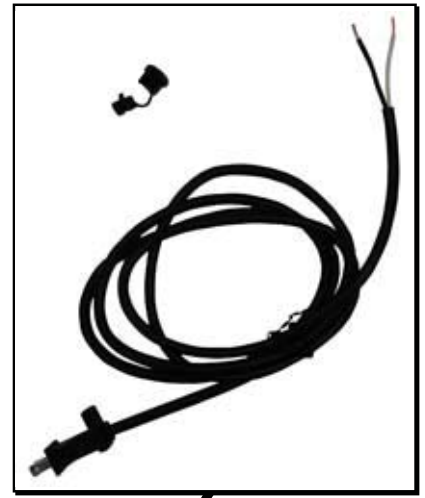


**LOCKING KNOB KIT**  
No. 14-46-2790

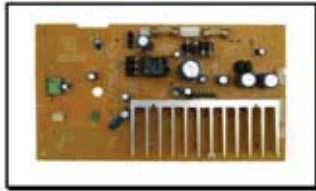
**NOTE:** When removing the antenna for replacement, care must be taken not to lose the 2 small washers and screw that came with the old antenna. Reuse those parts when installing the new antenna. Washers should be placed on each side of antenna before securing with screw.



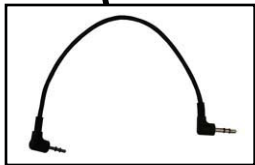
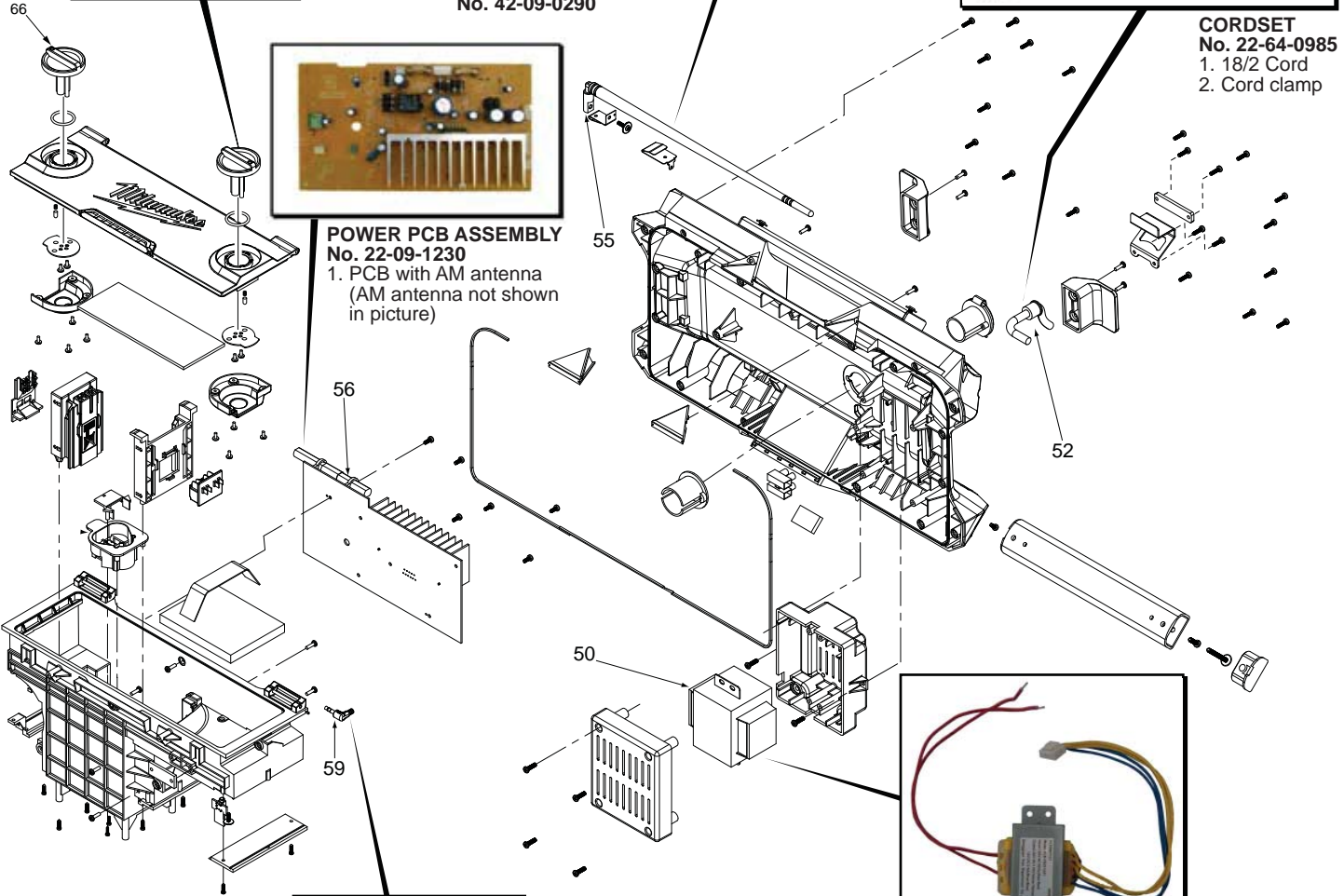
**FM ANTENNA ASSEMBLY**  
No. 42-09-0290



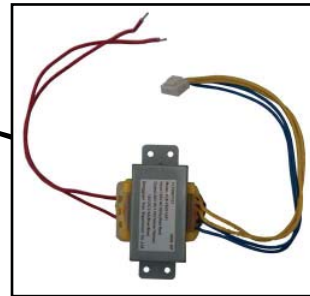
**CORDSET**  
No. 22-64-0985  
1. 18/2 Cord  
2. Cord clamp



**POWER PCB ASSEMBLY**  
No. 22-09-1230  
1. PCB with AM antenna  
(AM antenna not shown in picture)



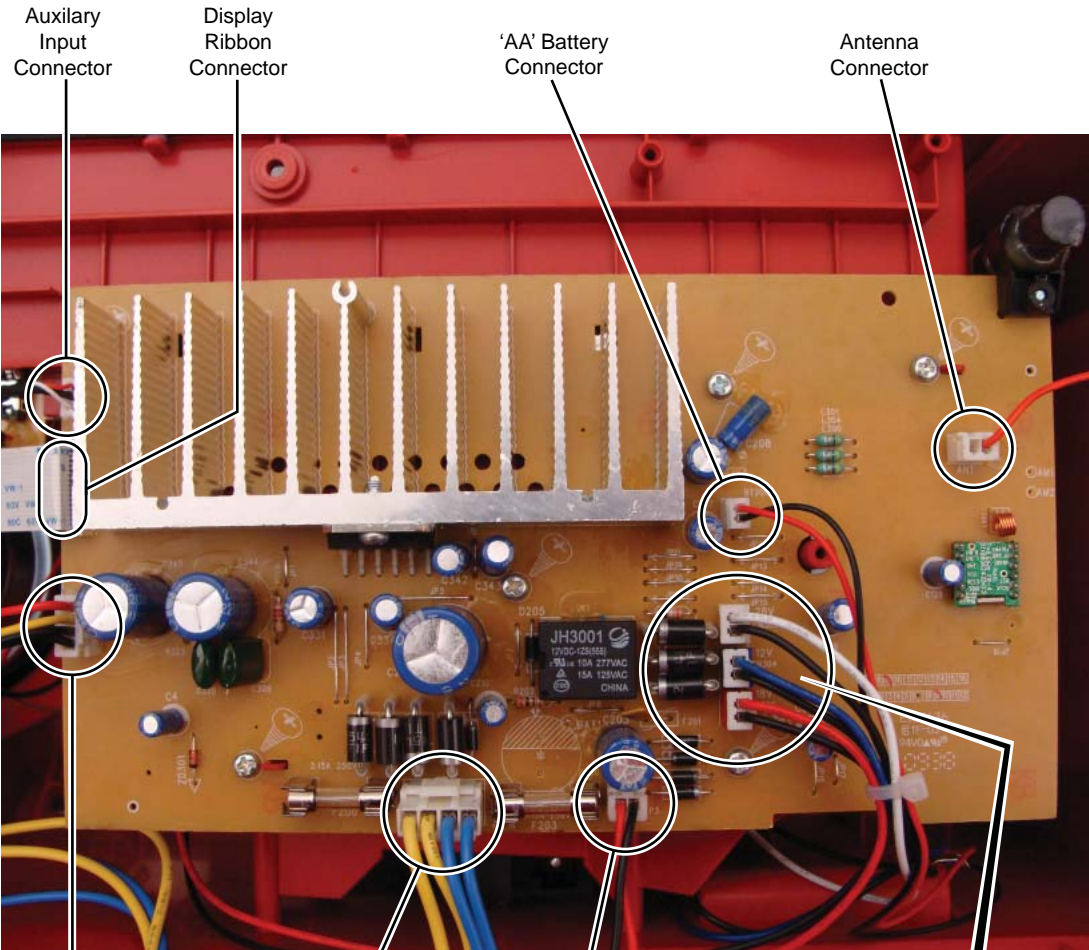
**AUXILIARY INPUT CABLE**  
NO. 42-44-0225



**TRANSFORMER**  
No. 23-81-0625



FIG.	PART NO.	DESCRIPTION OF PART	NO. REQ.
50	23-81-0625	Transformer	(1)
52	22-64-0985	Cordset	(1)
55	42-09-0290	Antenna Assembly	(1)
56	22-09-1230	Power PCB Assembly	(1)
59	42-44-0225	Auxiliary Input Cable	(1)
60	14-46-2790	Locking Knob Kit	(1)
61	-----	Locking Knob - Right	(1)
62	-----	Detent Pin	(2)
63	-----	Detent Spring	(2)
64	-----	Screw	(4)
65	-----	Screw	(8)
66	-----	Locking Knob - Left	(1)



Auxiliary  
Input  
Connector

Display  
Ribbon  
Connector

'AA' Battery  
Connector

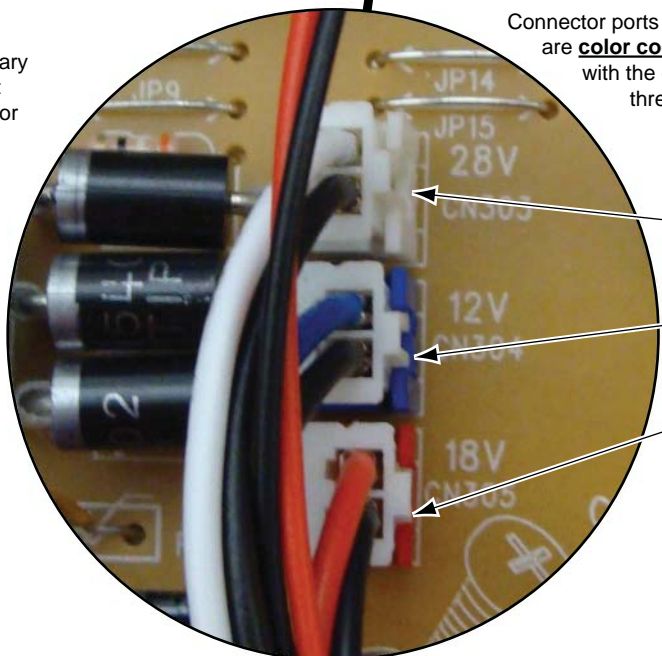
Antenna  
Connector

Speakers  
Connector

Transformer  
Connector

12V Auxiliary  
Output  
Connector

Connector ports on PCB Assembly are **color coded** to correspond with the colored wire of the three different voltage wire harnesses.



**28 volt harness**  
**White** and black

**12 volt harness**  
**Blue** and black

**18 volt harness**  
**Red** and black