



# SERVICE PARTS LIST

BUL. 54-36-0511

## RIGHT ANGLE DRIVE

REVISED BUL 639-2      DATE June '72

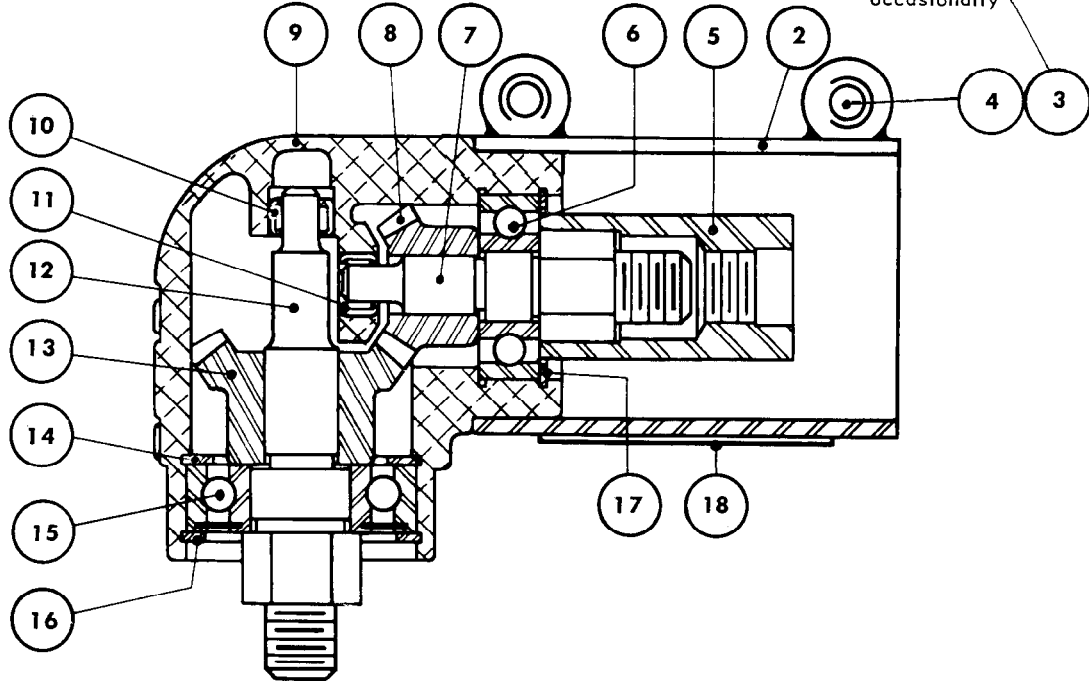
Catalog No. **2870**

Starting Serial No.

WIRING INSTR.

Note:

Lubricate threads of cap screws occasionally



### ILLUSTRATED PARTS

FIG.	PART NO.	DESCRIPTION OF PART	NO.REQ.	FIG.	PART NO.	DESCRIPTION OF PART	NO.REQ.
★ 1	45-22-0125	Sleeve Assembly ( includes fig. nos. 2,3, and 4 )		10	02-50-1610	Needle Bearing	
2	—	Attachment Sleeve		11	02-50-1610	Needle Bearing	
3	06-75-0500	3/8-16x1 Hex Hd. Cap Screw	(2)	12	38-50-2751	Spindle (Low Speed)	
4	45-88-0601	Washer ( for cap screw )	(2)	13	32-05-1001	Large Bevel Gear ( See Fig. 8 )	
5	42-90-0080	Female Coupling (Hex-one side)		★ 14	45-88-0525	Washer	
6	02-04-1230	Ball Bearing		15	02-04-1745	Ball Bearing	
7	38-50-2901	Spindle (High Speed)		16	34-80-2900	Tru-arc Snap Ring	
8	32-05-1021	Small Bevel Gear (Sold only in sets)		17	34-80-2300	Tru-arc Snap Ring	
9	28-50-7551	Housing		18	12-15-6000	Name Plate	

### MISCELLANEOUS PARTS NOT SHOWN

PART NO.	DESCRIPTION OF PART	NO.REQ.
49-96-4060	Open End Wrench (9/16" & 11/16")	
06-42-1200	Woodruff Key	(2)
44-60-0190	Knock Out Pin (For 1/2" Chucks)	