

Rotary tool - F 013 300 000 - 3000

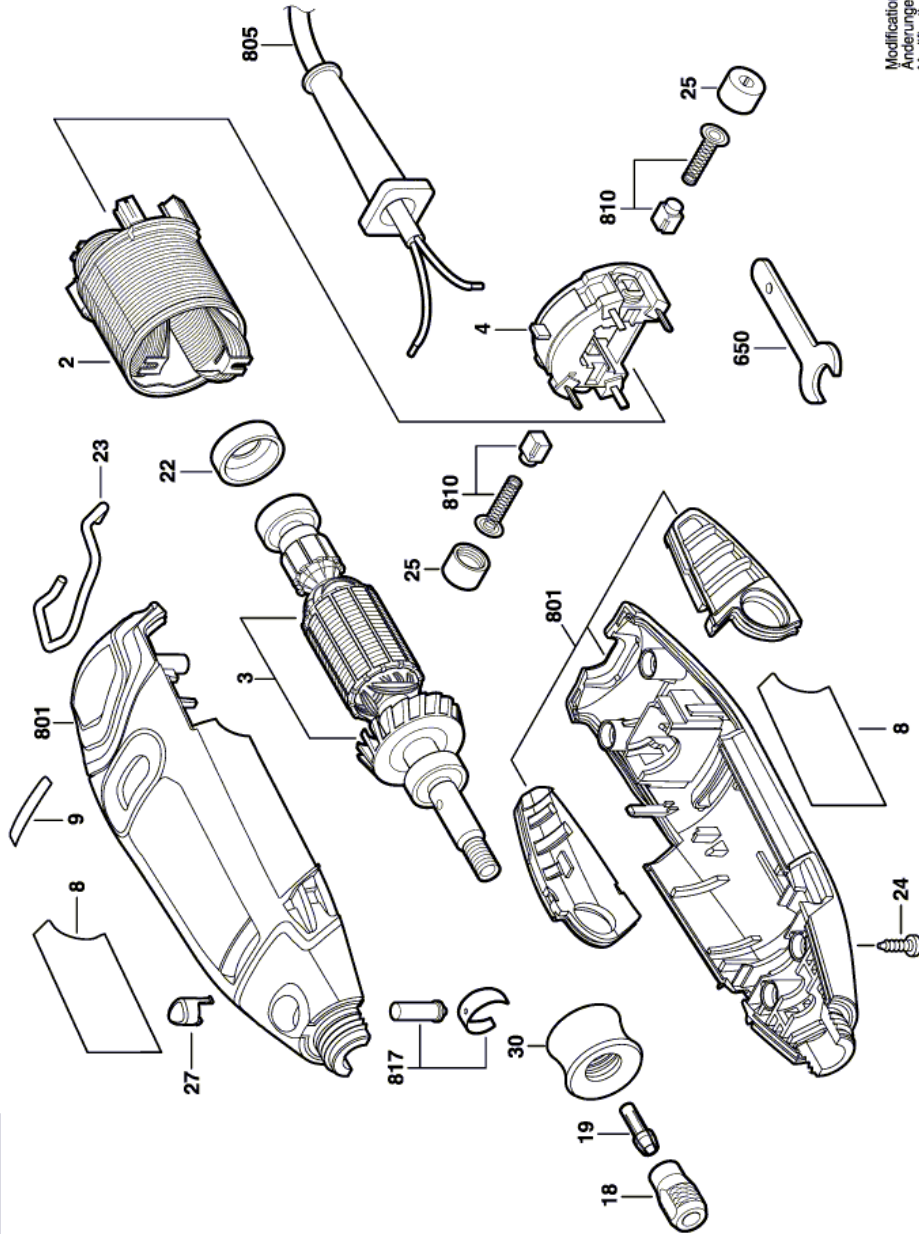
www.powertools-aftersaleservice.com



BOSCH

| Item | Part Number | Description | Illustration | Price | Quantity | Price Group |
|------|---------------|---------------------------|--------------|-------|----------|-------------|
| 2 | 2 610 006 473 | Field 120V | 1 | -,- | 1 | 24 |
| 3 | 2 610 013 850 | Armature 120V | 1 | -,- | 1 | 30 |
| 4 | 2 610 013 852 | Switch | 1 | -,- | 1 | 24 |
| 8 | 2 610 014 583 | Label | 1 | -,- | 1 | 13 |
| 9 | 2 610 014 584 | Label | 1 | -,- | 1 | 13 |
| 18 | 2 610 014 582 | Nut | 1 | -,- | 1 | 12 |
| 19 | 2 615 110 480 | Collet 1/8" | 1 | -,- | 1 | 15 |
| 22 | 2 615 297 373 | Insulator | 1 | -,- | 1 | 11 |
| 23 | 2 610 013 891 | Toolholder | 1 | -,- | 1 | 13 |
| 24 | 2 615 294 035 | Cross Recessed-Head Screw | 1 | -,- | 4 | 11 |
| 25 | 2 610 009 826 | Brush-Cover | 1 | -,- | 2 | 12 |
| 27 | 2 610 013 890 | Button | 1 | -,- | 1 | 11 |
| 30 | 2 610 013 854 | Nose | 1 | -,- | 1 | 13 |
| 650 | 2 610 930 692 | Chuck Wrench | 1 | -,- | 1 | 13 |
| 801 | 2 610 013 888 | Housing Assembly | 1 | -,- | 1 | 34 |
| 805 | 2 615 294 041 | Power supply cord | 1 | -,- | 1 | 26 |
| 810 | 2 610 009 829 | Carbon-Brush Set | 1 | -,- | 1 | 21 |
| 817 | 2 610 009 839 | Holding Pin | 1 | -,- | 1 | 20 |

Illustration - Type E



F 013 300 000
Issue 11-09-07
Stand } **Fig./Abb. 1**

Modifications reserved
Änderungen vorbehalten
Modificaciones reservées
Salvo modificaciones

Information subject to change without further notice.