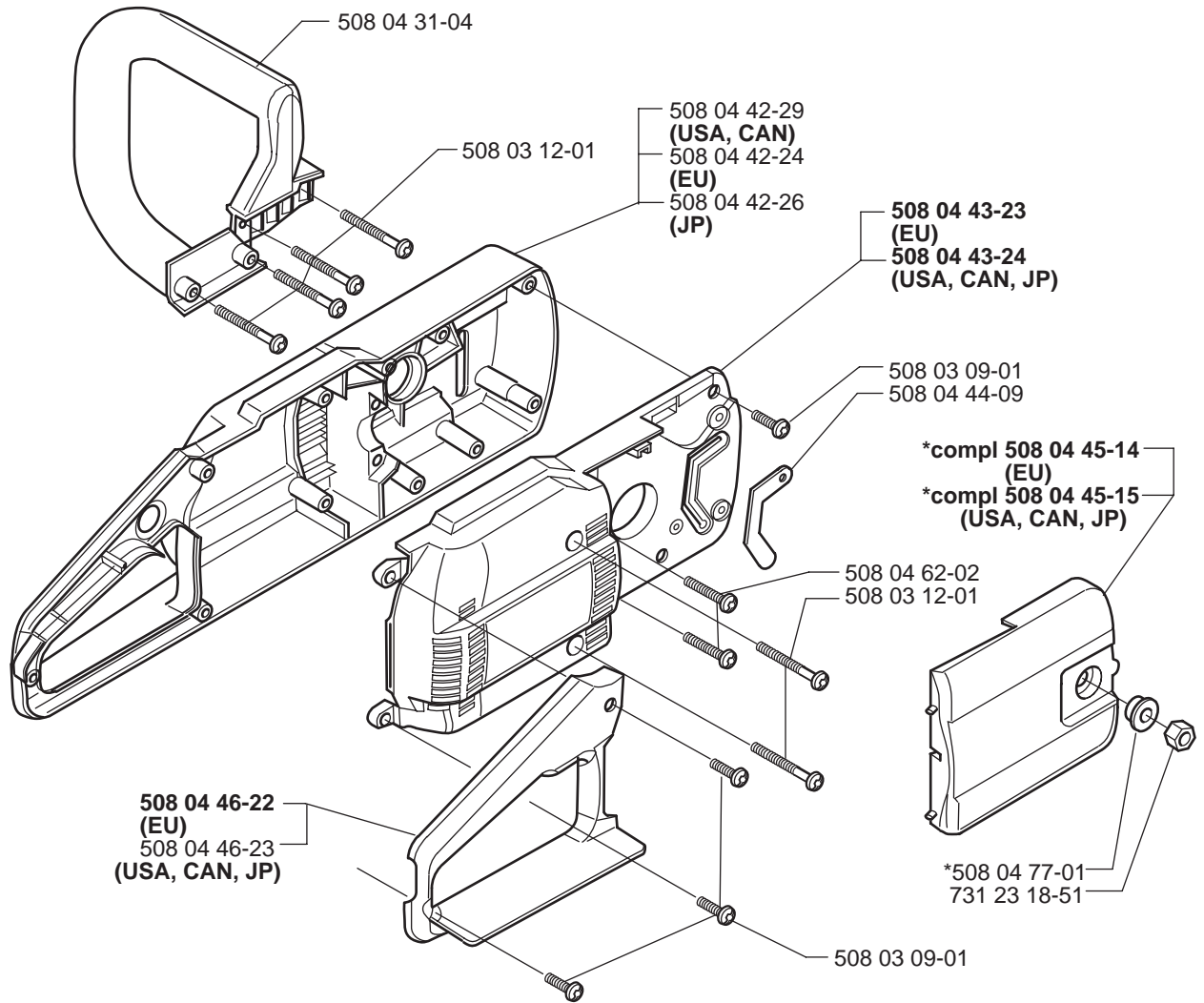
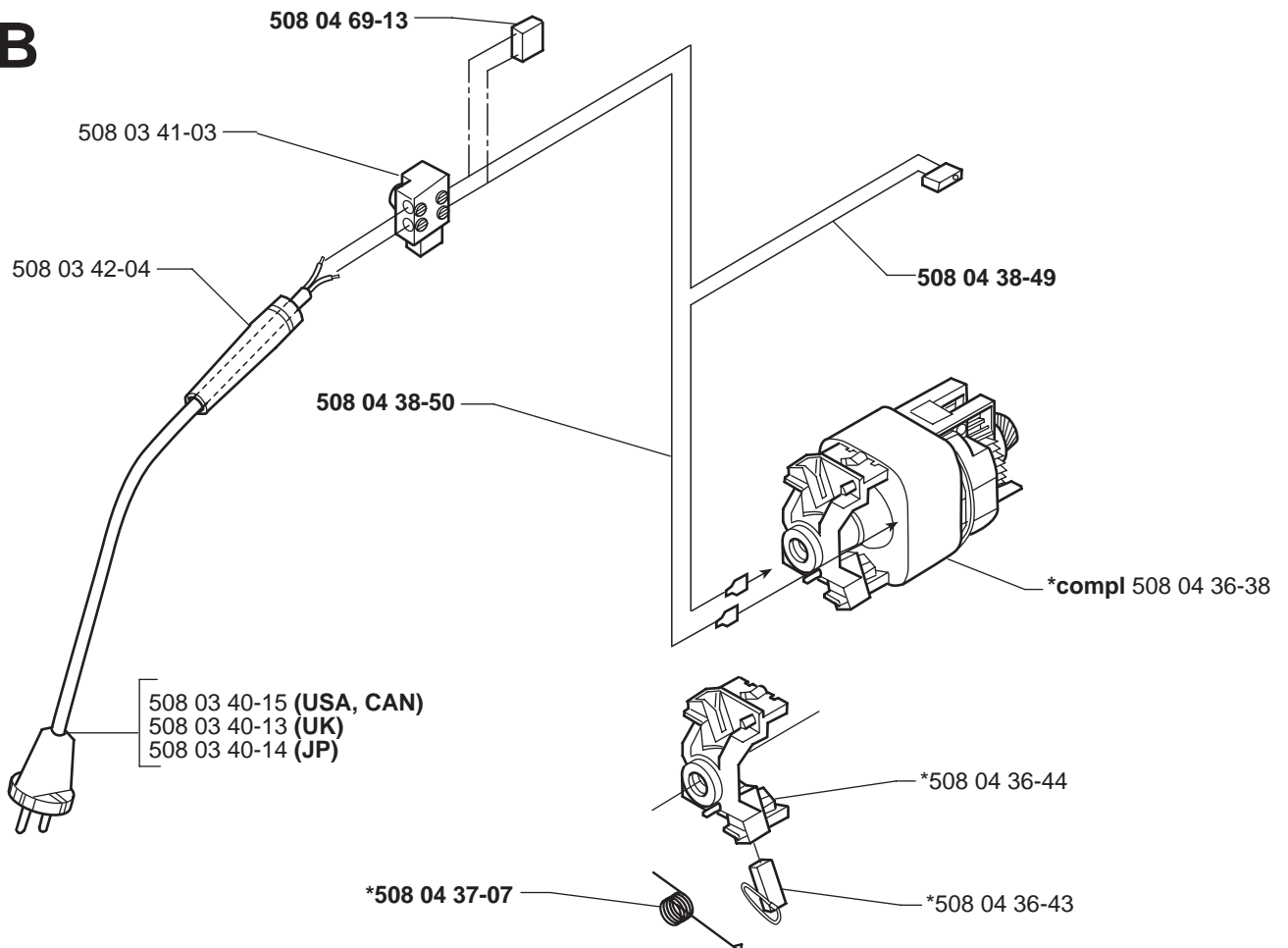


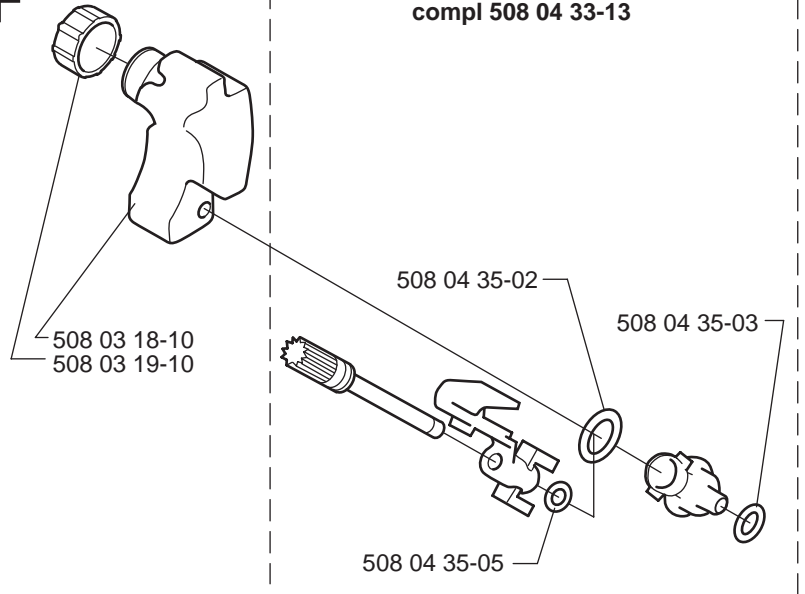
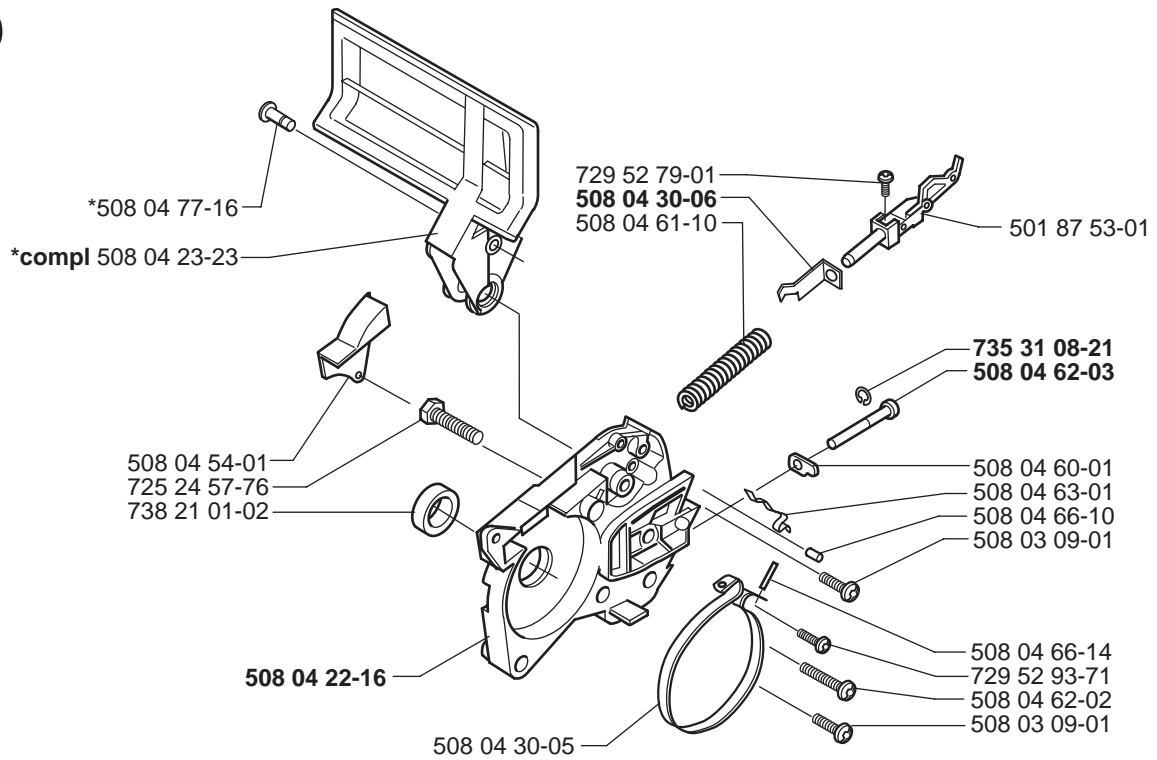
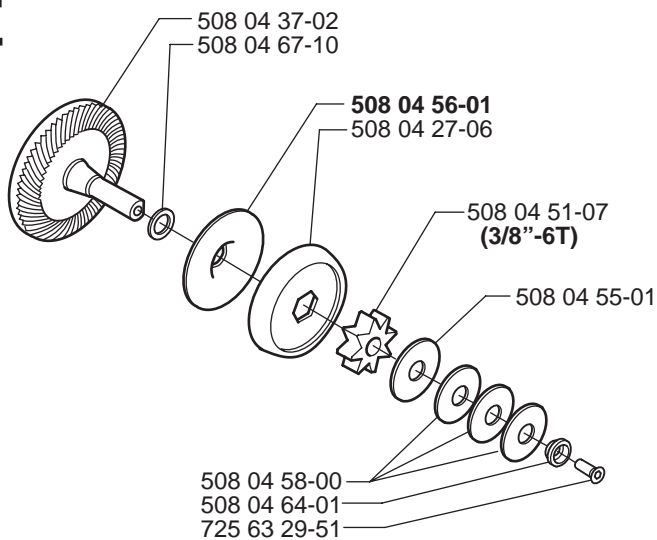
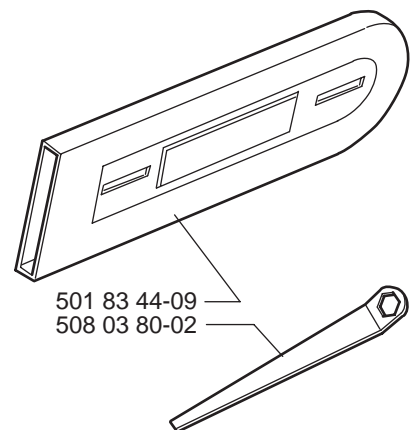
# 316 Electric

Spare parts  
Ersatzteile  
Pièces détachées  
Reserve onderdelen  
Repuestos  
Reservdelar

**A****B**

**C**

508 03 86-12

**F****D****E****G**

MODEL 316 Electric

| PART NUMBER  | SQUARE NOTE | PART NUMBER | SQUARE NOTE | PART NUMBER | SQUARE NOTE | PART NUMBER | SQUARE NOTE |
|--------------|-------------|-------------|-------------|-------------|-------------|-------------|-------------|
| 501 83 44-09 | G           |             |             |             |             |             |             |
| 501 87 53-01 | D           |             |             |             |             |             |             |
| 508 03 09-01 | AD          |             |             |             |             |             |             |
| 508 03 12-01 | A           |             |             |             |             |             |             |
| 508 03 18-10 | F           |             |             |             |             |             |             |
| 508 03 19-10 | F           |             |             |             |             |             |             |
| 508 03 40-13 | B           |             |             |             |             |             |             |
| 508 03 40-14 | B           |             |             |             |             |             |             |
| 508 03 40-15 | B           |             |             |             |             |             |             |
| 508 03 41-03 | B           |             |             |             |             |             |             |
| 508 03 42-04 | B           |             |             |             |             |             |             |
| 508 03 80-02 | G           |             |             |             |             |             |             |
| 508 03 86-12 | C           |             |             |             |             |             |             |
| 508 04 22-16 | D           |             |             |             |             |             | N           |
| 508 04 23-23 | D           |             |             |             |             |             | N           |
| 508 04 27-06 | E           |             |             |             |             |             |             |
| 508 04 30-05 | D           |             |             |             |             |             |             |
| 508 04 30-06 | D           |             |             |             |             |             | N           |
| 508 04 31-04 | A           |             |             |             |             |             |             |
| 508 04 33-13 | F           |             |             |             |             |             | N           |
| 508 04 35-02 | F           |             |             |             |             |             |             |
| 508 04 35-03 | F           |             |             |             |             |             |             |
| 508 04 35-05 | F           |             |             |             |             |             |             |
| 508 04 36-38 | B           |             |             |             |             |             |             |
| 508 04 36-43 | B           |             |             |             |             |             |             |
| 508 04 36-44 | B           |             |             |             |             |             |             |
| 508 04 37-02 | E           |             |             |             |             |             |             |
| 508 04 37-07 | B           |             |             |             |             |             | N           |
| 508 04 38-49 | B           |             |             |             |             |             | N           |
| 508 04 38-50 | B           |             |             |             |             |             | N           |
| 508 04 42-24 | A           |             |             |             |             |             |             |
| 508 04 42-26 | A           |             |             |             |             |             |             |
| 508 04 42-29 | A           |             |             |             |             |             |             |
| 508 04 43-23 | A           |             |             |             |             |             | N           |
| 508 04 43-24 | A           |             |             |             |             |             | N           |
| 508 04 44-09 | A           |             |             |             |             |             |             |
| 508 04 45-14 | A           |             |             |             |             |             | N           |
| 508 04 45-15 | A           |             |             |             |             |             | N           |
| 508 04 46-22 | A           |             |             |             |             |             | N           |
| 508 04 46-23 | A           |             |             |             |             |             |             |
| 508 04 51-07 | E           |             |             |             |             |             |             |
| 508 04 54-01 | D           |             |             |             |             |             |             |
| 508 04 55-01 | E           |             |             |             |             |             |             |
| 508 04 56-01 | E           |             |             |             |             |             | N           |
| 508 04 58-00 | E           |             |             |             |             |             |             |
| 508 04 60-01 | D           |             |             |             |             |             |             |
| 508 04 61-10 | D           |             |             |             |             |             |             |
| 508 04 62-02 | AD          |             |             |             |             |             |             |
| 508 04 62-03 | D           |             |             |             |             |             | N           |
| 508 04 63-01 | D           |             |             |             |             |             |             |
| 508 04 64-01 | E           |             |             |             |             |             |             |
| 508 04 66-10 | D           |             |             |             |             |             |             |
| 508 04 66-14 | D           |             |             |             |             |             |             |
| 508 04 67-10 | E           |             |             |             |             |             |             |
| 508 04 69-13 | B           |             |             |             |             |             | N           |
| 508 04 77-01 | A           |             |             |             |             |             |             |
| 508 04 77-16 | D           |             |             |             |             |             |             |
| 725 24 57-76 | D           |             |             |             |             |             |             |
| 725 63 29-51 | E           |             |             |             |             |             |             |
| 729 52 79-01 | D           |             |             |             |             |             |             |
| 729 52 93-71 | D           |             |             |             |             |             |             |
| 731 23 18-51 | A           |             |             |             |             |             |             |
| 735 31 08-21 | D           |             |             |             |             |             | N           |
| 738 21 01-02 | D           |             |             |             |             |             |             |

N = New part  
 Neues teil  
 Nouvelle piece  
 Nueva pieza  
 Ny detalj