

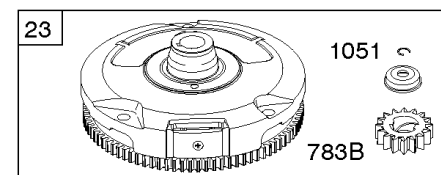
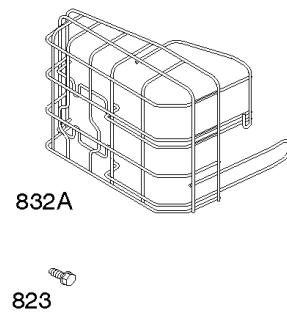
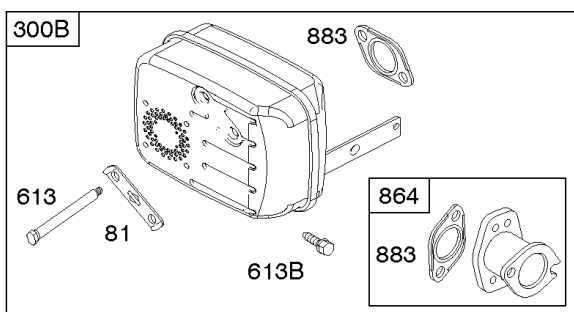
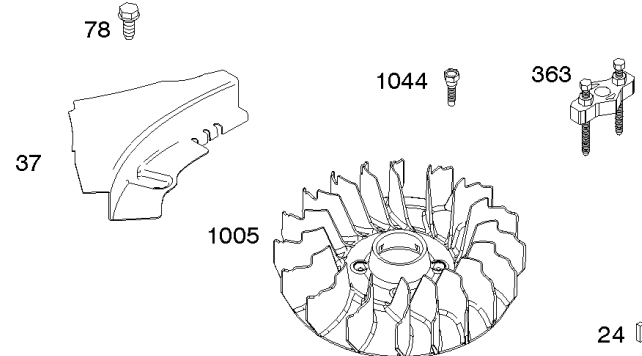
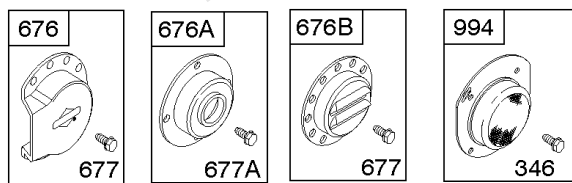
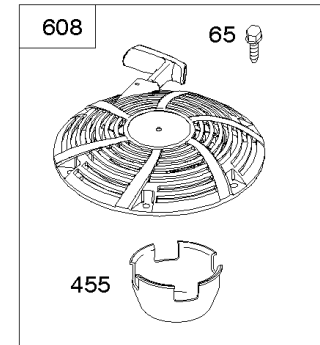
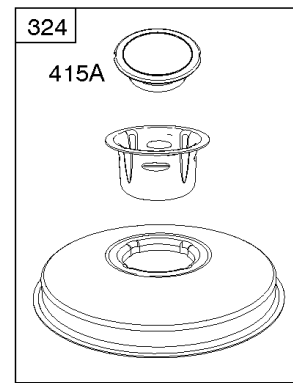
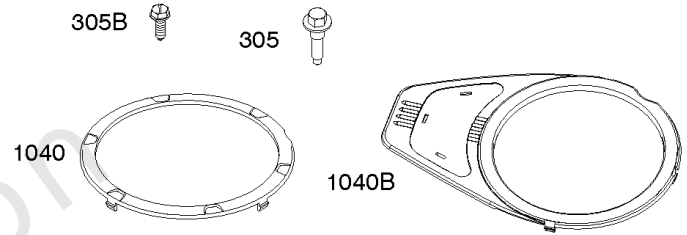
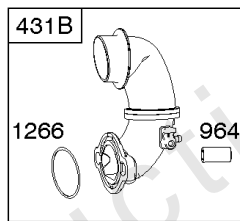
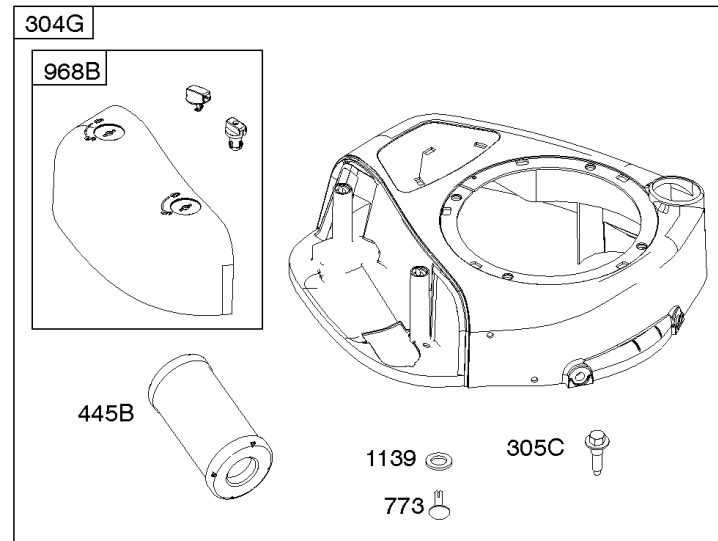
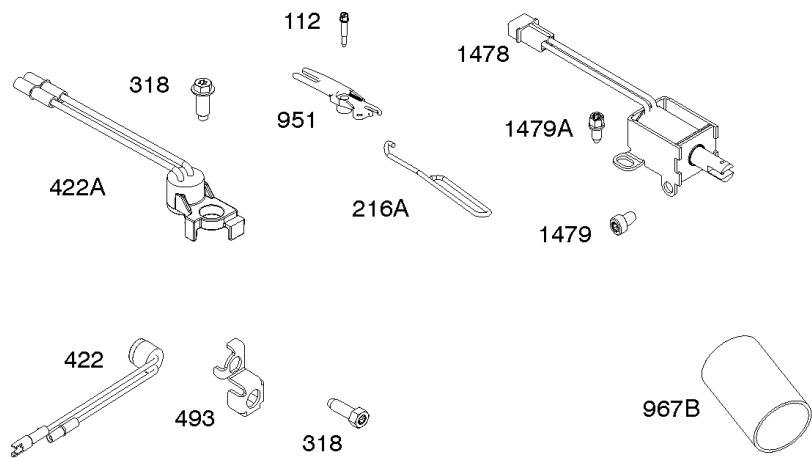


# Parts Manual

Mfg. No: 31R507-0012-B1

# Air Cleaner, Blower Housing, Exhaust System, Flywheel, Ready Start

Mfg. No: 31R507-0012-B1



## **Air Cleaner, Blower Housing, Exhaust System, Flywheel, Ready Start**

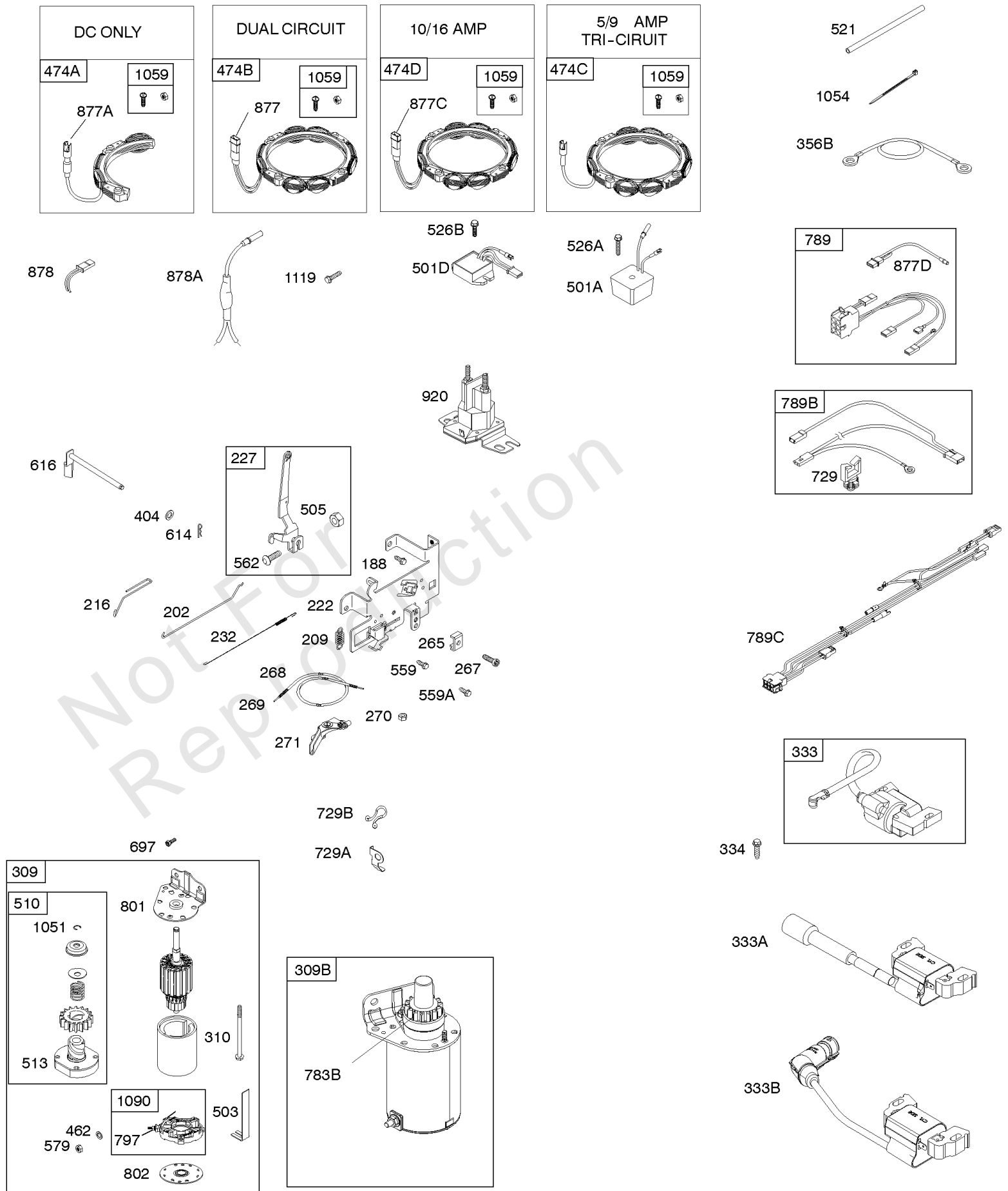
REF NO	PART NO	QTY	DESCRIPTION
23	591758		FLYWHEEL
24	591757		KEY, Flywheel
37	697352		GUARD, Flywheel
65	690940		SCREW -(Rewind Starter)
78	691693		SCREW -(Flywheel Guard)
81	691178		LOCK, Muffler Screw
112	593040		SCREW -(Choke Lever)
216A	593043		LINK, Choke
300B	795997		MUFFLER
304G	591643		HOUSING, Blower -(Black w/threaded inserts-Compatible With Canister Style Filter)
304G	591642		HOUSING, Blower -(Black-Compatible With Canister Style Filter)
305	697102		SCREW -(Blower Housing) (Blower Housing)(Shoulder Bolt)
305B	795891		SCREW -(Blower Housing) (Hex Head Tapping)
305C	799370		SCREW -(Blower Housing) (Blower Housing)(Shoulder Bolt)
318	594384		SCREW -(Mounting Bracket)
324	593933		SCREEN/CUP ASSEMBLY
363	19203		PULLER, Flywheel
415A	794129		COVER, Flywheel
422	-----		Switch-Snap -(No Longer Available, For Replacement Order Reference 422A & 789C)
422A	593056		SWITCH, Snap
431B	797901		ELBOW, Intake -(Black-Compatible With Canister Style Filter)
445B	594201		FILTER, A/C Cartridge -(Canister)
455	796615		CUP, Flywheel
493	593057		BRACKET, Mounting
608	591606		STARTER, Rewind
613	691416		SCREW -(Muffler)
613B	690297		SCREW -(Muffler)
676	795036		DEFLECTOR, Muffler
676A	396903		DEFLECTOR, Muffler
676B	795038		DEFLECTOR, Muffler
677	794845		SCREW -(Muffler Deflector)
677A	690661		SCREW -(Muffler Deflector)
773	796448		RETAINER
783B	593935		GEAR, Pinion
823	698941		SCREW -(Muffler Adapter)
832A	595029		GUARD, Muffler
864	796002		ADAPTER, Muffler -(2 1/4" Long)
883	692236		GASKET, Exhaust

## ***Air Cleaner, Blower Housing, Exhaust System, Flywheel, Ready Start***

<b>REF NO</b>	<b>PART NO</b>	<b>QTY</b>	<b>DESCRIPTION</b>
951	593039		LEVER, Choke
964	799159		CAP, Connector
967B	797704		FILTER, Pre Cleaner
968B	591647		COVER, Air Cleaner -(Black-Compatible With Canister Style Filter)
994	794945		ARRESTOR, Spark
1005	796083		FAN, Flywheel
1040	698368		PLATE, Trim
1040B	699852		PLATE, Trim
1044	698139		SCREW -(Flywheel)
1051	691265		RING, Retaining
1139	796449		WASHER -(Fuel Pump Bracket)
1266	691917		SEAL, O-Ring -(Intake Elbow)
1478	593037		SOLENOID, Choke
1479	593041		SCREW -(Choke Solenoid)
1479A	593042		SCREW -(Choke Solenoid)

# Alternator, Controls, Wire Assembly, Electric Starter, Governor Spring, Ignition, Ready

Mfg. No: 31R507-0012-B1



## ***Alternator, Controls, Wire Assembly, Electric Starter, Governor Spring, Ignition, Ready***

<b>REF NO</b>	<b>PART NO</b>	<b>QTY</b>	<b>DESCRIPTION</b>
188	691693		SCREW -(Control Bracket)
202	691841		LINK, Mechanical Governor
209	796260		SPRING, Governor
216	691840		LINK, Choke
222	694042		BRACKET, Control
227	691374		LEVER, Governor Control
232	691842		SPRING, Governor Link
265	691024		CLAMP, Casing
267	794904		SCREW -(Casing Clamp)
268	691025		CASING, Control Wire -(Cut To Required Length)
269	691026		WIRE, Control -(Cut To Required Length)
270	691027		NUT -(Control Wire Casing)
271	691028		LEVER, Control
309	693551		MOTOR, Starter
310	690323		BOLT -(Starter Motor) (Starter Motor)
310	691263		BOLT -(Starter Motor) (4 3/8 Housing) (Starter Motor) (4 3/8 Housing)
333	799650		ARMATURE, Magneto -Used Before Code Date 16070100
333B	595304		ARMATURE, Magneto -(EMC Compliant) -Used After Code Date 16063000
334	691061		SCREW -(Magneto Armature)
356B	697089		WIRE, Stop
404	691691		WASHER -(Governor Crank)
462	691261		WASHER -(Starter Cable)
474C	592829		ALTERNATOR -(Tri Circuit Or 5/9 Amp. Regulated)
501A	794360		REGULATOR -(5/9 Amp.)
503	691532		STRAP, Starter
505	691251		NUT -(Governor Control Lever)
510	693699		DRIVE, Starter
513	692024		CLUTCH, Drive
521	690581		SHIELD, Cable
526A	697088		SCREW -(Regulator)
526B	697348		SCREW -(Regulator)
559	697561		SCREW -(Remote Choke Stop) (Length .375 Inches)
559A	693675		SCREW -(Remote Choke Stop) (Length .419 Inches)
562	691119		BOLT -(Governor Control Lever)
579	691029		NUT -(Starter Cable)
614	691620		PIN, Cotter

## ***Alternator, Controls, Wire Assembly, Electric Starter, Governor Spring, Ignition, Ready***

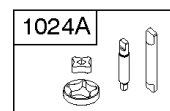
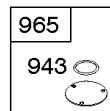
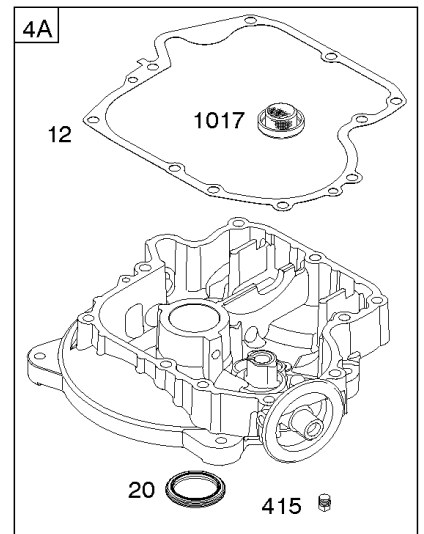
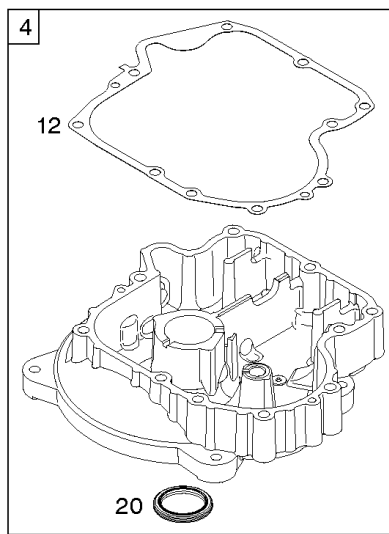
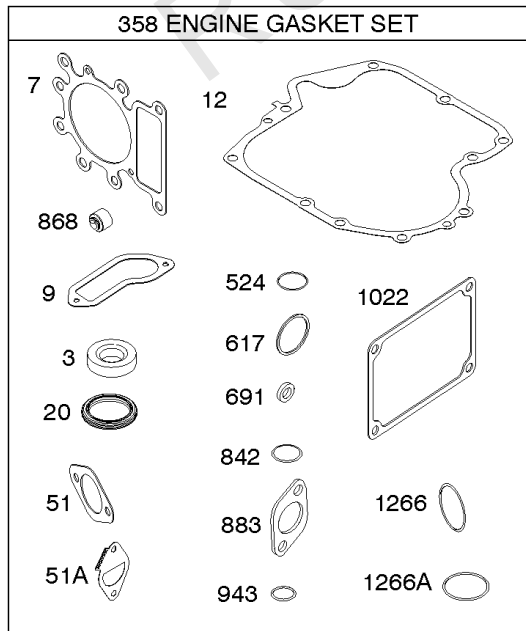
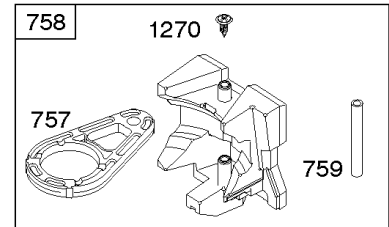
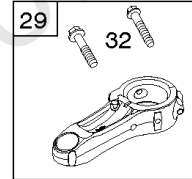
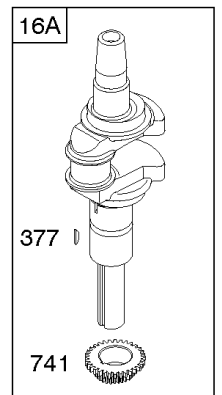
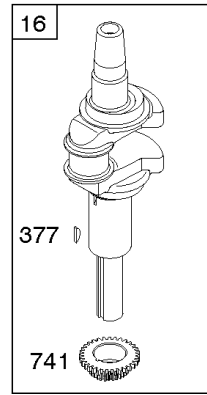
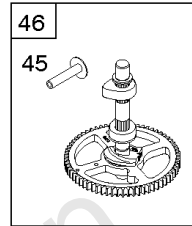
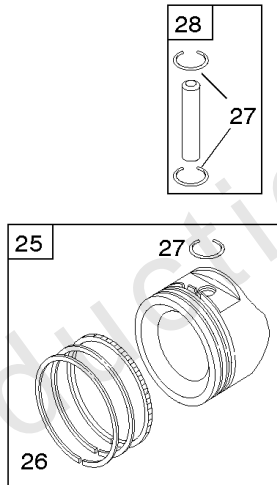
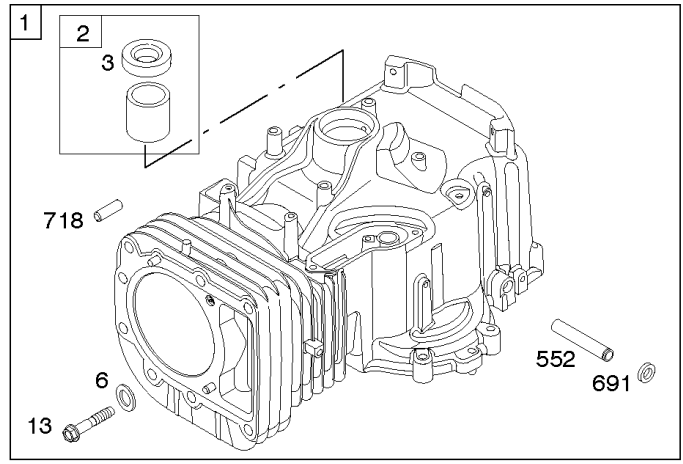
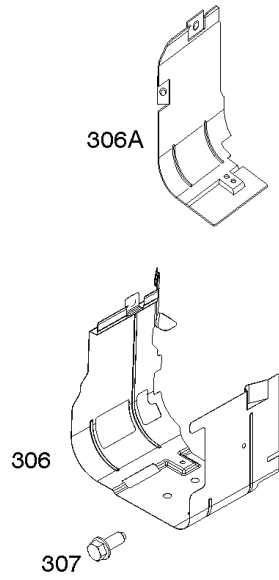
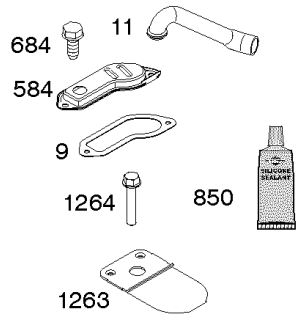
<b>REF NO</b>	<b>PART NO</b>	<b>QTY</b>	<b>DESCRIPTION</b>
616	692012		CRANK, Governor
697	791680		SCREW -(Starter Motor) (Drive Cap)
729	691335		CLIP, Wire -(Wire Saddle)
729A	691224		CLIP, Wire -(Aluminum Coated Steel)
729B	694123		CLIP, Wire
783B	593935		GEAR, Pinion
789	698329		HARNESS, Wiring
789B	692037		HARNESS, Wiring
789C	594359		HARNESS, Wiring
797	693167		NUT -(Brush Retainer)
801	691283		CAP, Drive
802	691286		CAP, End
877	393456		WIRE/CONNECTOR, Alternator -(Dual Circuit)
877A	393814		WIRE/CONNECTOR, Alternator -(10 Amp Regulated)
877C	399916		WIRE/CONNECTOR, Alternator -(10 and 16 Amp Regulated)
877D	790544		WIRE/CONNECTOR, Alternator
878	398661		HARNESS, Wiring -(Dual Circuit)
878A	691955		HARNESS, Alternator -(Tri Circuit)
920	691656		SOLENOID, Starter
1051	691265		RING, Retaining
1054	280275		TIE, Cable
1059	698516		KIT, Screw/Washer
1090	691293		RETAINER, Brush
1119	691183		SCREW -(Alternator)

# CAMSHAFT, CRANKSHAFT & COUNTER BALANCE, CYLINDER, ENGINE SUMP &

Mfg. No: 31R507-0012-B1

1036 EMISSIONS LABEL

1319 WARNING LABEL





## **CAMSHAFT, CRANKSHAFT & COUNTER BALANCE, CYLINDER, ENGINE SUMP &**

<b>REF NO</b>	<b>PART NO</b>	<b>QTY</b>	<b>DESCRIPTION</b>
1	796010		CYLINDER ASSEMBLY
2	797673		KIT, Bushing/Seal -(Magneto Side)
3	391086S		SEAL, Oil -(Magneto Side)
4	697106		SUMP, Engine
6	690310		WASHER -(Cylinder Head)
7	796584		GASKET, Cylinder Head
9	697109		GASKET, Breather -(Use Liquid Sealant Reference 850)
11	794683		TUBE, Breather
12	697110		GASKET, Crankcase
13	592244		SCREW -(Cylinder Head) (5/16-18 x 2.69)
15	690946		PLUG, Oil Drain -(Square Head)
15	691680		PLUG, Oil Drain -(Square Socket)
16	591946		CRANKSHAFT -Used After Code Date 14100500
16	596006		CRANKSHAFT -Used Before Code Date 14100600
20	795387		SEAL, Oil -(PTO Side)
22	692125		SCREW -(Crankcase Cover/Sump)
24	591757		KEY, Flywheel
25	796172		PISTON ASSEMBLY -(Standard) -Used Before Code Date 14100100
25	796173		PISTON ASSEMBLY -(.020 Oversize) -Used Before Code Date 14100100
25	594435		PISTON ASSEMBLY -(Standard) -Used After Code Date 14093000
25	594436		PISTON ASSEMBLY -(.020" Oversize) -Used After Code Date 14093000
26	594438		SET, Ring -(.020 Oversize) -Used After Code Date 14093000
26	792649		SET, Ring -(.020 Oversize) -Used Before Code Date 14100100
26	594437		SET, Ring -(Standard)
27	698469		LOCK, Piston Pin
28	594439		PIN, Piston -(1.62" Long) -Used After Code Date 14093000
28	796007		PIN, Piston -(1.97 ) -Used Before Code Date 14100100
29	794122		ROD, Connecting
32	791118		SCREW -(Connecting Rod)
43	691968		SLINGER, Governor/Oil
45	690564		TAPPET, Valve

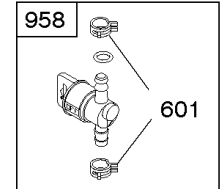
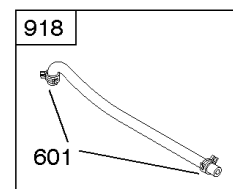
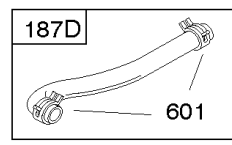
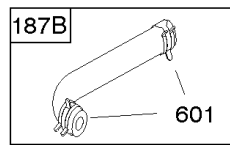
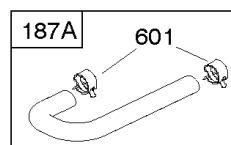
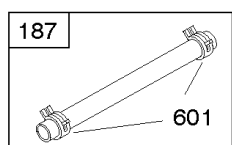
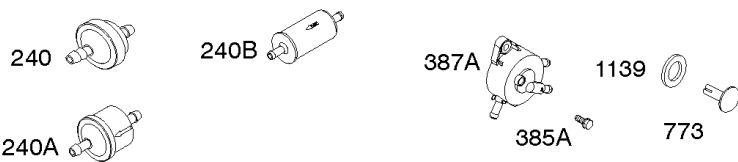
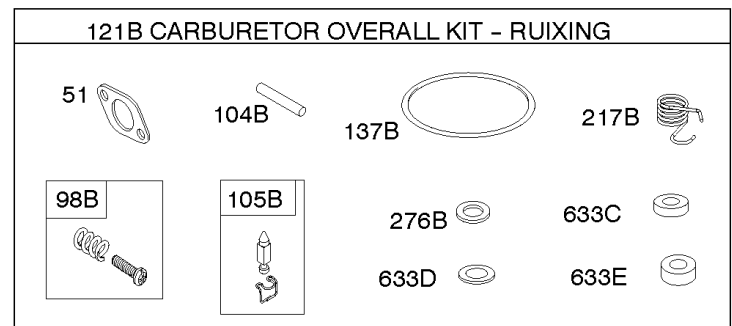
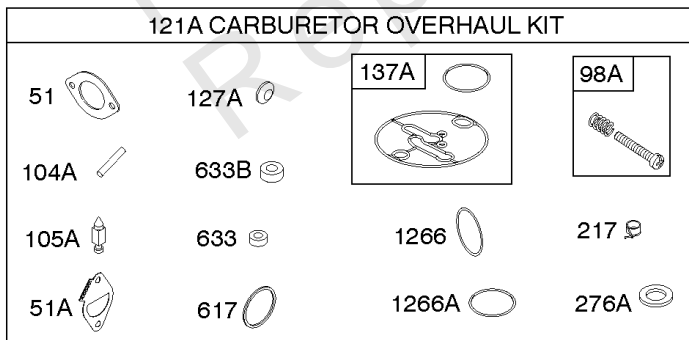
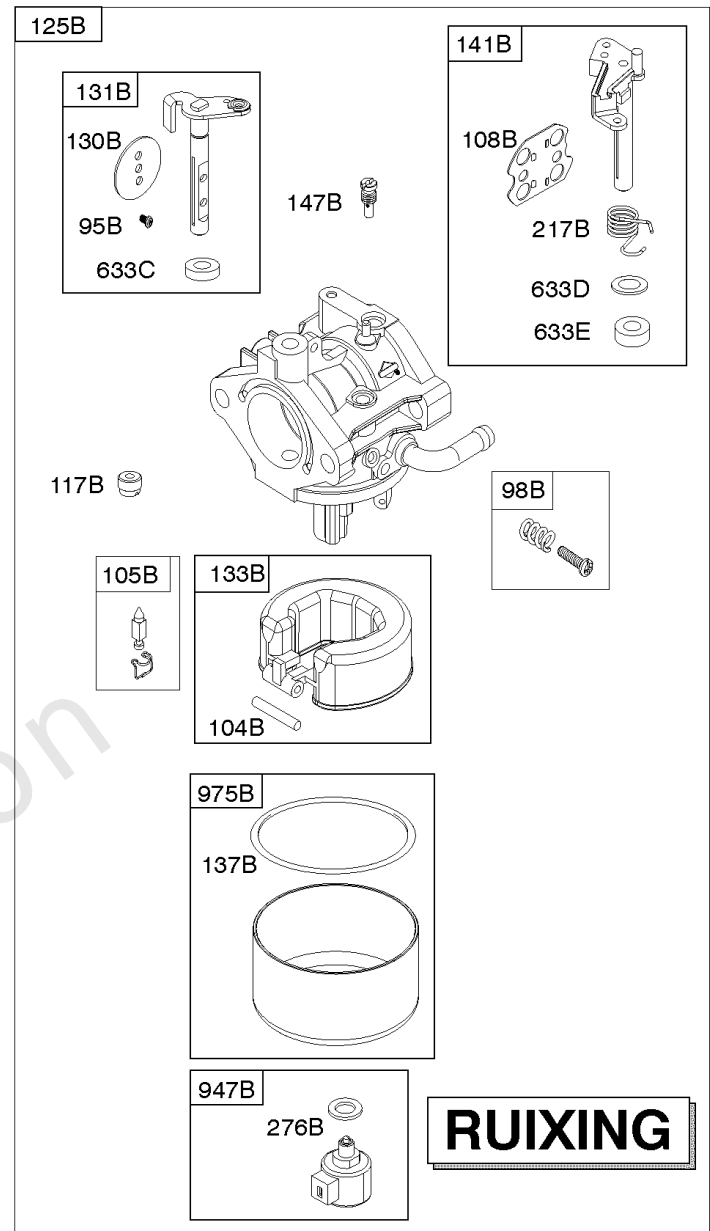
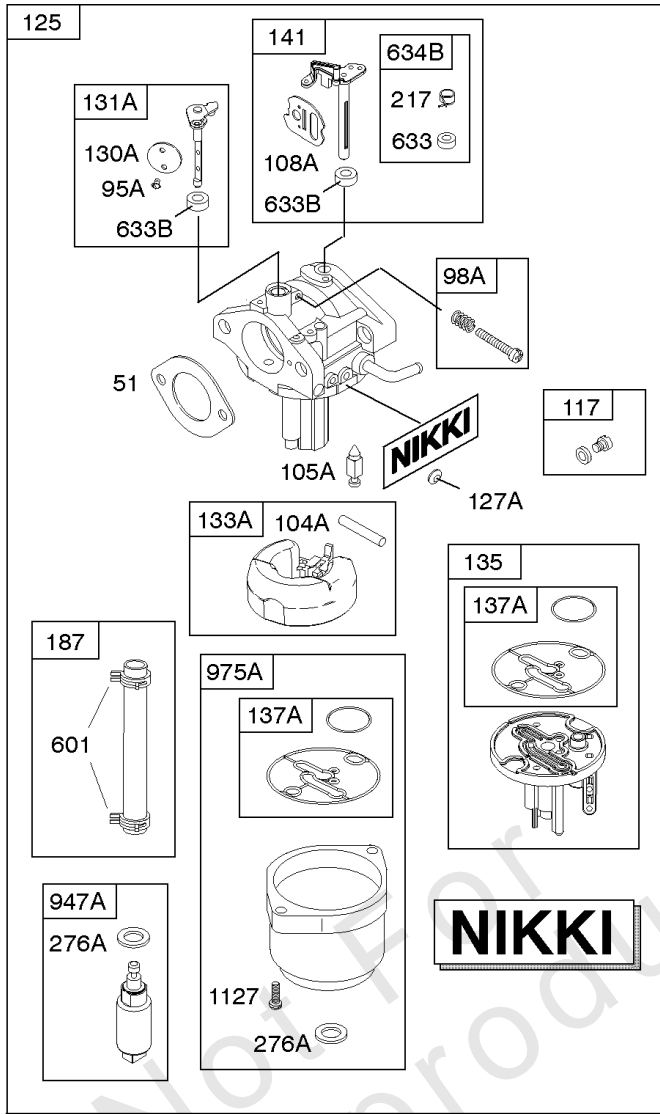
## **CAMSHAFT, CRANKSHAFT & COUNTER BALANCE, CYLINDER, ENGINE SUMP &**

<b>REF NO</b>	<b>PART NO</b>	<b>QTY</b>	<b>DESCRIPTION</b>
46	793880		CAMSHAFT
51	692137		GASKET, Intake
51A	796081		GASKET, Intake
306	592777		SHIELD, Cylinder
306A	794953		SHIELD, Cylinder
307	691693		SCREW -(Cylinder Shield)
357	691483		KEY, Drive Pulley
358	796187		GASKET SET, Engine
377	691639		KEY, Timing
415	794903		PLUG -(Engine Sump)
524	691032		SEAL, O-Ring
552	697144		BUSHING, Governor Crank
584	794682		COVER, Breather Passage -(Use with Liquid Sealant Reference 850)
617	692138		SEAL, O-Ring -(Intake Manifold)
684	697157		SCREW -(Breather Passage Cover)
691	692407		SEAL, Governor Shaft
718	690959		PIN, Locating
741	697128		GEAR, Timing
750	790832		SCREW -(Oil Pump Cover)
757	793242		LINK, Counterweight
758	594443		COUNTERWEIGHT -Used After Code Date 14093000
758	793763		COUNTERWEIGHT -Used Before Code Date 14100100
759	697392		PIN, Counterweight
842	691031		SEAL, O-Ring -(Dipstick Tube) (Special Dipstick Tube)
850	100106		SEALANT, Liquid -(Rocker Cover Gasket and Breather Gasket) -Used After Code Date 07071800
868	690968		SEAL, Valve
883	692236		GASKET, Exhaust
943	690589		SEAL, O-Ring -(Oil Pump Cover)
965	499613		COVER, Oil Pump
1017	796981		SCREEN, Oil Pump -(Push In)
1022	272475S		GASKET, Rocker Cover -(Use Liquid Sealant Reference 850)
1024A	794644		SHAFT, Pump
1027	492932S		FILTER, Oil -(Standard)(Black)
1027	696854		FILTER, Oil -(Premium)
1027	798576		FILTER, Oil -(Premium)
1036	-----		Label-Emissions -(Available From A Briggs & Stratton Authorized Dealer)
1263	697124		REED, Breather
1264	697104		SCREW -(Breather Reed)

## ***CAMSHAFT, CRANKSHAFT & COUNTER BALANCE, CYLINDER, ENGINE SUMP &***

<b>REF NO</b>	<b>PART NO</b>	<b>QTY</b>	<b>DESCRIPTION</b>
1266	691917		SEAL, O-Ring -(Intake Elbow)
1266A	697123		SEAL, O-Ring -(Intake Elbow)
1270	793243		PLUG, AVS Counterweight
1319	794467		LABEL, Warning

Not For Reproduction



## CARBURETOR, FUEL SUPPLY, KIT - CARBURETOR OVERHAUL

REF NO	PART NO	QTY	DESCRIPTION
51	692137		GASKET, Intake
51A	796081		GASKET, Intake
95A	690718		SCREW -(Throttle Valve) (Nikki) -Used Before Code Date 15113000
95B	593897		SCREW -(Throttle Valve) (Ruixing) -Used After Code Date 15112900
98A	695408		KIT, Idle Speed -(Nikki) -Used Before Code Date 15113000
98B	846817		KIT, Idle Speed -(Ruixing) -Used After Code Date 15112900
104A	694918		PIN, Float Hinge -(Nikki) -Used Before Code Date 15113000
104B	594860		PIN, Float Hinge -(Ruixing) -Used After Code Date 15112900
105A	696136		VALVE, Float Needle -(Nikki) -Used Before Code Date 15113000
105B	594868		VALVE, Float Needle -(Ruixing) -Used After Code Date 15112900
108A	698773		VALVE, Choke -(Nikki) -Used Before Code Date 15113000
108B	594863		VALVE, Choke -(Ruixing) -Used After Code Date 15112900
117	591936		JET, Main -(Standard) (Nikki) -Used Before Code Date 15113000
117B	597458		JET, Main -(Standard) (Ruixing) -Used After Code Date 15112900
118	695415		JET, Main -(High Altitude) (5000 Feet) -Used Before Code Date 15113000
118B	595070		JET, Main -(High Altitude) (5000 Feet) -Used After Code Date 15112900
121A	796184		KIT, Carburetor Overhaul -(Nikki Carburetor) -Used Before Code Date 15113000
121B	594886		KIT, Carburetor Overhaul -(Ruixing) -Used After Code Date 15112900
125	591731		CARBURETOR -(Nikki) -Used Before Code Date 15113000
125B	594593		CARBURETOR -(Ruixing)(Gravity Feed) -Used After Code Date 15112900
127A	690727		PLUG, Welch -(Nikki)
130A	699500		VALVE, Throttle -(Nikki) -Used Before Code Date 15113000
130B	594857		VALVE, Throttle -(Ruixing) -Used After Code Date 15112900

## CARBURETOR, FUEL SUPPLY, KIT - CARBURETOR OVERHAUL

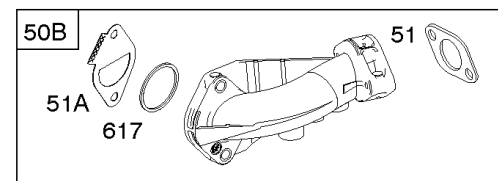
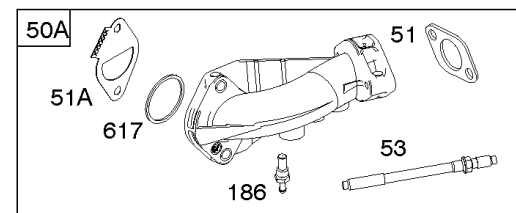
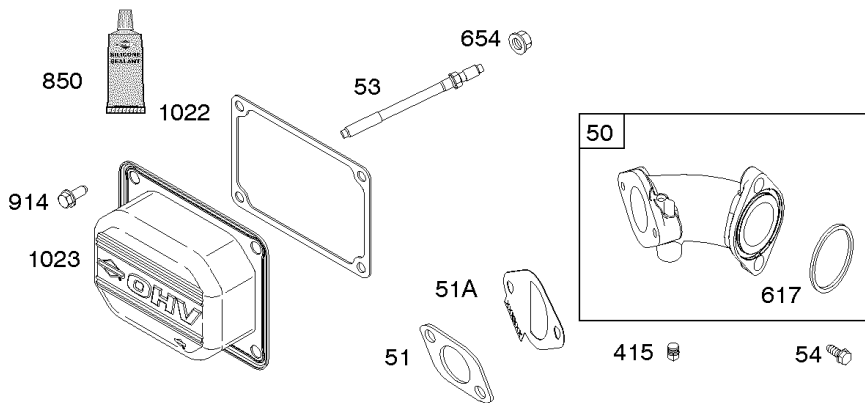
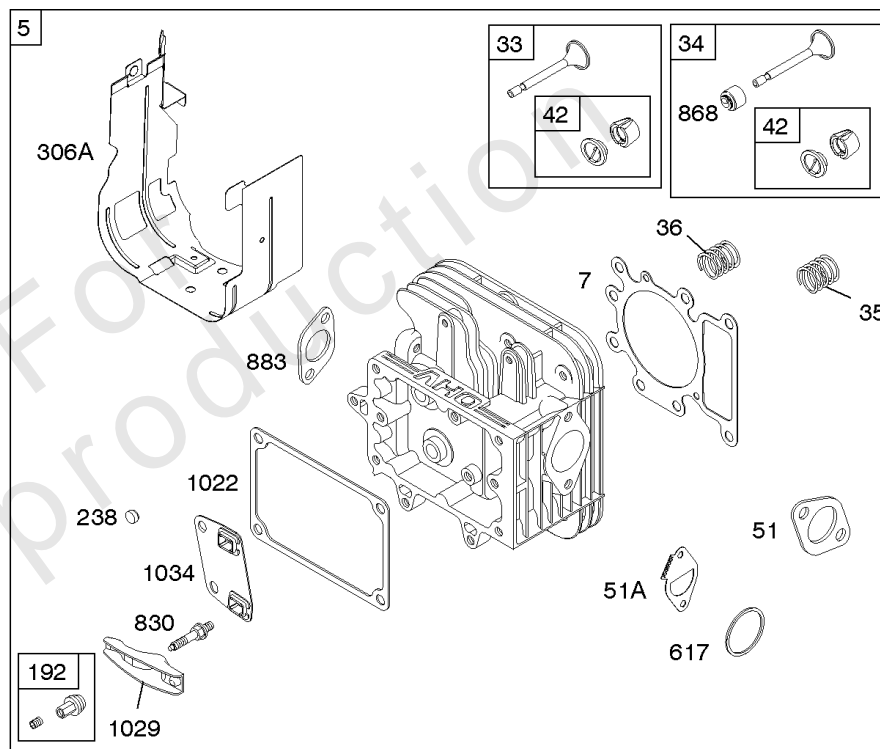
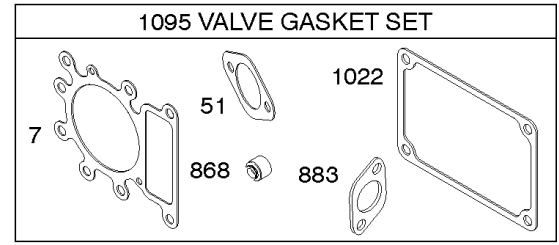
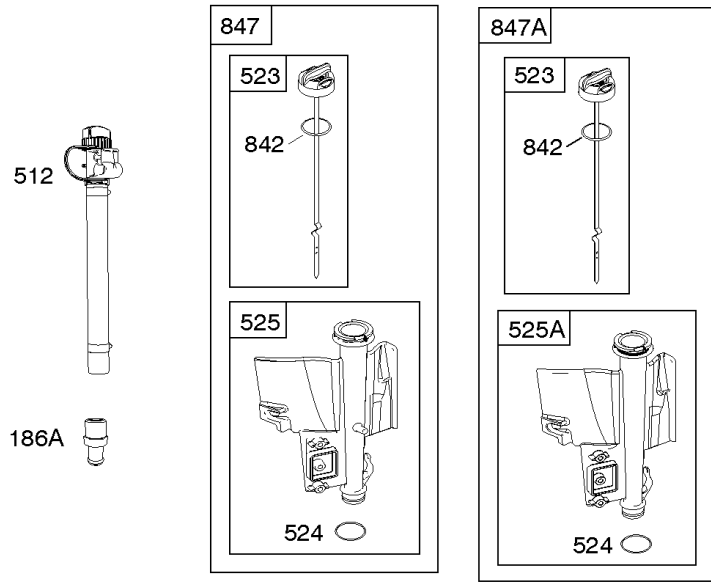
REF NO	PART NO	QTY	DESCRIPTION
131A	699501		KIT, Throttle Shaft -(Mow N Stow) -Used Before Code Date 15113000
131B	594855		KIT, Throttle Shaft -(Ruixing) -Used After Code Date 15112900
133A	694914		FLOAT, Carburetor -(Nikki) -Used Before Code Date 15113000
133B	594859		FLOAT, Carburetor -(Ruixing) -Used After Code Date 15112900
135	796400		TUBE, Fuel Transfer -(Nikki)(Gravity Feed)
137A	698781		GASKET, Float Bowl -(Nikki) -Used Before Code Date 15113000
137B	594861		GASKET, Float Bowl -(Ruixing) -Used After Code Date 15112900
141	792777		KIT, Choke Shaft -Used Before Code Date 15113000
141B	594862		KIT, Choke Shaft -(Ruixing) -Used After Code Date 15112900
147B	594874		JET, Pilot -(Ruixing) -Used After Code Date 15112900
187	791766		LINE, Fuel -(Straight)(Cut To Required Length)
187A	796491		LINE, Fuel -(Formed)(Cut To Required Length)
187B	791805		LINE, Fuel -(Formed)(Cut To Required Length)
187D	791744		LINE, Fuel -(Formed)(Cut To Required Length)
217	695409		SPRING, Choke Return -(Nikki) -Used Before Code Date 15113000
217B	594864		SPRING, Choke Return -(Ruixing) -Used After Code Date 15112900
240	394358S		FILTER, Fuel -(White, 75 Microns)
240A	84001895		FILTER, Fuel -(Includes Paper Element With A 40 Micron Rating)
240B	695666		FILTER, Fuel -(Includes Paper Element With A 30 Micron Rating)
276A	695410		WASHER, Sealing -(Nikki) -Used Before Code Date 15113000
276B	846640		WASHER, Sealing -(Ruixing) -Used After Code Date 15112900
385A	690297		SCREW -(Regulator) (Fuel Pump)
387A	808656		PUMP, Fuel
601	791850		CLAMP, Hose
617	692138		SEAL, O-Ring -(Intake Manifold)
633	699813		SEAL, Choke/Throttle Shaft

## CARBURETOR, FUEL SUPPLY, KIT - CARBURETOR OVERHAUL

REF NO	PART NO	QTY	DESCRIPTION
633B	690998		SEAL, Choke/Throttle Shaft -(Nikki) -Used Before Code Date 15113000
633C	594866		SEAL, Choke/Throttle Shaft -(Ruixing) -Used After Code Date 15112900
633D	594865		SEAL, Choke/Throttle Shaft -(Ruixing) -Used After Code Date 15112900
633E	797629		SEAL, Choke/Throttle Shaft -(Ruixing) -Used After Code Date 15112900
634B	698779		SPRING/SEAL ASSEMBLY -(Nikki)
773	796448		RETAINER
918	791851		HOSE, Vacuum -(Fuel Pump)
947A	699915		SOLENOID, Fuel -(Nikki) -Used Before Code Date 15113000
947B	846639		SOLENOID, Fuel -(Ruixing) -Used After Code Date 15112900
958	698183		VALVE, Fuel Shut Off
975A	699502		BOWL, Float -(Nikki) -Used Before Code Date 15113000
975B	594867		BOWL, Float -(Ruixing) -Used After Code Date 15112900
1127	695407		SCREW -(Float Bowl) (Float Bowl to Carburetor Body)
1139	796449		WASHER -(Fuel Pump Bracket)
1266	691917		SEAL, O-Ring -(Intake Elbow)
1266A	697123		SEAL, O-Ring -(Intake Elbow)

# CYLINDER HEAD, GASKET SET - VALVE, INTAKE MANIFOLD, OIL FILL, VALVES

Mfg. No: 31R507-0012-B1





## CYLINDER HEAD, GASKET SET - VALVE, INTAKE MANIFOLD, OIL FILL, VALVES

REF NO	PART NO	QTY	DESCRIPTION
5	796026		HEAD, Cylinder
7	796584		GASKET, Cylinder Head
13	592244		SCREW -(Cylinder Head) (5/16-18 x 2.69)
33	792868		VALVE, Exhaust
34	791935		VALVE, Intake
35	691279		SPRING, Valve -(Intake)
36	691279		SPRING, Valve -(Exhaust)
42	499586		KEEPER, Valve
45	690564		TAPPET, Valve
50	592845		MANIFOLD, Intake
50A	591248		MANIFOLD, Intake
50B	592842		MANIFOLD, Intake
51	692137		GASKET, Intake
51A	796081		GASKET, Intake
53	591260		STUD -(Carburetor)
54	691148		SCREW -(Intake Manifold)
186	794873		CONNECTOR, Hose
186A	796532		CONNECTOR, Hose
192	691986		ADJUSTER, Rocker Arm
238	691843		CAP, Valve
306A	794953		SHIELD, Cylinder
307	691693		SCREW -(Cylinder Shield)
337	792015		PLUG, Spark -(EMS)
383	19576S		WRENCH, Spark Plug -(5/8 & 13/16, 8" Long)
415	794903		PLUG -(Engine Sump)
512	594200		HOSE, Oil Drain
523	699908		DIPSTICK
524	691032		SEAL, O-Ring
525	697085		TUBE, Dipstick
525A	697184		TUBE, Dipstick -(Standard Dipstick Tube)
617	692138		SEAL, O-Ring -(Intake Manifold)
635	691909		BOOT, Spark Plug
654	690958		NUT -(Carburetor)
830	691095		STUD, Rocker Arm
842	691031		SEAL, O-Ring -(Dipstick Tube) (Special Dipstick Tube)
847	790443		DIPSTICK/TUBE ASSEMBLY
847A	790442		DIPSTICK/TUBE ASSEMBLY -(Standard Dipstick Tube)
850	100106		SEALANT, Liquid -(Rocker Cover Gasket and Breather Gasket) -Used After Code Date 07071800
868	690968		SEAL, Valve
883	692236		GASKET, Exhaust

## CYLINDER HEAD, GASKET SET - VALVE, INTAKE MANIFOLD, OIL FILL, VALVES

REF NO	PART NO	QTY	DESCRIPTION
914	691108		SCREW -(Rocker Cover)
1022	272475S		GASKET, Rocker Cover -(Use Liquid Sealant Reference 850)
1023	797421		COVER, Rocker
1026	692003		ROD, Push -(Intake)
1026	692011		ROD, Push -(Exhaust)
1029	691751		ARM, Rocker
1034	690822		GUIDE, Push Rod
1095	794152		GASKET SET, Valve

Not For Reproduction

