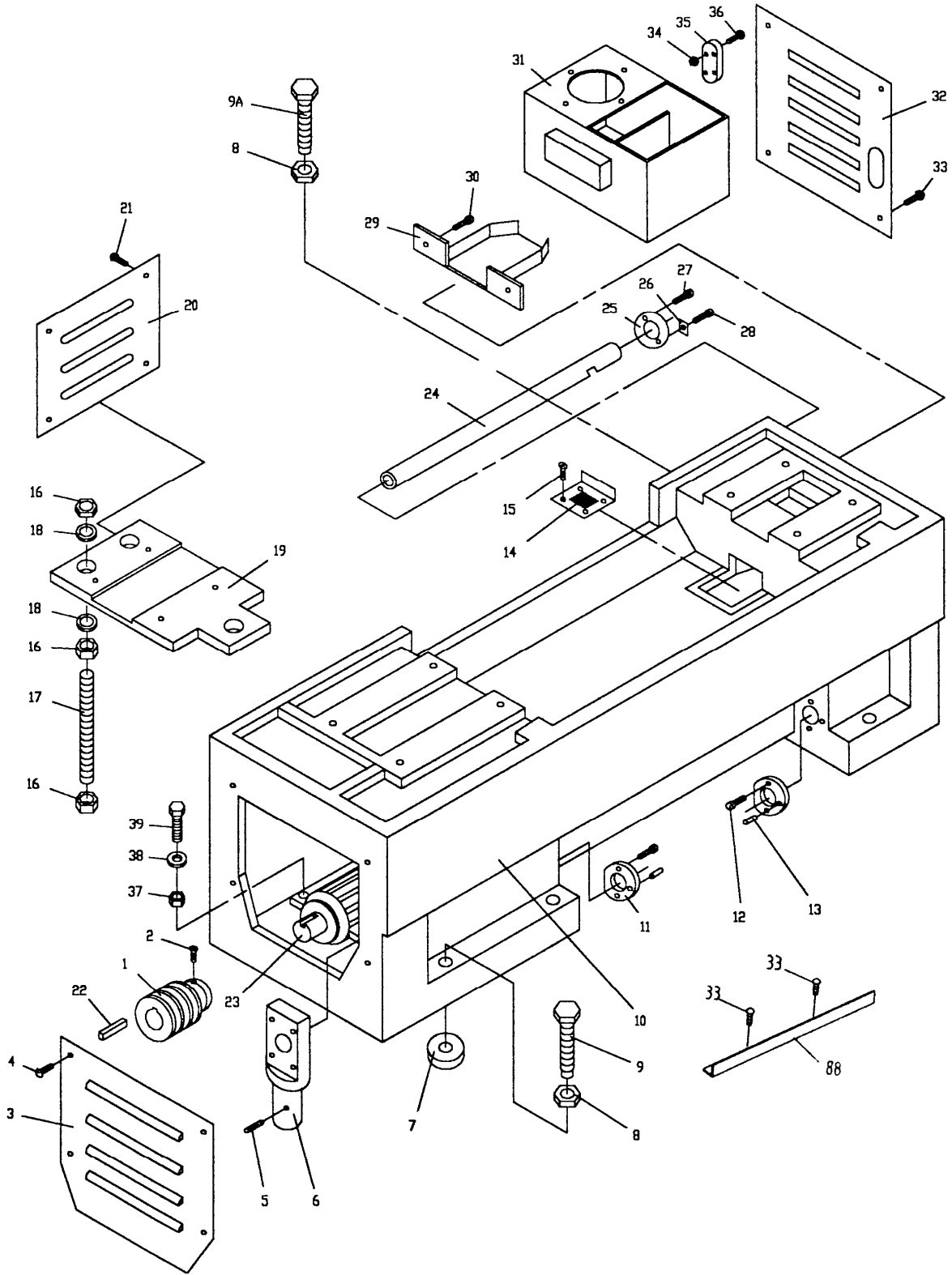


# Stand Assembly

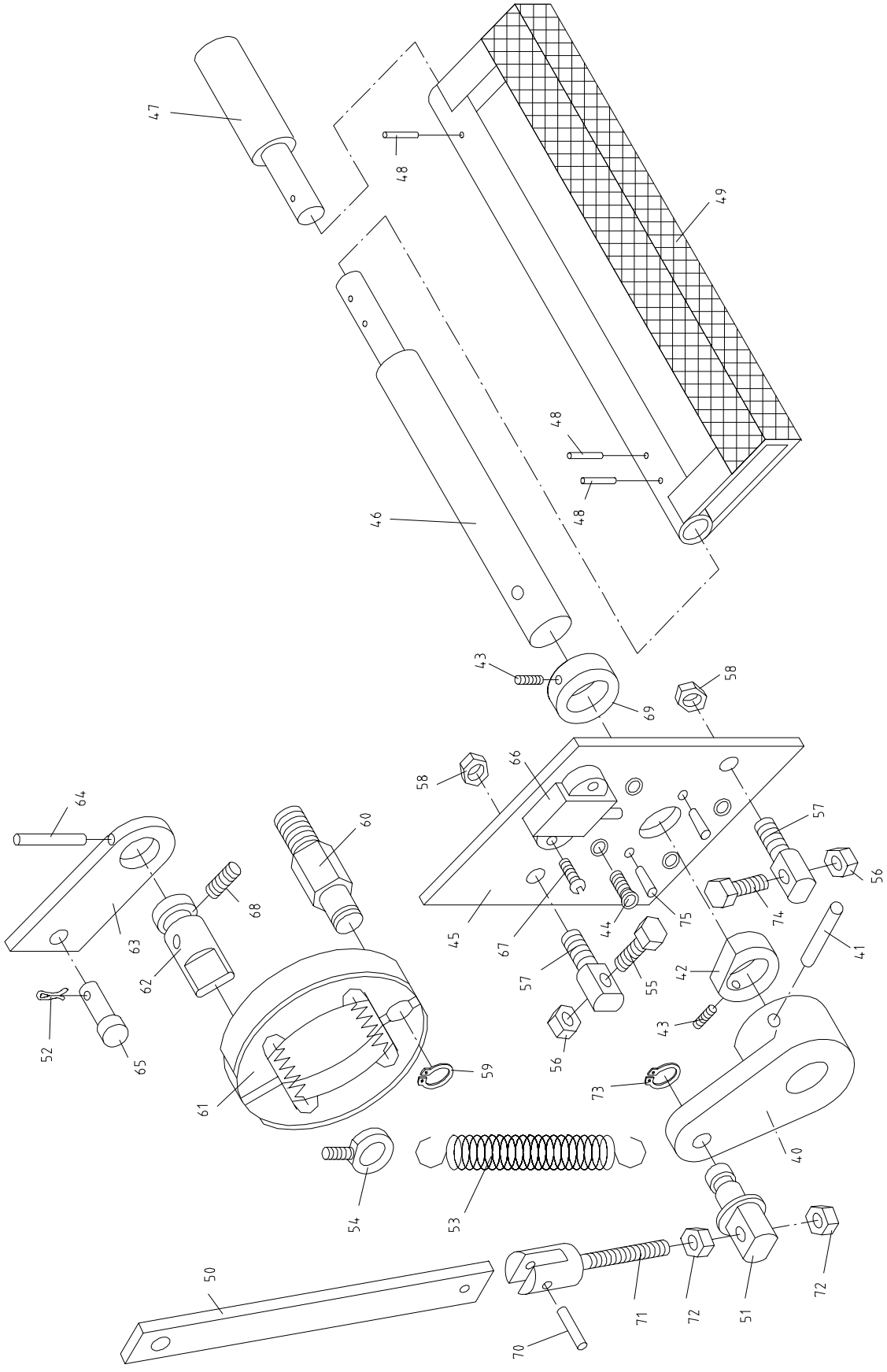


## Stand Assembly

Index No.	Part No.	Description	Size	Qty.
1	ZX-01101A	Pulley		1
	GH2280ZX-01101	Pulley (for 2280ZX)		1
2	ZX-S2	Cylindrical End Set Screw	M8x16	1
3	ZX-01734	Cover		1
	ML-2080-01701	Cover (for 2280ZX)		1
4	ZX-S4	Cross Head Screw	M6x14	4
5	ZX-S2	Cylindrical End Set Screw	M8x16	1
6	ZX-01701	Pedal Rod Support		1
	ML-2080-01703	Pedal Rod Support (for 2280ZX)		1
7	ZX-01715	Lining		6
8	TS-1540231	Hex Nut	M24-2	6
9	ZX-01712	Hex Cap Bolt		3
9A	ZX-01713	Hex Cap Bolt		3
10	ZX-01102A	Bed Stand (for 40" models, serial # 010611ZX349 and lower)		1
	ZX-01102AN	New Bed Stand (for 40" models, serial # 010618ZX350 and higher)		1
	ZX-01102B	Bed Stand (for 60" models, serial # 010611ZX349 and lower)		1
	ZX-01102BN	New Bed Stand (for 60" models, serial # 010618ZX350 and higher)		1
	ZX-01102C	Bed Stand (for 1880ZX, serial # 010611ZX349 and lower)		1
	ZX-01102CN	New Bed Stand (for 1880ZX, serial # 010618ZX350 and higher)		1
	GH2280ZX-01102	Bed Stand (for 2280ZX)		1
11	ZX-01703	Fixed Support		2
12	TS-150341	Socket Head Cap Screw	M6x14	4
13	ZX-S13	Taper Pin	5x20	2
14	ZX-01705	Water Leaking Chip Guard		1
15	ZX-S15A	Cross Head Screw	M5x20	4
16	TS-1540121	Hex Nut	M20	9
17	ZX-01702	Bolt		3
	ML-2080-01704	Bolt (for 2280ZX)		3
18	TS-1550111	Flat Washer	M20	6
19	ZX-01122A	Motor Mounting Plate (for 14" models)		1
	ZX-01122B	Motor Mounting Plate (for 16"/18" models)		1
	ML-2080-01122	Motor Mounting Plate (for 22" model)		1
20	ZX-01726	Cover		1
	GH2280ZX-01701	Cover		1
21	ZX-S4	Cross Head Screw	M6x14	4
22	ZX-S22	Key	10x8x70	1
23	ZX-S23BC	Main Motor (for 22" model)	10 HP, 6P, 3Ph	1
	ZX-S23A	Main Motor (for 14" models)	7.5HP, 4P, 3Ph	1
	ZX-S23B	Main Motor (for 16"/18" models)	7.5HP, 6P, 3Ph	1
24	ZX-017609A	Wire Conduit (for 1440/1640/1840ZX)		1
	ZX-017609B	Wire Conduit (for 1460/1660/1860ZX)		1
	ZX-017609C	Wire Conduit (for 1880/2280ZX)		1
25	ZX-01708	Wire Conduit Support		1
26	ZX-01706	Locking Plate		1
27	ZX-S27	Cross Head Screw	M5x8	2
28	ZX-S15	Cross Head Screw	M4x6	1
29	ZX-01711	Water Reception Plate		1
30	ZX-S4	Cross Head Screw	M6x14	2
31	ZX-01510	Coolant Tank		1
32	ZX-01714	Cover		1
	ML-2080-01702	Cover (for 2280ZX)		1
33	ZX-S4	Cross Head Screw	M6x14	4
34	ZX-S34	Nut	M3	4
35	ZX-S35	Coolant Indicator		1
36	ZX-S36	Cross Head Screw	M3x20	4

Index No.	Part No.	Description	Size	Qty.
37	TS-1540072	Hex Nut	M10	4
38	TS-1550071	Flat Washer	M10	4
39	TS-1491041	Hex Cap Bolt	M10x30	4
80	ZX-01716A	Stand Front Cover (for 1440/1640/1840ZX)		1
	ZX-01716B	Stand Front Cover (for 1460/1660/1860ZX)		1
	ZX-01716C	Stand Front Cover (for 1880/2280ZX)		1
81	ZX-01501	Gasket		1
82	ZX-S82	Hex Nut	M5	2
83	ZX-01740	Left Tray		1
84	ZX-01741	Right Tray		1
85	ZX-01511	Gasket		2
86	ZX-S86	Cross Head Screw	M5x16	6
87	ZX-01512	Gasket		1
88	ZX-05753	Extending Plate		1
	JX21004	Terminal Board (not shown)		1
	18301	Junction Box (not shown)		1
	D97-4	Plastic Fitting (not shown)		1

# Brake Assembly



## Brake Assembly

Index No.	Part No.	Description	Size	Qty.
40	ZX-22101	Fork		1
41	ZX-S41	Spring Pin	5x40	1
42	ZX-22703	Butt Nail Support		1
43	TS-1524021	Socket Set Screw	M8x10	1
44	ZX-S44	Cross Head Screw	M5x20	4
45	ZX-22714	Positioning Plate		1
46	ZX-22704A	Driving Shaft-Longer		1
47	ZX-22705A	Driving Shaft		1
48	ZX-S48	Spring Pin	5x30	3
49	ZX-22712A	Pedal (for 1440/1640/1840ZX)		1
	ZX-22712B	Pedal (for 1460/1660/1860ZX)		1
	ZX-22712C	Pedal (for 1880/2280ZX)		1
50	ZX-22710A	Draw Bar (for 14" models)		1
	ZX-22710B	Draw Bar (for 16" models)		1
	ZX-22710C	Draw Bar (for 18" models)		1
	GH2280ZX-22710	Draw Bar (for 22" model)		1
51	ZX-22706	Connecting Shaft		1
52	ZX-S52	Split Pin	2x20	2
53	ZX-S53	Tensile Spring	3.5x26x190	1
54	ZX-S54	Eyebolt	M8	1
55	TS-1490091	Hex Cap Bolt	M8x50	1
56	TS-1540061	Hex Nut	M8	1
57	ZX-22707A	Butt Rod Support		1
58	TS-1540072	Hex Nut	M10	1
59	ZX-S59	C-Clip	8	1
60	ZX-22701	Positioning Shaft		1
61	ZX-S61	Brake Shoe		1
62	ZX-22702	Brake Shaft		1
63	ZX-22708	Connecting Plate		1
64	ZX-S64	Elastic Pin	5x25	1
65	ZX-22709	Connecting Shaft		1
66	ZX-S66	Stroke Switch		1
67	ZX-S67	Screw	M4x25	2
68	ZX-S68	Cylindrical End Set Screw	M5x10	1
69	ZX-22711	Butt Nail Support		1
70	ZX-S70	Pin	5n6x20	1
71	ZX-22715	Adjust Bolt		1
72	TS-1540061	Hex Nut	M8	1
73	ZX-S73	C-Clip	12	2
74	TS-149006	Hex Cap Screw	M8x35	1
75	ZX-S75	Taper Pin	5x20	2



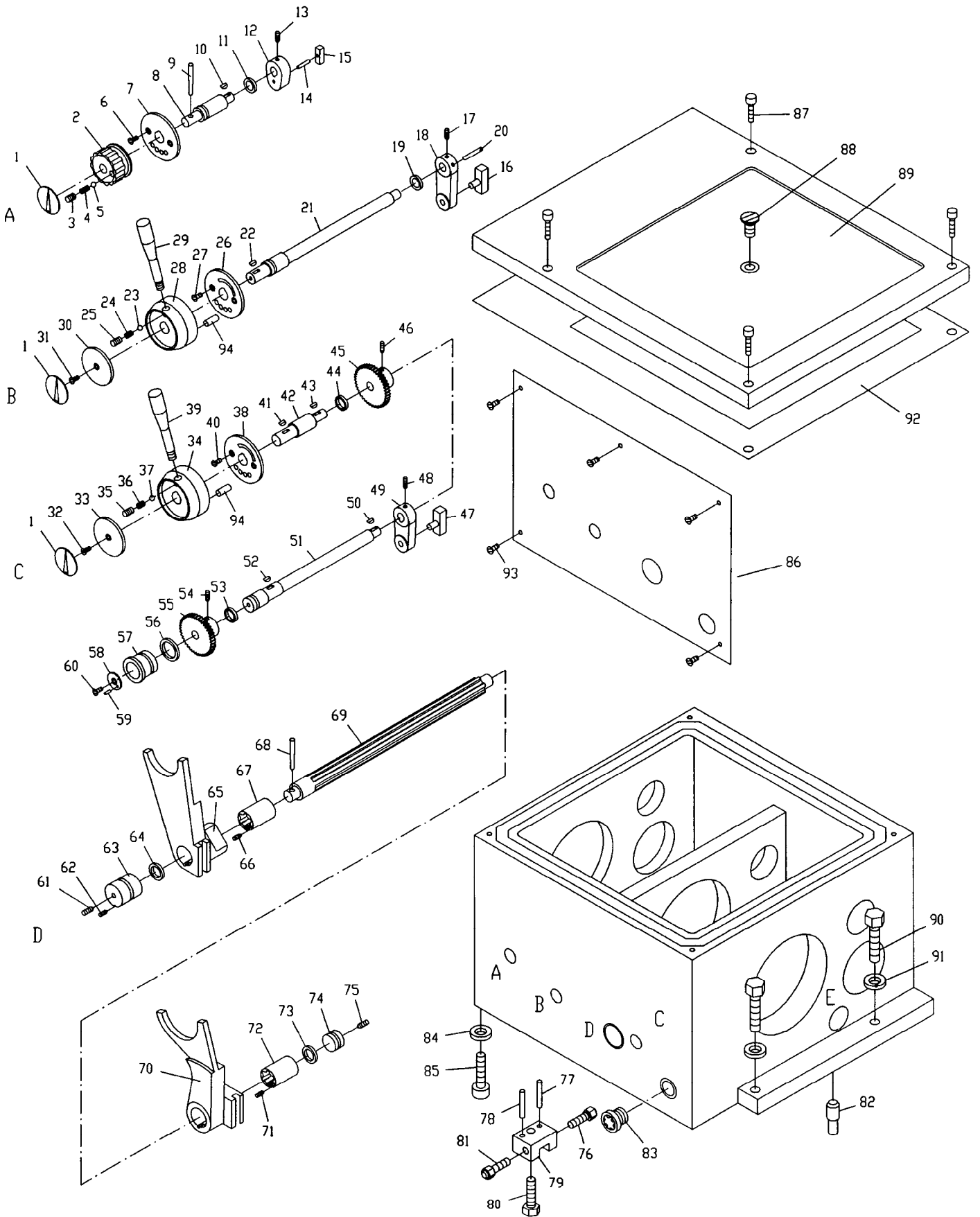
## Bed Assembly

Index No.	Part No.	Description	Size	Qty.
1.....	ZX-01104A.....	Bed (for 1440/1640/1840ZX).....		1
	ZX-01104B.....	Bed (for 1460/1660/1860ZX).....		1
	ZX-01104C.....	Bed (for 1880/2280ZX).....		1
2.....	TS-1550101.....	Flat Washer.....	M16.....	8
3.....	ZX-B3.....	Hex Cap Bolt.....	M16x50.....	8
4.....	ZX-01706.....	Rack.....		1
5.....	TS-1505051.....	Hex Socket Cap Screw (for 1440/1640/1840ZX).....	M10x35.....	10
		Hex Socket Cap Screw (for 1460/1660/1860ZX).....	M10x35.....	14
		Hex Socket Cap Screw (for 1880/2280ZX).....	M10x35.....	18
6.....	ZX-B6.....	Taper Pin (for 1440/1640/1840ZX).....	8x50.....	10
		Taper Pin (for 1460/1660/1860ZX).....	8x50.....	14
		Taper Pin (for 1880/2280ZX).....	8x50.....	18
7.....	ZX-01706A.....	Rack (for 1440/1640/1840ZX).....		4
		Rack (for 1460/1660/1860ZX).....		6
		Rack (for 1880/2280ZX).....		8
8.....	ZX-01112.....	Saddle.....		1
9.....	TS-1551081.....	Lock Washer.....	M12.....	4
10.....	TS-1506091.....	Hex Socket Cap Screw.....	M12x55.....	4
12.....	ZX-B12.....	Thread Taper Pin.....	12x70.....	2
13.....	TS-1491101.....	Hex Cap Bolt.....	M10x60.....	2
14.....	TS-1550071.....	Washer.....	M10.....	2
15.....	TS-1503021.....	Hex Socket Cap Screw.....	M6x10.....	6
16.....	TS-1550041.....	Washer.....	M6.....	6
17.....	ZX-01741A.....	Splash Guard (for 1440ZX).....		1
	ZX-01741B.....	Splash Guard (for 1460ZX).....		1
	ZX-01741C.....	Splash Guard (for 1640ZX).....		1
	ZX-01741D.....	Splash Guard (for 1660ZX).....		1
	ZX-01741E.....	Splash Guard (for 1840ZX).....		1
	ZX-01741F.....	Splash Guard (for 1860ZX).....		1
	ZX-01741G.....	Splash Guard (for 1880ZX).....		1
	GH2280ZX-12701.....	Splash Guard (for 2280ZX).....		1
18.....	ZX-B18.....	Shear Pin.....	5x35.....	2
19.....	ZX-01708A.....	Lead Screw (for 40" models, serial # 010611ZX349 and lower).....		1
	ZX-01708AN.....	New Lead Screw (for 40" models, serial # 010618ZX350 and higher).....		1
	ZX-01708B.....	Lead Screw (for 60" models, serial # 010611ZX349 and lower).....		1
	ZX-01708BN.....	New Lead Screw (for 60" models, serial # 010618ZX350 and higher).....		1
	ZX-01708C.....	Lead Screw (for 80" models, serial #010611ZX349 and lower).....		1
	ZX-01708CN.....	New Lead Screw (for 80" models, serial #010618ZX350 and higher).....		1
20.....	ZX-B20.....	Flat End Set Screw.....	M6x10.....	2
21.....	ZX-01109.....	Sleeve (serial # 010611ZX349 and lower).....		1
	ZX-01109N.....	New Sleeve (serial # 010618ZX350 and higher).....		1
22.....	ZX-1204.....	Double Row Spherical Ball Bearing.....	20x47x14.....	2
23.....	ZX-B23.....	C-Clip.....	20.....	2
24.....	ZX-01110.....	Bracket (serial # 010611ZX349 and lower).....		1
	ZX-01110N.....	New Bracket (serial # 010618ZX350 and higher).....		1
25.....	ZX-01111.....	Cover.....		1
26.....	TS-1503041.....	Hex Socket Cap Screw.....	M6x16.....	4
27.....	ZX-B27.....	Taper Pin.....	6x60.....	1
28.....	TS-1505081.....	Socket Cap Screw.....	M10x50.....	1
29.....	ZX-B29.....	Oil Cup.....	10.....	2
30.....	GH2280ZX-1230.....	Socket Cap Screw.....	M10x100.....	1
31.....	ZX-B31.....	Taper Pin.....	6x100.....	1

Index No.	Part No.	Description	Size	Qty.
32	ZX-01108	Sleeve (serial # 010611ZX349 and lower)		1
	ZX-01108N	New Sleeve (serial # 010618ZX350 and higher)		1
33	ZX-01709A	Feed Rod (for 40" models, serial # 010611ZX349 and lower)		1
	ZX-01709AN	New Feed Rod (for 40" models, serial # 010618ZX350 and higher)		1
	ZX-01709B	Feed Rod (for 60" models, serial # 010611ZX349 and lower)		1
	ZX-01709BN	New Feed Rod (for 60" models, serial # 010618ZX350 and higher)		1
	ZX-01709C	Feed Rod (for 80" models, serial # 010611ZX349 and lower)		1
	ZX-01709CN	New Feed Rod (for 80" models, serial # 010618ZX350 and higher)		1
34	ZX-B34	Taper Pin	5x30	1
35	ZX-01107	Poking Block		1
36	ZX-01707A	Control Rod (for 1440/1640/1840ZX)		1
	ZX-01707B	Control Rod (for 1460/1660/1860ZX)		1
	ZX-01707C	Control Rod (for 1880/2280ZX)		1
37	TS-1540031	Nut	M5	1
38	ZX-06720	Small Shaft		2
39	ZX-06001C-3	Sleeve		1
40	ZX-06001C-2	Spacer		1
41	ZX-B41	Spring	1x75x25	3
42	ZX-06001C-1	Bracket		1
43	TS-1504031	Hex Socket Cap Screw	M8x16	2
44	ZX-B44	Lever		1
45	ZX-06001C-4	Long Lever Sleeve		1
46	ZX-B46	Hex Nut	M8	2
47	ZX-B47	Set Screw	M8x28	2
48	ZX-06001C-5	Direction Change Ring		1
49	ZX-B49	Pin	8n6x20	1
50	ZX-B50	Taper Pin	3x20	1
51	TS-1505081	Socket Cap Screw	M10x50	2
52	ZX-05741	Threaded Tube		2
53	TS-1540081	Hex Nut	M12	2
54	ZX-B54	Drum Switch		1
55	ZX-S27	Cross Head Screw	M5x8	5
56	ZX-01718	Rocker		1
57	ZX-B57	Pin	3x16	1
58	ZX-01716	Bracket		1
59	ZX-01715C	Cover		1
60	ZX-B60	Cross Recessed Pan Head Screw	M6x18	4
61	TS-1482031	Hex Cap Bolt	M6x16	2
62	ZX-B62	Pin	2x15	2
63	ZX-01719	Rocker		1



# Headstock Assembly I

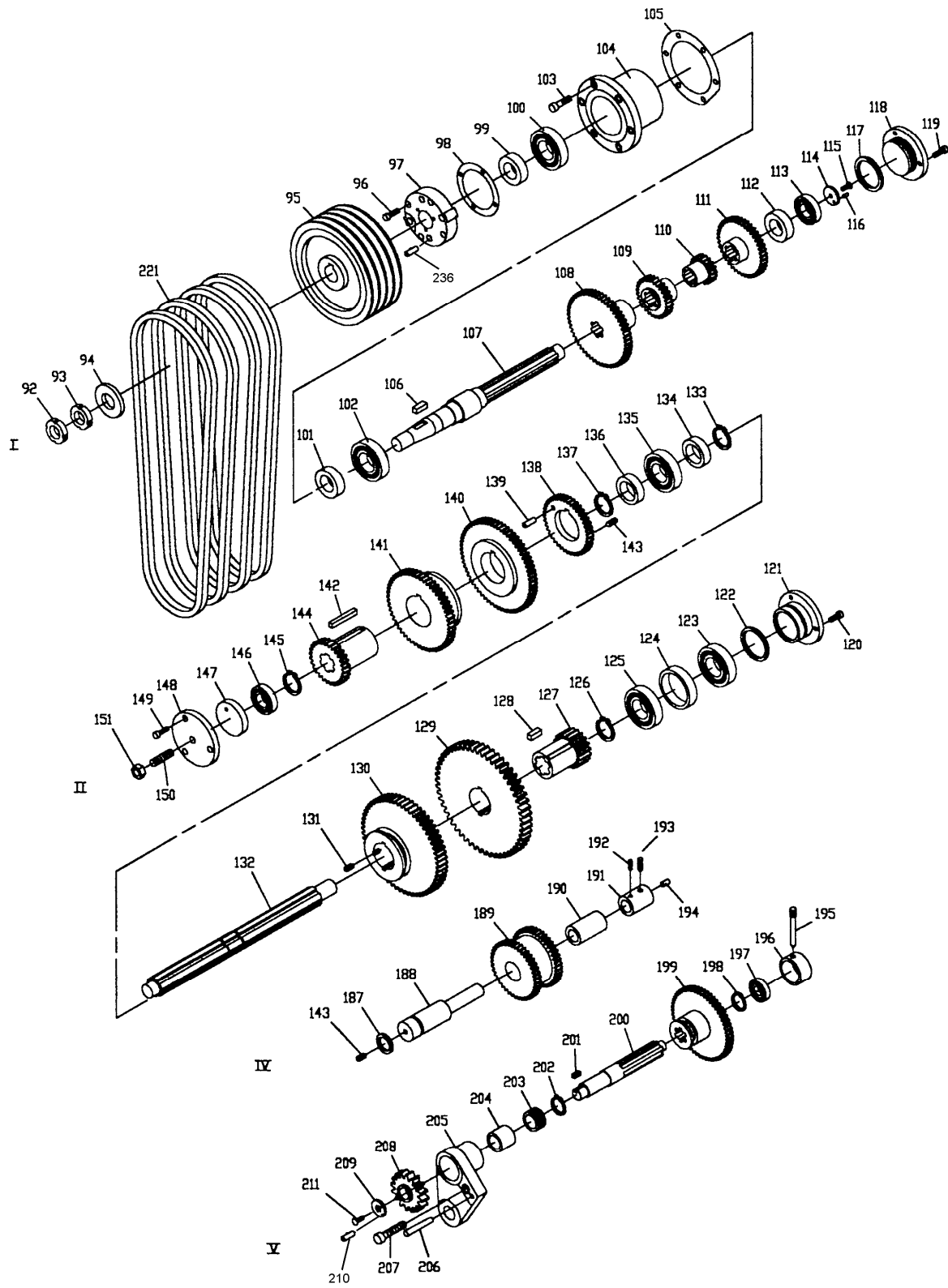


## Headstock Assembly I

Index No.	Part No.	Description	Size	Qty.
1	ZX-02306	Round Sign Plate		3
2	ZX-02122	Positioning Handle		1
3	ZX-H3	Flat End Set Screw	M10x12	1
4	ZX-H4	Spring	YI-1x8x25	1
5	ZX-H5	Steel Ball	8	1
6	ZX-H6	Countersunk Head Screw	M5x12	2
7	ZX-02743	Positioning Disc		1
8	ZX-02738	Shaft		1
9	ZX-H9	Taper Pin	5x55	1
10	ZX-H10	Woodruff Key	4x16	1
11	ZX-H11	Ring Seal	25x2.4	1
12	ZX-02116	Crank		1
13	TS-1523051	Set Screw	M6x16	1
14	ZX-H14	Pin	5n6x28	1
15	ZX-02302	Poking Block		1
16	ZX-02738C	Pin Block		1
17	TS-1523051	Set Screw	M6x16	1
18	ZX-02114	Crank		1
19	ZX-H11	Ring Seal	25x2.4	1
20	ZX-H20	Pin	5x30	1
21	ZX-02734	Shaft		1
22	ZX-H10	Woodruff Key	4x16	1
23	ZX-H5	Steel Ball	8	1
24	ZX-H4	Spring	YI-1x8x25	1
25	ZX-H3	Flat End Set Screw	M10x12	1
26	ZX-02733	Left Positioning Disc		1
27	ZX-H6	Countersunk Head Screw	M5x12	2
28	ZX-02113	Left Lever Support		1
29	ZX-02741	Handle		1
30	ZX-02732	Cover		1
31	ZX-H6	Countersunk Head Screw	M5x12	1
32	ZX-H6	Countersunk Head Screw	M5x12	1
33	ZX-02732	Cover		1
34	ZX-02119	Right Lever Support		1
35	ZX-H3	Flat End Set Screw	M10x12	1
36	ZX-H4	Spring	YI-1x8x25	1
37	ZX-H5	Steel Ball	8	1
38	ZX-02728	Right Positioning Disc		1
39	ZX-02741	Handle		1
40	ZX-H6	Countersunk Head Screw	M5x12	2
41	ZX-H10	Woodruff Key	4x16	1
42	ZX-02727	Shaft		1
43	ZX-H10	Half Circle Key	4x16	1
44	ZX-H11	Ring Seal	25x2.4	1
45	ZX-02730	Gear	1.5m36T	1
46	TS-1523051	Set Screw	M6x16	1
47	ZX-02738C	Pin Block		1
48	TS-1523051	Set Screw	M6x16	1
49	ZX-02111	Crank		1
50	ZX-H10	Woodruff Key	4x16	1
51	ZX-02731/1	Control Shaft		1
52	ZX-H10	Woodruff Key	4x16	1
53	ZX-H11	Ring Seal	25x2.4	1
54	ZX-H54	Taper End Set Screw	M6x16	1
55	ZX-02732/2	Gear	1.5m36T	1
56	ZX-H56	Ring Seal	40x3.1	1

Index No.	Part No.	Description	Size	Qty.
57	ZX-02110	Bushing		1
58	ZX-02729	Cover		1
59	ZX-H59	Pin	3n6x10	1
60	ZX-H6	Countersunk Head Screw	M5x12	1
61	ZX-H61	Countersunk Head Screw	M8x12	1
62	ZX-H62	Flat End Set Screw	M8x12	1
63	ZX-02115C	Bearing Support		1
64	ZX-H64	Ring Seal	40x3.1	1
65	ZX-02115	Left Fork		1
66	ZX-H66	Flat End Set Screw	M6x10	1
67	ZX-02120A/2	Bushing		1
68	ZX-H68	Taper Pin	6x35	1
69	ZX-02736	Control Shaft		1
70	ZX-02112	Right Fork		1
71	ZX-H66	Flat End Set Screw	M6x10	1
72	ZX-02120A/2	Bushing		1
73	ZX-H73	Ring Seal	30x3.1	1
74	ZX-02735	Blocking Piece		1
75	ZX-H61	Countersunk Head Screw	M8x12	1
76	ZX-02744	Adjusting Screw		1
77	ZX-H77	Taper Pin	8x40	1
78	ZX-H77	Taper Pin	8x40	1
79	ZX-92124	Adjusting Block		1
80	ZX-H80	Hex Cap Bolt	M12x50	1
81	ZX-02744	Adjusting Screw		1
82	ZX-02736C	Positioning Pin		1
83	ZX-H83	Oil Sight Glass		1
84	ZX-H84	Washer	A16	2
85	ZX-H85	Hex Socket Cap Screw	M16x50	2
86	ZX-02301A	Label (for 1440ZX)		1
	ZX-02301B	Label (for 1460ZX)		1
	ZX-02301C	Label (for 1640ZX)		1
	ZX-02301D	Label (for 1660ZX)		1
	ZX-02301E	Label (for 1840ZX)		1
	ZX-02301F	Label (for 1860ZX)		1
	ZX-02301G	Label (for 1880ZX)		1
	GH2280ZX-02301	Label (for 2280ZX)		1
87	TS-1504071	Hex Socket Cap Screw	M8x35	4
88	ZX-H88	Countersunk Head Screw	M16x25	1
89	ZX-02117	Top Cover		1
90	ZX-H90	Hex Cap Bolt		2
91	ZX-H91	Washer	A16	2
92	ZX-02505	Paper Gasket		1
93	TS-1531012	Slotted Pan Head Screw	M3x6	7
94	ZX-H94N	Pin	4n6x15	2

# Headstock Assembly II

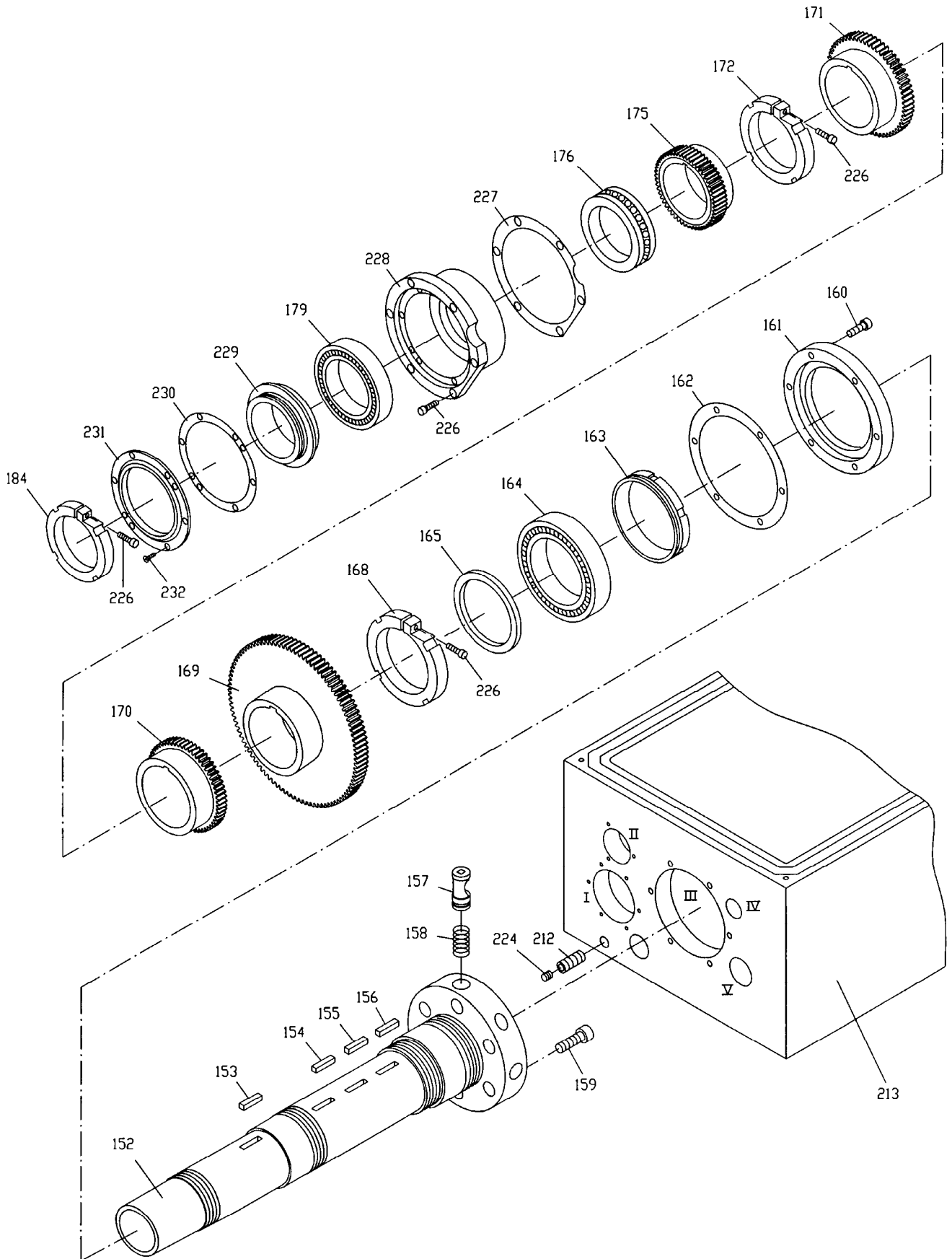


## Headstock Assembly II

Index No.	Part No.	Description	Size	Qty.
95.....	ZX-02107.....	Pulley.....		1
96.....	TS-1503061.....	Socket Cap Screw.....	M6x25.....	4
97.....	ZX-02106.....	Bearing Cover.....		1
98.....	ZX-02506.....	Gasket.....		1
99.....	ZX-H99.....	Ring Seal.....	32x52.....	1
100.....	BB-6207/P5.....	Ball Bearing.....	35x72x17.....	1
101.....	ZX-H102.....	Sleeve.....	30x10.....	1
102.....	BB-6207/P5.....	Ball Bearing.....	35x72x17.....	1
103.....	TS-1504051.....	Socket Cap Screw.....	M8x25.....	6
104.....	ZX-02105.....	Bearing Support.....		1
105.....	ZX-02502.....	Gasket.....		1
106.....	ZX-H106.....	Flat Key.....	10x8x35.....	1
107.....	ZX-02709.....	Shaft.....		1
108.....	ZX-02754X.....	Gear (for 14" models).....	2.5m52T.....	1
.....	ZX-02754X/6P.....	Gear (for 16"/18"/22" models).....	2.5m61T.....	1
109.....	ZX-02753X.....	Gear (for 14" models).....	2.5m28T.....	1
.....	ZX-02753X/6P.....	Gear (for 16"/18"/22" models).....	2.5m32T.....	1
110.....	ZX-02752X.....	Gear.....	2.5m18T.....	1
111.....	ZX-02751X.....	Gear (for 14" models).....	2.5m41T.....	1
.....	ZX-02751X/6P.....	Gear (for 16"/18"/22" models).....	2.5m47T.....	1
112.....	ZX-H112.....	Sleeve.....		1
113.....	BB6305/P5.....	Ball Bearing.....	25x62x17.....	1
114.....	ZX-H114.....	Shaft End Lock Ring.....	32.....	1
115.....	ZX-H115.....	Countersunk Head Screw.....	M6x20.....	1
116.....	ZX-H59.....	Pin.....	3n6x10.....	1
117.....	ZX-H117.....	Ring Seal.....	60x3.1.....	1
118.....	ZX-02104.....	Blocking Flange.....		1
119.....	TS-1503041.....	Socket Cap Screw.....	M6x15.....	3
120.....	TS-1503041.....	Socket Cap Screw.....	M6x15.....	3
121.....	ZX-02103.....	Blocking Flange.....		1
122.....	ZX-H117.....	Ring Seal.....	60x3.1.....	1
123.....	BB-6305/P5.....	Ball Bearing.....	25x62x17.....	1
124.....	ZX-H124.....	Sleeve.....	62x6.....	1
125.....	BB-6305/P5.....	Ball Bearing.....	25x62x17.....	1
126.....	ZX-H126.....	Circle Clip For Shaft.....	35.....	1
127.....	ZX-02705.....	Gear.....	3m19T.....	1
128.....	ZX-H128.....	Flat Key.....	8x7x50.....	2
129.....	ZX-02706.....	Gear.....	3m67T.....	1
130.....	ZX-02707.....	Gear.....	3m59T.....	1
131.....	ZX-H62.....	Flat End Set Screw.....	M8x12.....	1
132.....	ZX-02708.....	Shaft.....		1
133.....	ZX-H133.....	C-Clip.....	35.....	1
134.....	ZX-H134.....	Sleeve.....	35x8.....	1
135.....	BB-6007/P5.....	Ball Bearing.....	35x62x14.....	1
136.....	ZX-H134.....	Sleeve.....	35x8.....	1
137.....	ZX-H133.....	C-Clip.....	35.....	1
138.....	ZX-02756.....	Gear (for 14" models).....	2.5m42T.....	1
.....	ZX-02756/6P.....	Gear (for 16"/18"/22" models).....	2.5m36T.....	1
139.....	ZX-H139.....	Pin.....	8n6x25.....	1
140.....	ZX-02757.....	Gear (for 14" models).....	2.5m65T.....	1
.....	ZX-02757/6P.....	Gear (for 16"/18"/22" models).....	2.5m65T.....	1
141.....	ZX-02758.....	Gear (for 14" models).....	2.5m55T.....	1
.....	ZX-02758/6P.....	Gear (for 16"/18"/22" models).....	2.5m51T.....	1
142.....	ZX-H142.....	Flat Key.....	10x6x60.....	2

Index No.	Part No.	Description	Size	Qty.
143	ZX-H143	Flat Head Set Screw	M8x12	2
144	ZX-02755X	Gear (for 14" models)	2.5m31T	1
	ZX-02755X/6P	Gear (for 16"/18"/22" models)	2.5m22T	1
145	ZX-H133	C-Clip	35	1
146	BB-6305	Ball Bearing	25x62x17	1
147	ZX-H147	Pushing Disc	62	1
148	ZX-02109C	Cover		1
149	TS-1503041	Socket Cap Screw	M6x15	3
150	ZX-H150	Set Screw	M12x65	1
151	ZX-H151	Hex Nut	M12	1
187	ZX-H187	Ring Seal	35x3.1	1
188	ZX-02714	Shaft		1
189	ZX-02716	Double Gear	2m48T	1
190	ZX-02303	Copper Sleeve		1
191	ZX-02734C	Positioning Sleeve		1
192	TS-1523031	Set Screw	M6x10	1
193	TS-1524041	Set Screw	M8x15	1
194	ZX-02733C	Blocking Piece		1
195	ZX-02718	Taper End Set Screw		1
196	ZX-02114C	Sleeve		1
197	BB-6203	Ball Bearing	17x40x12	1
198	ZX-H198	C-Clip	28	1
199	ZX-02717	Gear	2m65T	1
200	ZX-02715	Shaft		1
201	ZX-H201	Flat Key	5x5x1	1
202	ZX-H198	C-Clip	28	1
203	ZX-02722C	Sleeve		1
204	ZX-02301	Oil Bushing		1
205	ZX-08106A	Bracket (for Shaft V, Vb) (for 14"/16" models)		1
	ZX-08106B	Bracket (for Shaft V, Vb) (for 18" models)		1
	GH2280ZX-08106	Bracket (for Shaft V, Vb, Vc) (for 22" model)		1
206	ZX-H77	Taper Pin	8x40	1
207	TS-1505031	Hex Socket Cap Screw	M10x25	1
208	TNMP-08706A(N)	Gear (for 14"/16"/22" models)	3.5m16T	1
	TNMP-08706B(N)	Gear (for 18" models)	4m16T	1
209	ZX-02724C	Washer		1
210	ZX-H59	Pin	3n6x10	1
211	ZX-H211	Countersunk Head Screw	M5x16	1
221	VB-A75	V-Belt (for 14" models)	A-75	4
	VB-A76	V-Belt (for 16" models)	A-76	4
	VB-A77	V-Belt (for 18" models)	A-77	4
	VB-A85	V-Belt (for 22" model)	A-85	4
233	ZX-02506	Paper Gasket		2
234	ZX-H234	Set Screw	M8x6	2
235	ZX-02743N	Clamping Round Nut		1
236	ZX-H236	Pin	8x30	2

# Headstock Assembly III

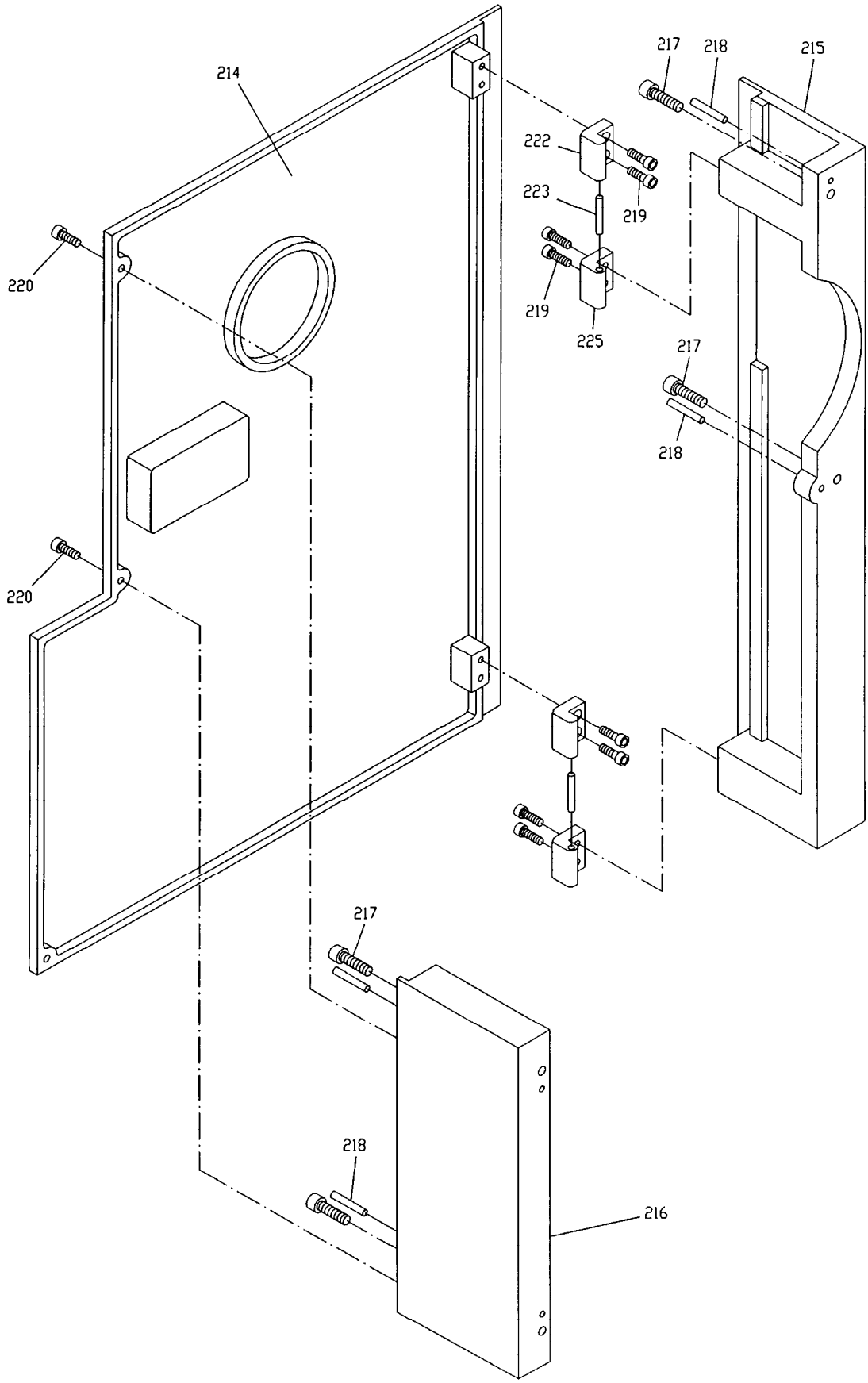


### Headstock Assembly III

Index No.	Part No.	Description	Size	Qty.
152	ZX-02704	Spindle		1
153	ZX-H153	Flat Key	10x8x40	1
154	ZX-H154	Flat Key	10x8x50	1
155	ZX-H155	Flat Key	12x8x50	1
156	ZX-H156	Flat Key	14x9x50	1
157	ZX-02701	Cam Lock		6
158	ZX-H158	Spring	1x8x25	6
159	ZX-02703	Cam Positioning Screw		6
160	TS-1505041	Hex Socket Cap Screw	M10x28	6
161	ZX-02102	Bearing Front Cover		1
162	ZX-02501	Gasket		1
163	ZX-02702	Oil Splashing Ring		1
164	NN3024/P5	Taper Roller Bearing	120x180x46	1
165	ZX-02726	Lining		1
168	ZX-02725A	Round Nut w/Screw		1
169	ZX-02723	Gear	3m98T	1
170	ZX-02722	Gear	3m50T	1
171	ZX-02721	Gear	3m58T	1
172	ZX-02720A	Round Nut w/Screw		1
175	ZX-02710	Gear	2m65T	1
176	51120/P5	Thrust Bearing	100x135x25	1
179	BB-7020AC/P5	Angular Bearing	100x150x24	1
184	ZX-02713A	Round Nut w/Screw		1
212	ZX-H212	Drain Plug (14" models, serial # 001204ZX258 and lower)		1
	ZX-H212	Drain Plug (16" models, serial #010312ZX293 and lower, also includes serial # 010319ZX298 and 299)		1
	ZX-H212	Drain Plug (18" models, serial # 010416ZX313 and lower)		1
	ZX-H212A	Drain Plug (14" models, serial # 010105ZX263 and higher)		1
	ZX-H212A	Drain Plug (16" models, serial #010319ZX294 and higher, except for serial # 010319ZX298 and 299)		1
	ZX-H212A	Drain Plug (18" models, serial # 010514ZX323 and higher)		1
	ZX-H212A	Drain Plug (22" model)	Z3/8"	1
213	ZX-02101A	Headstock Casting (14" models, serial # 001204ZX258 and lower)		1
	ZX-02101AN	Headstock Casting (14" models, serial # 010105ZX263 and higher)		1
	ZX-01201B	Headstock Casting (16" models, serial # 010312ZX293 and lower, also includes serial # 110319ZX298 and 299)		1
	ZX-02101BN	Headstock Casting (16" models, serial # 010319ZX294 and higher, except for serial # 010319ZX298 and 299)		1
	ZX-02101C	Headstock Casting (18" models, serial # 010416ZX313 and lower)		1
	ZX-02101CN	Headstock Casting (18" models, serial # 010514ZX323 and higher)		1
	GH2280ZX-02101	Headstock Casting (22" model)		1
224	ZX-G38-3A	Screw		1
226	ZX-H226	Hex Socket Cap Screw	M8x28	9
227	ZX-02502F	Gasket		1
228	ZX-02108F	Bearing Support		1
229	ZX-02711F	Sleeve		1
230	ZX-02510F	Gasket		1
231	ZX-02761F	Bearing Back Cover		1
232	ZX-H232	Screw	M5x10	6



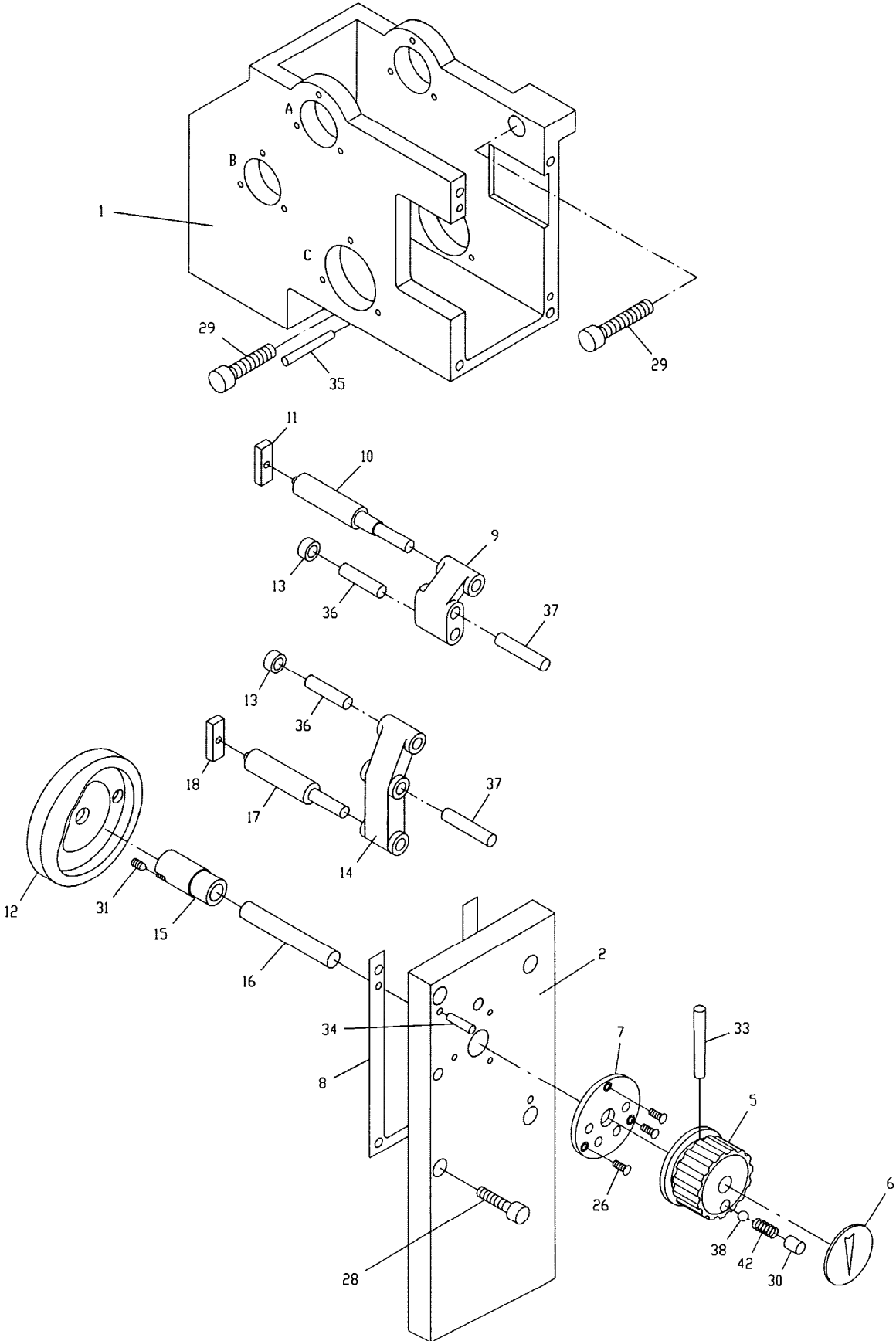
# Headstock Assembly IV



## Headstock Assembly IV

Index No.	Part No.	Description	Size	Qty.
214.....	ZX-08302A .....	Back Cover (for 14" models) .....		1
	ZX-08302B .....	Back Cover (for 16" models) .....		1
	ZX-08302C .....	Back Cover (for 18" models) .....		1
	GH2280ZX-08301 .....	Back Cover (for 22" model).....		1
215.....	ZX-08114A.....	Rear Side Plate (for 14" models).....		1
	ZX-08114B.....	Rear Side Plate (for 16" models).....		1
	ZX-08114C.....	Rear Side Plate (for 18" models).....		1
	GH2280ZX-08114 .....	Rear Side Plate (for 22" model).....		1
216.....	ZX-08113A.....	Front Side Plate (for 14" models) .....		1
	ZX-08113B.....	Front Side Plate (for 16" models) .....		1
	ZX-08113C.....	Front Side Plate (for 18" models) .....		1
	GH2280ZX-08113 .....	Front Side Plate (for 22" model).....		1
217.....	TS-1504051 .....	Socket Cap Screw .....	M8x25 .....	4
218.....	ZX-H218 .....	Taper Pin.....	6x25 .....	4
219.....	TS-1503051 .....	Socket Cap Screw .....	M6x20 .....	8
220.....	TS-1514021 .....	Socket Cap Screw .....	M6x15 .....	3
222.....	ZX-08712.....	Upper Hinge .....		2
223.....	ZX-H223 .....	Pin.....	6n6x40 .....	2
225.....	ZX-08711 .....	Lower Hinge .....		2

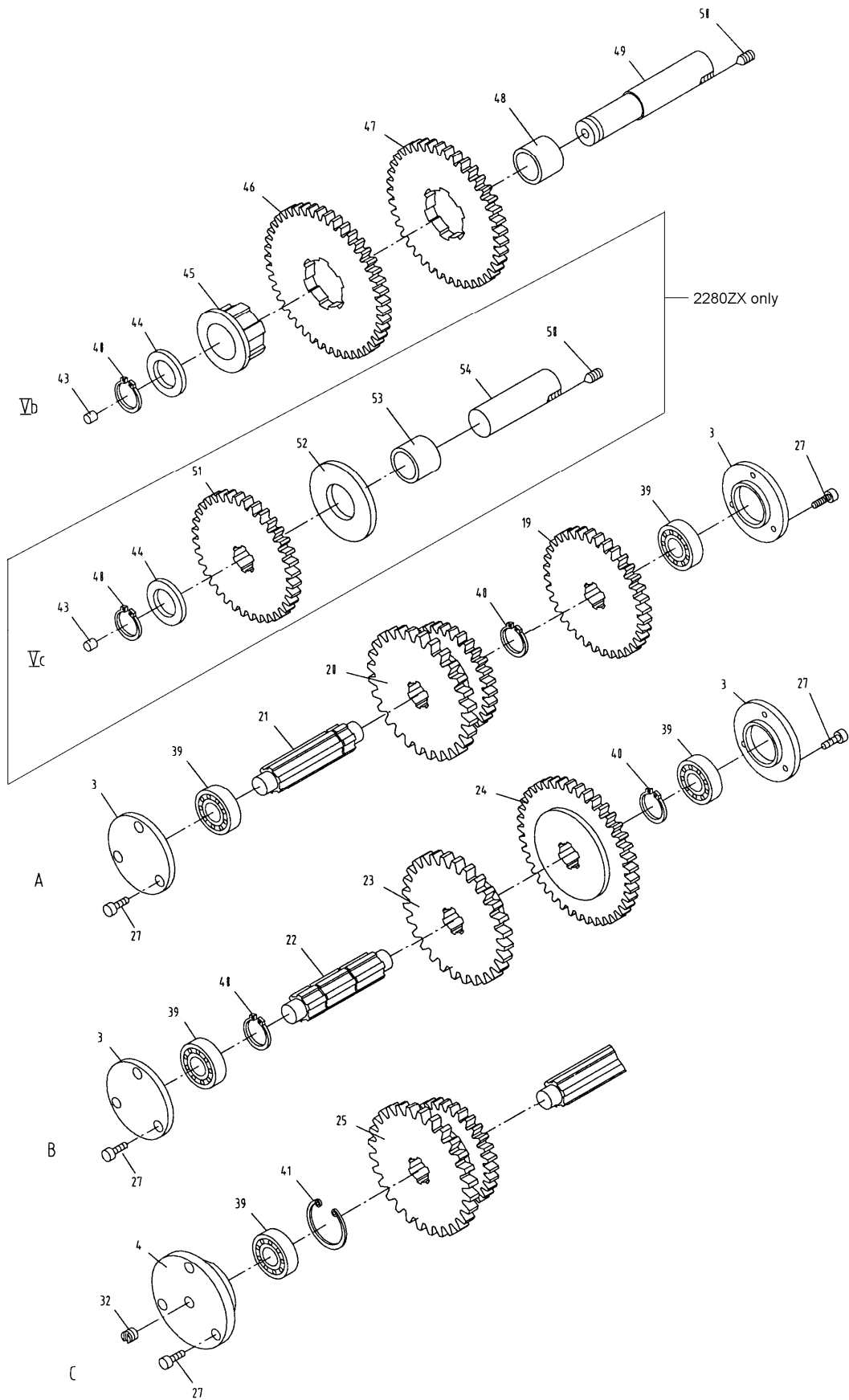
# Change Gear Box Assembly I



## Change Gear Box Assembly I

Index No.	Part No.	Description	Size	Qty.
1.....	ZX-08101.....	Change Gear Box Casting.....		1
2.....	ZX-08108.....	Front Cover.....		1
5.....	ZX-05104C.....	Hand Wheel.....		1
6.....	ZX-05301C.....	Sign Plate.....		1
7.....	ZX-08708.....	Positioning Disc.....		1
8.....	ZX-08505.....	Gasket.....		1
9.....	ZX-08111.....	Crank.....		1
10.....	ZX-08705.....	Connecting Rod.....		1
11.....	ZX-08304.....	Sliding Block.....		1
12.....	ZX-05103C.....	Cam.....		1
13.....	ZX-05702C.....	Roller.....		2
14.....	ZX-08109.....	Crank.....		1
15.....	ZX-08110.....	Bushing.....		1
16.....	ZX-08704.....	Rotating Shaft.....		1
17.....	ZX-08703.....	Connecting Rod.....		1
18.....	ZX-08304.....	Sliding Block.....		1
26.....	ZX-C26.....	Cross Head Screw.....	M4x12.....	3
28.....	TS-1504051.....	Socket Cap Screw.....	M8x25.....	4
29.....	TS-1516051.....	Hex Socket Cap Screw.....	M10x40.....	2
30.....	TS-1525021.....	Set Screw.....	M10x12.....	1
31.....	ZX-C31.....	Flat Head Set Screw.....	M6x8.....	1
33.....	ZX-C33.....	Taper Pin.....	4x45.....	1
34.....	ZX-C34.....	Taper Pin.....	6x30.....	2
35.....	ZX-C35.....	Taper Pin.....	6x50.....	1
36.....	ZX-C36.....	Pin.....	10m6x40.....	2
37.....	ZX-C37.....	Pin.....	10m6x50.....	2
38.....	ZX-H5.....	Steel Ball.....	8.....	1
42.....	ZX-C42.....	Spring.....	1x8x30.....	1

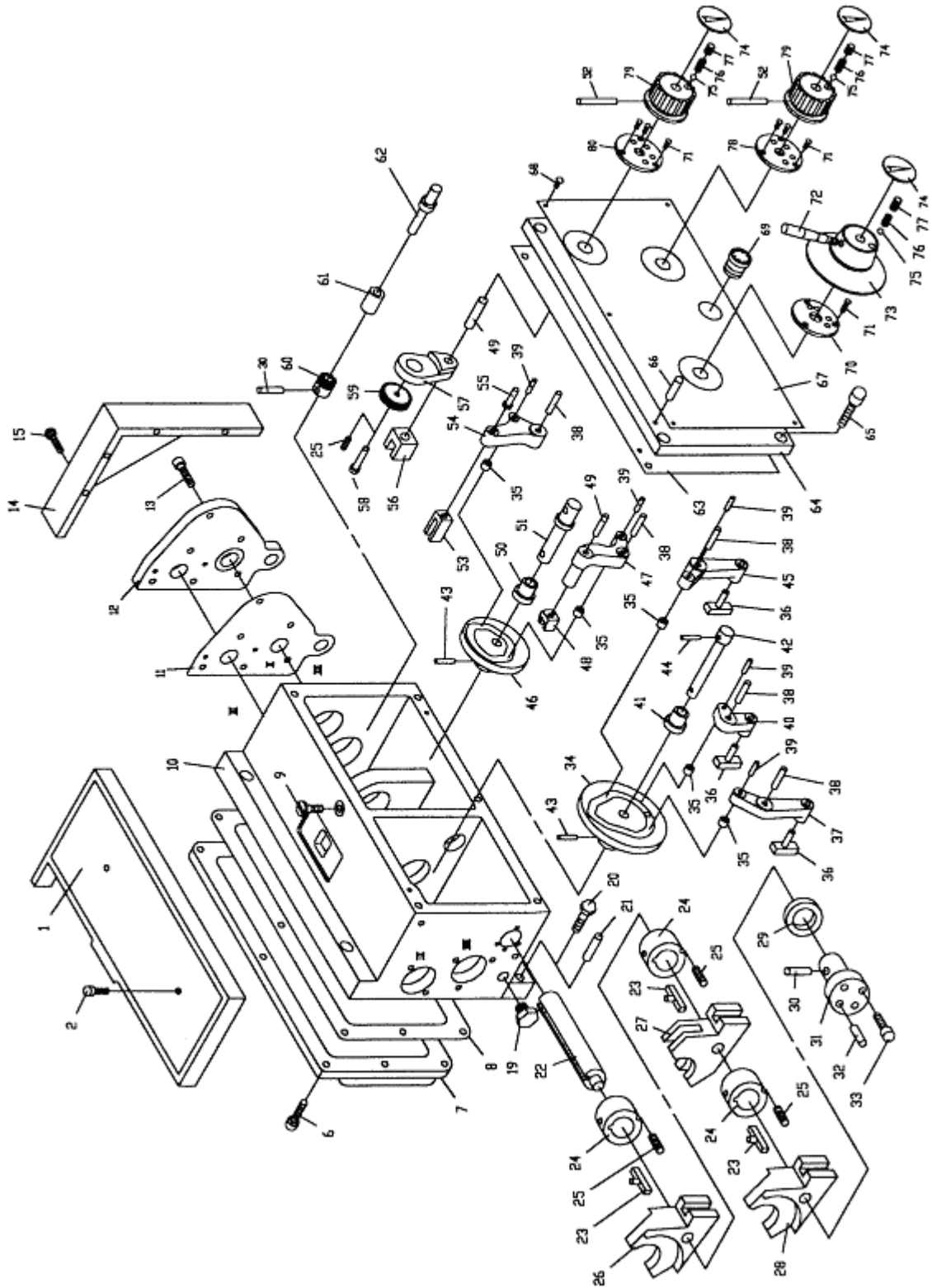
# Change Gear Box Assembly II



## Change Gear Box Assembly II

Index No.	Part No.	Description	Size	Qty.
3.....	ZX-08104.....	End Cover.....		4
4.....	ZX-08103.....	Bearing Support.....		1
19.....	ZX-08107.....	Gear.....	3m36T.....	1
20.....	ZX-08105.....	Double Gear.....	3.75m28T/3m30T.....	1
21.....	ZX-08702.....	Shaft.....		1
22.....	ZX-08701.....	Shaft.....		1
23.....	ZX-08710.....	Gear.....	3.75m27T.....	1
24.....	ZX-08709.....	Gear.....	3m41T.....	1
25.....	ZX-08102.....	Double Gear.....	3.75m30T/3m29T.....	1
27.....	ZX-C27.....	Slotted Cheese Head Screw.....	M5x12.....	15
32.....	ZX-C32.....	Flat Head Set Screw.....	M10x12.....	1
39.....	BB-6203ZZ/P6.....	Ball Bearing.....	17x40x12.....	5
40.....	ZX-C40.....	C-Clip.....	25.....	4(5 for 22")
41.....	ZX-C41.....	C-Clip.....	40.....	1
43.....	ZX-C43.....	Oil Cup.....	8.....	1 (2 for 22")
44.....	TNMP08108.....	Washer.....		1 (2 for 22")
45.....	TNMP08102.....	Splined Sleeve.....		1
46.....	TNMP08504.....	Gear.....	3m41T.....	1
47.....	TNMP08501A.....	Gear (for 14"/16"/22" models).....	3.5m36T.....	1
.....	TNMP08501B.....	Gear (for 18" models).....	4m36T.....	1
48.....	ZX-05502C.....	Oil Bushing.....		1
49.....	ZX-08707.....	Shaft Vb.....		1
50.....	ZX-C50.....	Flat Head Set Screw.....	M8x10.....	1 (2 for 22")
51.....	GH2280ZX-08112.....	Gear (for 22" model).....	3m30T.....	1
52.....	GH2280ZX-1052.....	Washer.....		1
53.....	GH2280ZX-1053.....	Oil Bushing.....		1
54.....	GH2280ZX-08707.....	Axis Vc (for 22" model).....		1

# Quick Change Gear Box I



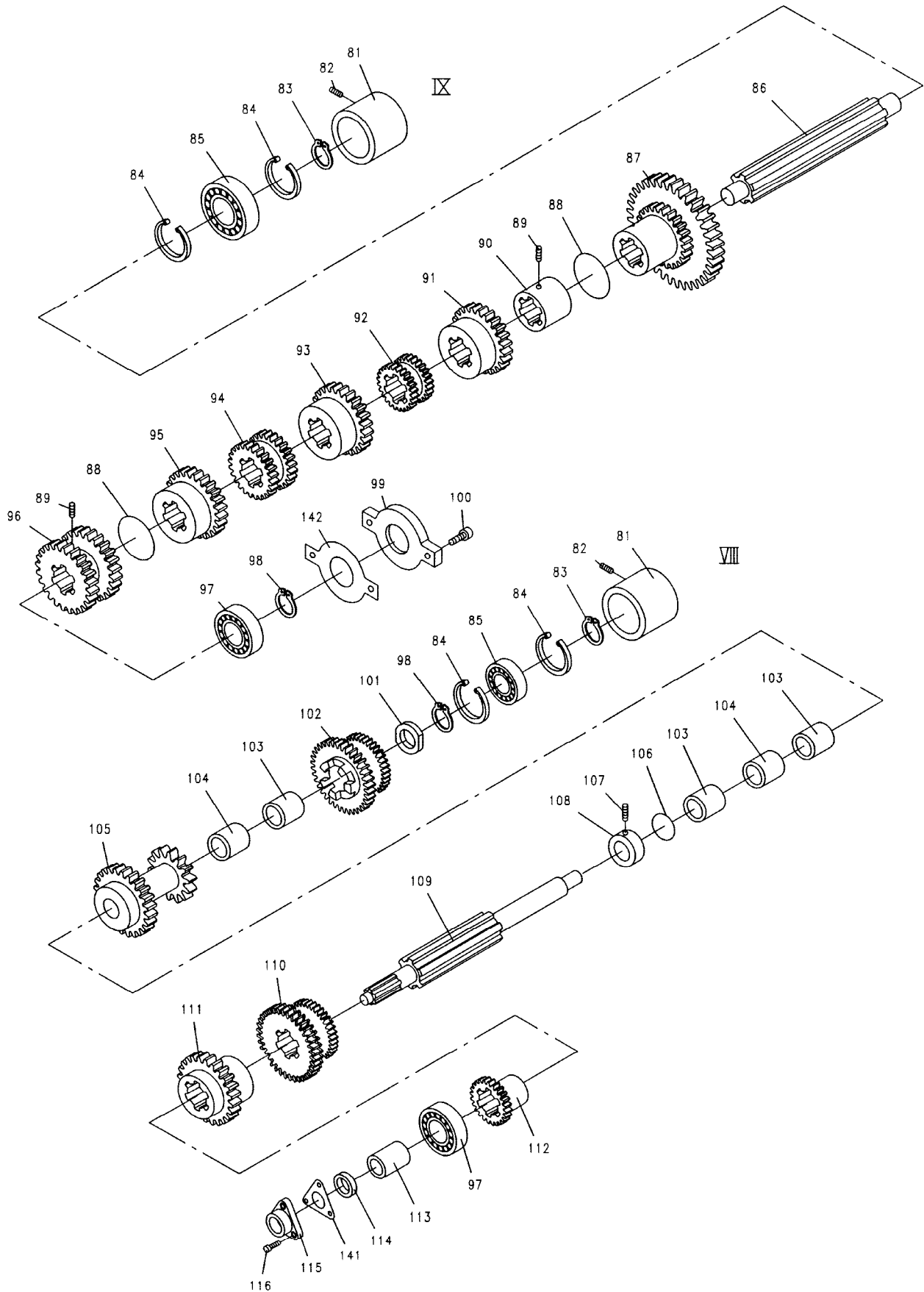
## Quick Change Gear Box I

Index No.	Part No.	Description	Size	Qty.
1.....	ZX-05153A	Upper Cover.....		1
2.....	TS-1503071	Hex Socket Cap Screw.....	M6x30	2
6.....	TS-1504031	Hex Socket Cap Screw.....	M8x16	10
7.....	ZX-05109	Rear Cover.....		1
8.....	ZX-05502	Gasket.....		1
9.....	ZX-Q09	Countersunk Head Screw.....	M10x18	1
10.....	ZX-05101	Feedbox Casting.....		1
11.....	ZX-05501	Gasket.....		1
12.....	ZX-05108	Flange.....		1
13.....	TS-1504031	Hex Socket Cap Screw.....	M8x16	6
14.....	ZX-05151	Extending Plate.....		1
15.....	TS-1503131	Hex Socket Cap Screw.....	M6x60	4
19.....	ZX-Q19	Hex Cap Bolt.....	M10x1	1
20.....	TS-1491061	Hex Cap Bolt.....	M10x40	2
21.....	ZX-H68	Taper Pin.....	6x35	2
22.....	ZX-05738	Control Shaft.....		1
23.....	ZX-05739	Sliding Key.....		3
24.....	ZX-05128	Sliding Sleeve.....		3
25.....	ZX-Q25	Flat Head Set Screw.....	M5x8	4
26.....	ZX-05125	Right Fork.....		1
27.....	ZX-05126	Middle Fork.....		1
28.....	ZX-05127	Left Fork.....		1
29.....	ZX-Q29	Ring Seal.....	32x3.1	1
30.....	ZX-Q30	Taper Pin.....	4x25	2
31.....	ZX-05129	Cover.....		1
32.....	ZX-Q32	Pin.....	5n6x15	1
33.....	ZX-Q33	Cheese Head Screw.....	M5x16	3
34.....	ZX-05122	Cam.....		1
35.....	ZX-05728	Rolling Sleeve.....		5
36.....	ZX-05729	Poking Key.....		3
37.....	ZX-05123	Crank.....		1
38.....	ZX-Q38	Pin.....	8n6x32	5
39.....	ZX-Q39	Pin.....	6n6x20	5
40.....	ZX-05124	Crank.....		1
41.....	ZX-05111	Sleeve.....		1
42.....	ZX-05726	Lever Shaft.....		1
43.....	ZX-Q43	Taper Pin.....	4x32	2
44.....	ZX-Q44	Taper Pin.....	4x65	1
45.....	ZX-05121	Crank.....		1
46.....	ZX-05118	Cam.....		1
47.....	ZX-05120	Crank.....		1
48.....	ZX-05116	Fork.....		1
49.....	ZX-Q49	Pin.....	8n6x18	2
50.....	ZX-05117	Sleeve.....		1
51.....	ZX-05737	Lever Shaft.....		1
52.....	ZX-C33	Taper Pin.....	4x45	2
53.....	ZX-05115	Fork.....		1
54.....	ZX-05119	Crank.....		1
55.....	ZX-05735	Pin.....		1
56.....	ZX-05112	Fork.....		1
57.....	ZX-05113	Crank.....		1
58.....	ZX-05730	Small Shaft.....		1
59.....	ZX-05731	Big Gear.....	1m44T	1
60.....	ZX-05732	Small Gear.....	1m22T	1



Index No.	Part No.	Description	Size	Qty.
61	ZX-05114	Sleeve		1
62	ZX-05734	Lever Shaft		1
63	ZX-05503	Gasket		1
64	ZX-05110	Front Cover		1
65	TS-1505021	Hex Socket Cap Screw	M10x20	5
66	ZX-Q66	Taper Pin	5x35	6
67	ZX-05303A	Sign Plate		1
68	ZX-Q68	Cross Head Screw	M3x6	7
69	ZX-Q69	Oil Sight Glass	20	1
70	ZX-05727	Positioning Disc		1
71	ZX-Q71	Countersunk Head Screw	M4x12	9
72	ZX-05740	Lever		1
73	ZX-05130A	Lever Support		1
74	ZX-05301	Sign Disc		3
75	ZX-H5	Steel Ball	8	3
76	ZX-Q76	Compression Spring	YZ-1x8x25	3
77	ZX-H3	Flat End Set Screw	M10x12	3
78	ZX-05736	Positioning Disc		1
79	ZX-05140	Hand Wheel		2
80	ZX-05733	Positioning Disc		1

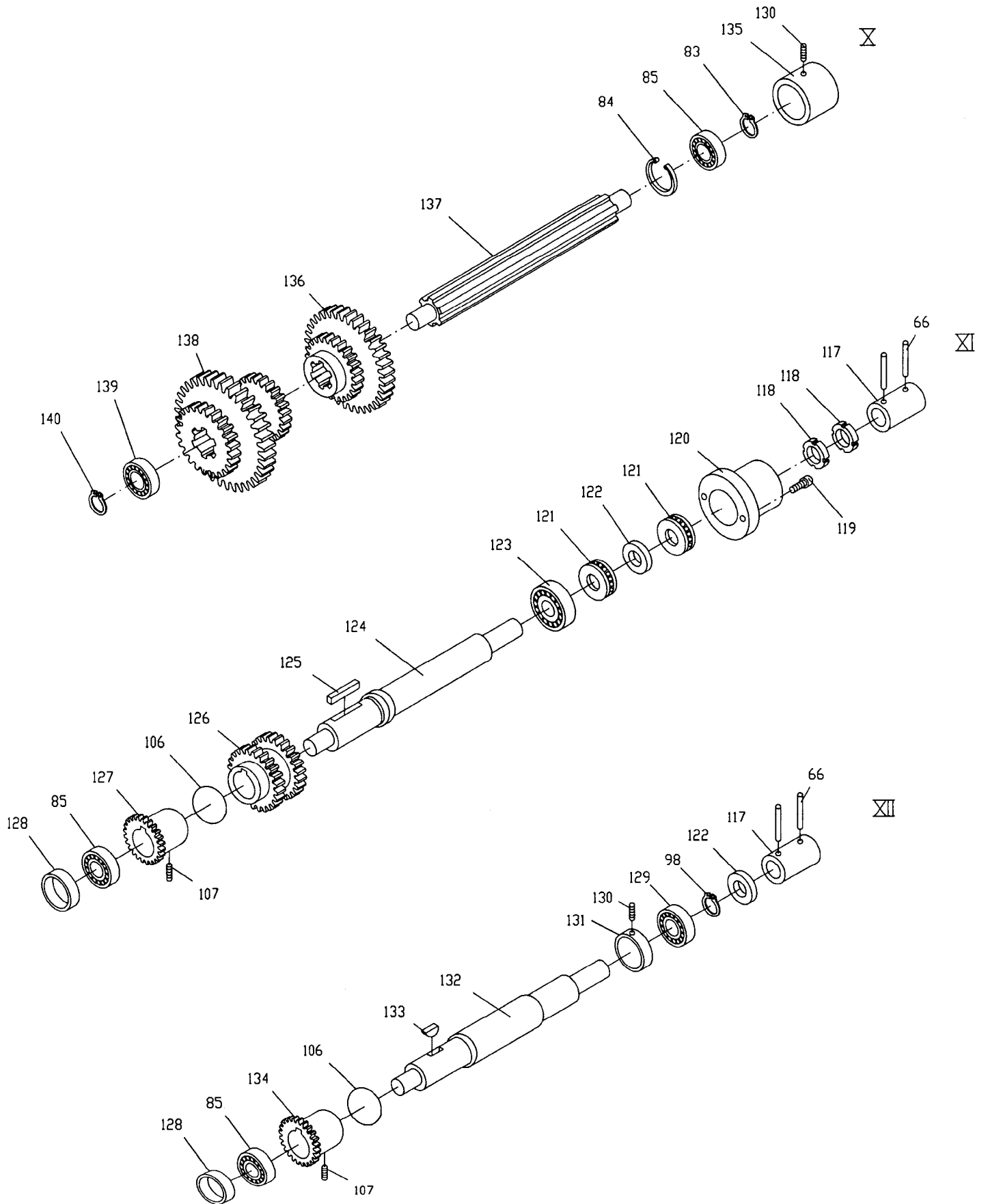
# Quick Change Gear Box II



## Quick Change Gear Box II

Index No.	Part No.	Description	Size	Qty.
81	ZX-05104	Middle Bearing Support		2
82	ZX-Q82	Taper End Set Screw	M10x16	2
83	ZX-B23	C-Clip	20	3
84	ZX-Q84	C-Clip	42	5
85	BB-6004	Single Row Radial Ball Bearing	20x42x12	5
86	ZX-05721	Shaft		1
87	ZX-05722	Double Gear	2m26T/2m52T	1
88	ZX-Q88	Iron Wire	1x190	2
89	TS-1524051	Set Screw	M8x20	2
90	ZX-05720	Positioning Sleeve		1
91	ZX-05719	Gear	2.25m28T	1
92	ZX-05718	Double Gear	2m26T/2m28T	1
93	ZX-05717	Gear	3.5m20T	1
94	ZX-05716	Double Gear	3.5m18T/3.5m19T	1
95	ZX-05715	Gear	3.25m22T	1
96	ZX-05714	Double Gear	3.25m24T/3.25m23T	1
97	BB-6205	Single Row Radial Ball Bearing	25x52x15	2
98	ZX-C40	C-Clip	25	3
99	ZX-05125	Shaft End Cover		1
100	TS-1504041	Hex Socket Cap Screw	M8x18	2
101	ZX-05704	Spacer		1
102	ZX-05705	Double Gear	2m52T/2m26T	1
103	ZX-05502C	Oil Bushing		3
104	ZX-05105	Sleeve		2
105	ZX-05707	Double Gear	2m39T/2m26T	1
106	ZX-Q106	Iron Wire	1x160	3
107	TS-1524031	Set Screw	M8x12	3
108	ZX-05714C	Fixed Bushing		1
109	ZX-05710	Shaft		1
110	ZX-05709	Double Gear	2m48T/2.25m42T	1
111	ZX-05711	Sliding Gear	3.5m24T	1
112	ZX-05712	Sliding Gear	3.25m24T	1
113	ZX-05713	Sleeve		1
114	ZX-G51-1	Spacer	32	1
115	ZX-05106	Bearing Support		1
116	TS-1504051	Hex Socket Cap Screw	M8x25	3
141	ZX-05504	Gasket		1
142	ZX-05505	Gasket		1

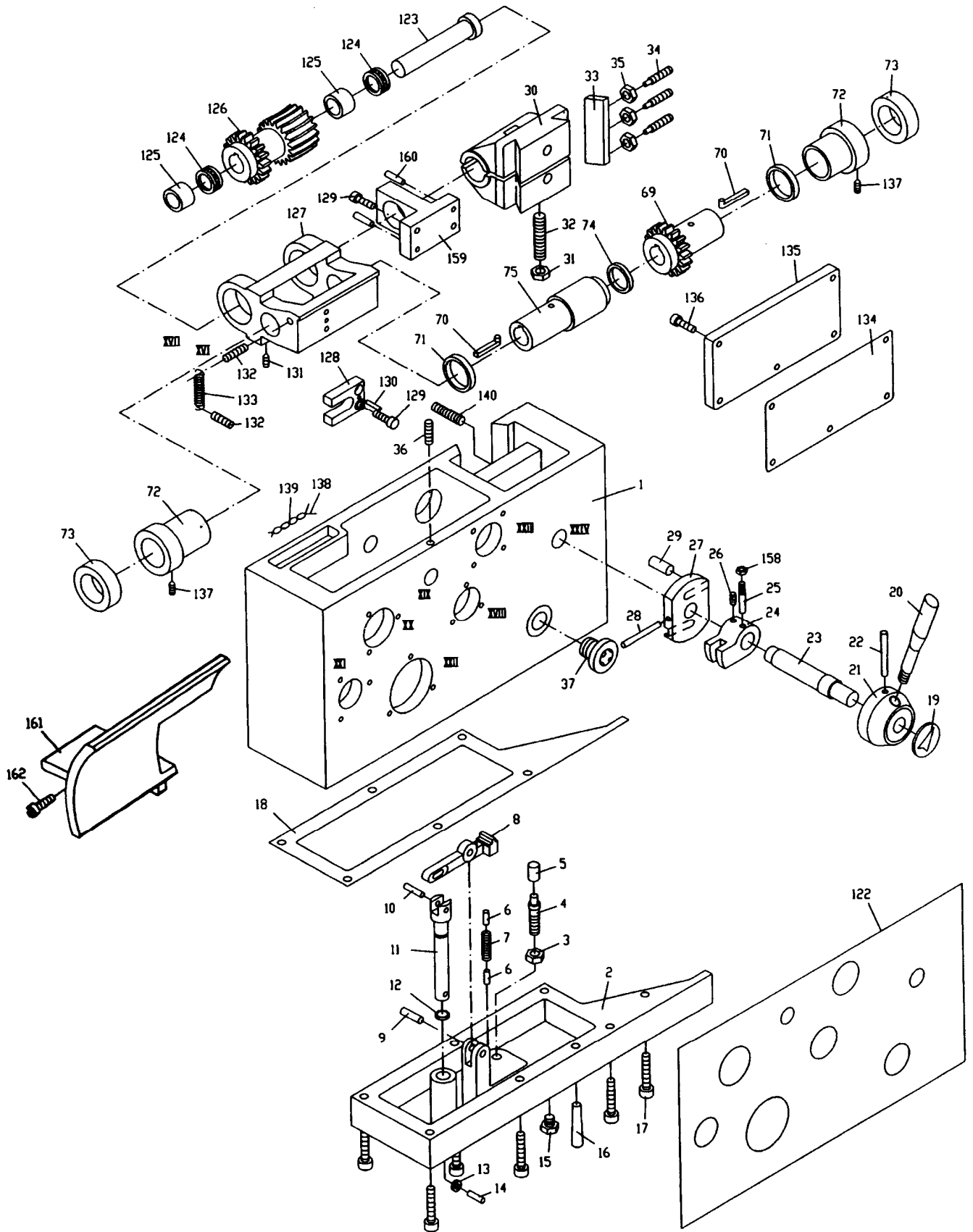
# Quick Change Gear Box III



### Quick Change Gear Box III

Index No.	Part No.	Description	Size	Qty.
66	ZX-Q66	Taper Pin	5x35	6
83	ZX-Q83	C-Clip	20	3
84	ZX-Q84	C-Clip	42	5
85	BB104	Single Row Radial Ball Bearing	20x42x12	5
98	ZX-Q98	C-Clip	25	3
106	ZX-Q106	Iron Wire	1x160	3
107	TS-1524031	Set Screw	M8x12	3
117	ZX-05113C	Shaft Coupling		2
118	ZX-Q118	Round Nut	M24x1.5	2
119	TS-1503021	Hex Socket Cap Screw	M6x10	2
120	ZX-05114C	Cover		1
121	BB-51105	Thrust Bearing	25x42x11	2
122	ZX-Q122	Spacer	25	2
123	BB-6305	Ball Bearing	25x62x17	1
124	ZX-05725	Shaft		1
125	ZX-Q125	Key	8x7x50	1
126	ZX-05724	Double Gear	2.25m35T/2.25m36T	1
127	ZX-05723	Gear	2.5m36T	1
128	ZX-05107	Sleeve		2
129	BB-6005	Ball Bearing	25x47x12	1
130	TS-1525021	Set Screw	M10x12	2
131	ZX-05103	Bearing Support		1
132	ZX-05701	Shaft		1
133	ZX-Q133	Half Circle Key	6x22	1
134	ZX-05703	Gear	2.5m36T	1
135	ZX-05102	Bearing Support		1
136	ZX-05702	Double Gear	2.5m24T/2.25m35T	1
137	ZX-05708	Shaft		1
138	ZX-05706	Triple Gear	2m39T/2m52T/2m26T	1
139	BB-6203	Ball Bearing	17x40x12	1
140	ZX-Q140	C-Clip	17	1

# Apron Assembly I



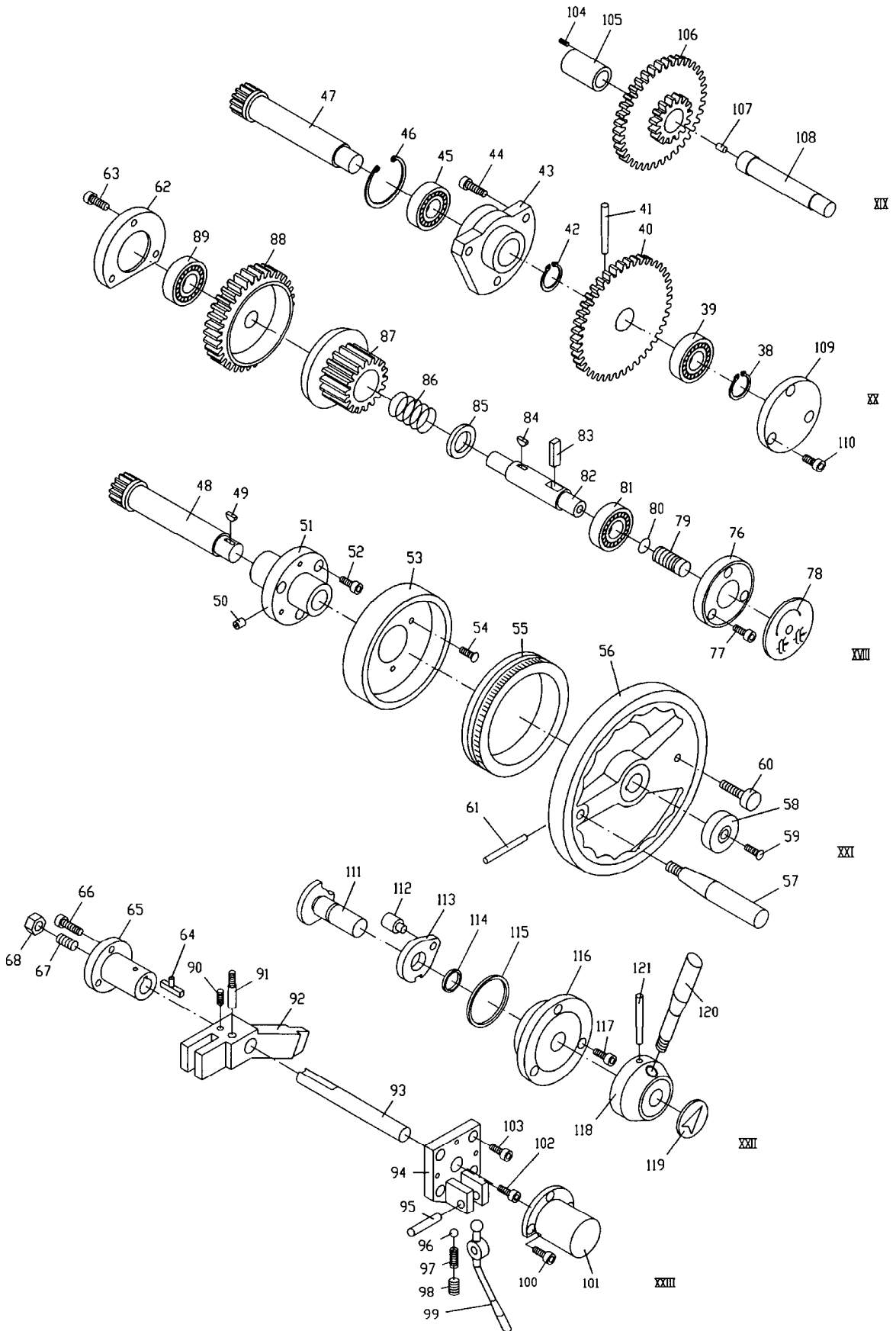
## Apron Assembly I

Index No.	Part No.	Description	Size	Qty.
1.....	TL06101	Apron Casting.....		1
2.....	TL06103	Bottom Cover .....		1
3.....	TS-1540072	Hex Nut .....	M10.....	1
4.....	ZX-A4	Flat Head Set Screw.....	M10x70 .....	1
5.....	TL06502	Cushion Cap .....		1
6.....	ZX-A6	Pin.....	6n6x16 .....	2
7.....	ZX-A7	Tensile Spring.....	YI1.2x9x50 .....	1
8.....	TL06734	Lever .....		1
9.....	ZX-A9	Pin.....	8n6x30 .....	1
10.....	ZX-A10	Pin.....	6n6x18 .....	1
11.....	TL06701-A	Pushing Rod.....		1
12.....	ZX-A12	Oil Seal .....	15x2.4 .....	1
13.....	BB60016	Ball Bearing.....	6x17x6 .....	1
14.....	ZX-A6	Pin.....	6n6x16 .....	1
15.....	ZX-A15	Drain Plug .....	Z 1/4" .....	1
16.....	ZX-B34	Taper Pin.....	5x30 .....	2
17.....	TS-1504041	Hex Socket Cap Screw.....	M8x20 .....	6
18.....	TL06501	Gasket.....		1
19.....	TL06307	Sign Plate.....		1
20.....	TL06716	Lever .....		1
21.....	ZX-06122	Lever Support.....		1
22.....	ZX-B27	Taper Pin.....	6x60 .....	1
23.....	TL06717	Half Nut Shaft.....		1
24.....	TL06111	Positioning Block .....		1
25.....	ZX-A25	Thread Tail Taper Pin.....	6x25 .....	1
26.....	TS-1523031	Set Screw.....	M6x10 .....	1
27.....	ZX-06733	Half Nut Control Plate .....		1
28.....	ZX-A28	Taper Pin.....	6x55 .....	1
29.....	ZX-06732	Pin.....		2
30.....	ZX-06302	Half Nut (serial # 010611ZX349 and lower) .....		1
.....	ZX-06302N	New Half Nut (serial # 010618ZX350 and higher) .....		1
31.....	TS-1540072	Hex Nut .....	M10.....	1
32.....	ZX-A32	Cylindrical End Set Screw.....	M10x60 .....	1
33.....	ZX-06121	Gib .....		1
34.....	ZX-06731	Cylindrical End Set Screw.....		3
35.....	TS-1540061	Hex Nut .....	M8.....	3
36.....	ZX-A36	Set Screw.....	M8x32 .....	1
37.....	ZX-A37	Oil Sight Glass.....	20 .....	1
69.....	TL06727	Gear (serial # 010611ZX349 and lower) .....	2m25T.....	1
.....	TL06727N	New Gear (serial # 010618ZX350 and higher) ....	2m25T.....	1
70.....	TL06728	Sliding Key .....		2
71.....	TL06121	Spacer (serial # 010611ZX349 and lower).....		2
.....	TL06121N	New Spacer (serial # 010618ZX350 and higher) .....		2
72.....	TL06304	Positioning Sleeve (serial # 010611ZX349 and lower) .....		2
.....	TL06304N	New Positioning Sleeve (serial # 010618ZX350 and higher) .....		2
73.....	ZX-A73	Ring Seal For Rotating .....	3x55 .....	2
74.....	ZX-A74	Oil Seal .....	35x3.1 .....	1
75.....	TL06729	Sleeve (serial # 010611ZX349 and lower).....		1
.....	TL06729N	New Sleeve (serial # 010618ZX350 and higher) .....		1
122.....	TL06302	Sign Plate.....		1
123.....	TL06730	Shaft .....		1
124.....	BB-51104	Thrust Bearing.....		2
125.....	TL06305	Sleeve .....		2
126.....	TL06726	Worm (serial # 010611ZX349 and lower) .....		1
.....	TL06726N	New Worm (serial # 010618ZX350 and higher).....		1
127.....	TL06122	Worm Support (serial # 010611ZX349 and lower) .....		1

Index No.	Part No.	Description	Size	Qty.
.....	TL06122N	New Worm Support (serial # 010618ZX350 and higher)		1
128	TL06720	Control Plate		1
129	TS-1514031	Hex Socket Cap Screw	M6x20	4
130	ZX-A130	Taper Pin	4x20	1
131	TS-1524031	Set Screw	M8x12	2
132	ZX-A132	Screw	M8x25	2
133	ZX-A133	Cylindrical Tensile Spring	LI-1.6x10x58	1
134	TL06503	Gasket		1
135	TL06114	Back Cover		1
136	TS-1514011	Hex Socket Cap Screw	M6x12	5
137	ZX-A137	Set Screw	M8x30	2
138	ZX-A138	Iron Wire	1x50	2
139	ZX-A139	Oil Conducting Cord	3x100	2
140	ZX-A140	Screw	M10x40	1
158	TS-1540041	Hex Nut	M6	1
159	TL06124	Bracket		1
160	ZX-A160	Taper Pin	5x25	2
161	TL06308	Bracket		1
162	TS-1503041	Hex Socket Cap Screw	M6x16	1



# Apron Assembly II

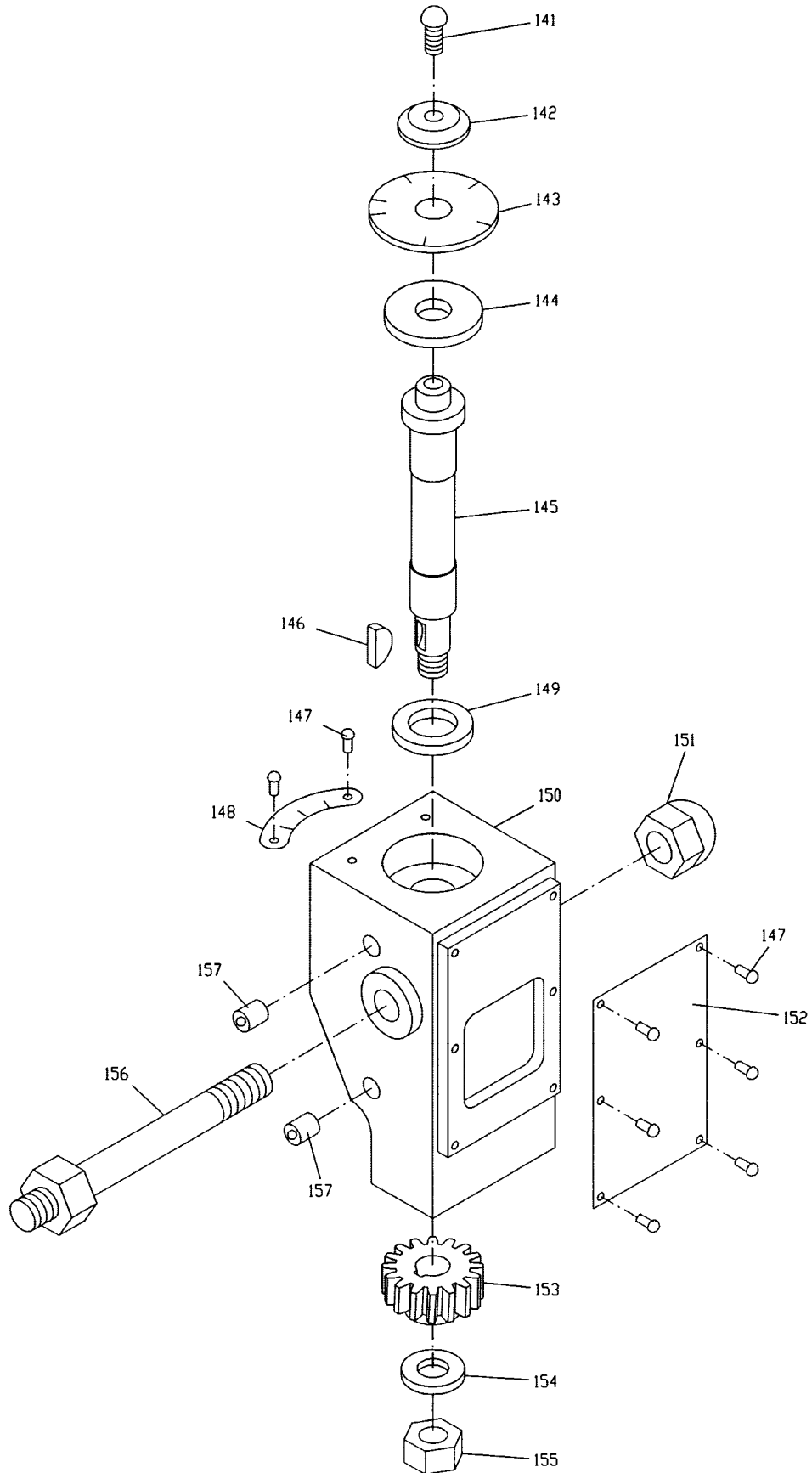


## Apron Assembly II

Index No.	Part No.	Description	Size	Qty.
38.....	ZX-B23	C-Clip.....	20.....	1
39.....	BB-6204	Ball Bearing.....	20x47x14.....	1
40.....	TL06705	Gear.....	2m65T.....	1
41.....	ZX-A41	Taper Pin.....	6x40.....	1
42.....	ZX-C40	C-Clip.....	25.....	1
43.....	ZX-06127	Bearing Support (serial # 010611ZX349 and lower).....		1
.....	ZX-06127N	New Bearing Support (serial # 010618ZX350 and higher).....		1
44.....	TS-1504041	Hex Socket Cap Screw.....	M8x18.....	3
45.....	BB-6205Z	Ball Bearing.....	25x52x15.....	1
46.....	ZX-A46	C-Clip.....	52.....	1
47.....	TL06704	Shaft (serial # 010611ZX349 and lower).....	2m14T.....	1
.....	TL06704N	New Shaft (serial # 010618ZX350 and higher).....	2m14T.....	1
48.....	TL06706	Hand Wheel Shaft.....	2mx15T.....	1
49.....	ZX-H10	Half Circle Key.....	4x16.....	1
50.....	ZX-A50	Oil Cup.....	8.....	1
51.....	TL06104	Lever Support.....		1
52.....	TS-1503051	Hex Socket Cap Screw.....	M6x18.....	3
53.....	TL06105	Dial Support.....		1
54.....	ZX-A54	Cross Head Screw.....	M5x12.....	3
55.....	TL06732	Dial.....		1
56.....	TL06107	Hand Wheel.....		1
57.....	ZX-06710	Shaft Driven Lever.....		1
58.....	TL06709	Shaft Cover.....		1
59.....	ZX-A54	Cross Head Screw.....	M5x12.....	1
60.....	TL06708	Screw.....		1
61.....	TL06707	Pin.....		1
62.....	TL06112	End Cover.....		1
63.....	TS-1503031	Hex Socket Cap Screw.....	M6x12.....	3
64.....	TL06733	T Shaped Flat Key.....		1
65.....	TL06115	Flange Sleeve.....		1
66.....	TS-1503031	Hex Socket Cap Screw.....	M6x12.....	3
67.....	ZX-A67	Flat End Set Screw.....	M6x30.....	1
68.....	TS-1540041	Hex Nut.....	M6.....	1
76.....	TL06109	Flange.....		1
77.....	TS-1503031	Hex Socket Cap Screw.....	M6x12.....	3
78.....	TL06303	Sign Plate.....		1
79.....	TL06714	Adjusting Screw.....		1
80.....	ZX-A80	Oil Seal.....	8x1.9.....	1
81.....	BB-7203	Ball Bearing.....	17x40x12.....	1
82.....	TL06713	Shaft.....		1
83.....	TL06715	Adjusting Rod.....		1
84.....	ZX-H10	Half Circle Key.....	4x16.....	1
85.....	TL06712	Spring Cover.....		1
86.....	ZX-A86	Spring.....	YI-5x35x50.....	1
87.....	TL06718	Gear.....	2m28T.....	1
88.....	TL06113	Helical Gear.....	2.5m40T.....	1
89.....	BB7006/P6	Ball Bearing.....	30x55x13.....	1
90.....	TS-1523031	Set Screw.....	M6x10.....	1
91.....	ZX-A25	Thread Tail Taper Pin.....	6x25.....	1
92.....	TL06110	Fork.....		1
93.....	TL06721	Control Rod.....		1
94.....	TL06116	Lever Support.....		1
95.....	ZX-A9	Pin.....	8n6x30.....	1
96.....	ZX-H5	Steel ball.....	8.....	1
97.....	ZX-A97	Spring.....	YI-1x7x25.....	1
98.....	ZX-A98	Flat Head Set Screw.....	M10x16.....	1

<b>Index No.</b>	<b>Part No.</b>	<b>Description</b>	<b>Size</b>	<b>Qty.</b>
99.....	TL06722 .....	Lever.....		1
100.....	ZX-A100 .....	Cross Head Screw.....	M5x10 .....	3
101.....	TL06117.....	Cover .....		1
102.....	ZX-A102 .....	Adjusting Screw.....	M6x30 .....	1
103.....	TS-1503051 .....	Hex Socket Cap Screw.....	M6x18 .....	3
104.....	ZX-A104 .....	Flat Head Set Screw.....	M4x8 .....	1
105.....	TL06301 .....	Sleeve .....		1
106.....	TL06710 .....	Gear.....	2m21T/2m57T .....	1
107.....	ZX-A107 .....	Pin.....	6n6x8 .....	1
108.....	TL06711.....	Shaft .....		1
109.....	TL06108 .....	End Cover .....		1
110.....	TS-1503031 .....	Hex Socket Cap Screw.....	M6x12 .....	3
111.....	TL06723 .....	Control Shaft .....		1
112.....	TL06725 .....	Pin.....		1
113.....	TL06724 .....	Control Block.....		1
114.....	ZX-A114.....	Oil Seal .....	20x2.4 .....	1
115.....	ZX-A115.....	Oil Seal .....	50x3.1 .....	1
116.....	TL06119.....	Lever Flange .....		1
117.....	TS-1503031 .....	Hex Socket Cap Screw.....	M6x12 .....	3
118.....	TL06118.....	Lever Support.....		1
119.....	TL06307 .....	Sign Plate.....		1
120.....	TL06716 .....	Lever.....		1
121.....	ZX-B27 .....	Taper Pin.....	6x60 .....	1

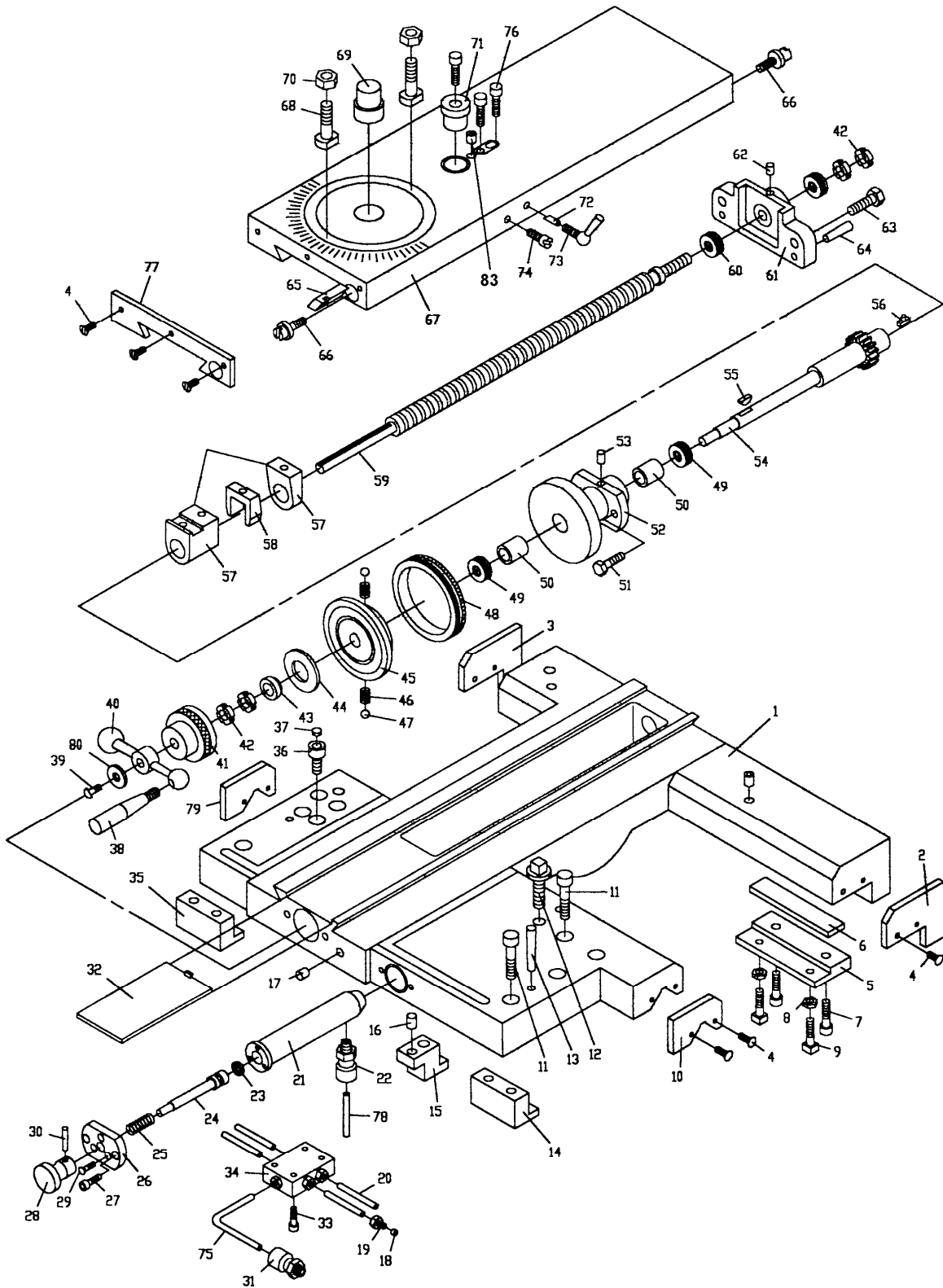
# Apron Assembly III



### Apron Assembly III

Index No.	Part No.	Description	Size	Qty.
141	ZX-A141	Half Round Head Screw	M6x18	1
142	ZX-11704	Washer		1
143	ZX-11301	Dial		1
144	ZX-11105	Adjusting Washer		1
145	ZX-11701	Shaft		1
146	ZX-H10	Half Circle Key	4x16	1
147	ZX-A147	Half Round Head Screw	M3x6	8
148	ZX-11303	Positioning Sign Plate		1
149	ZX-11703	Adjusting Washer		1
150	ZX-11101	Casting		1
151	ZX-A151	Acorn Nut	M12	1
152	ZX-11304	Thread Chasing Label		1
153	ZX-11102	Helical Gear	2m16T	1
154	TS-1550071	Flat Washer	M10	1
155	TS-1540072	Hex Nut	M10	1
156	ZX-11702	Bolt		1
157	ZX-A157	Oil Cup	8	2

# Carriage Assembly



## Carriage Assembly

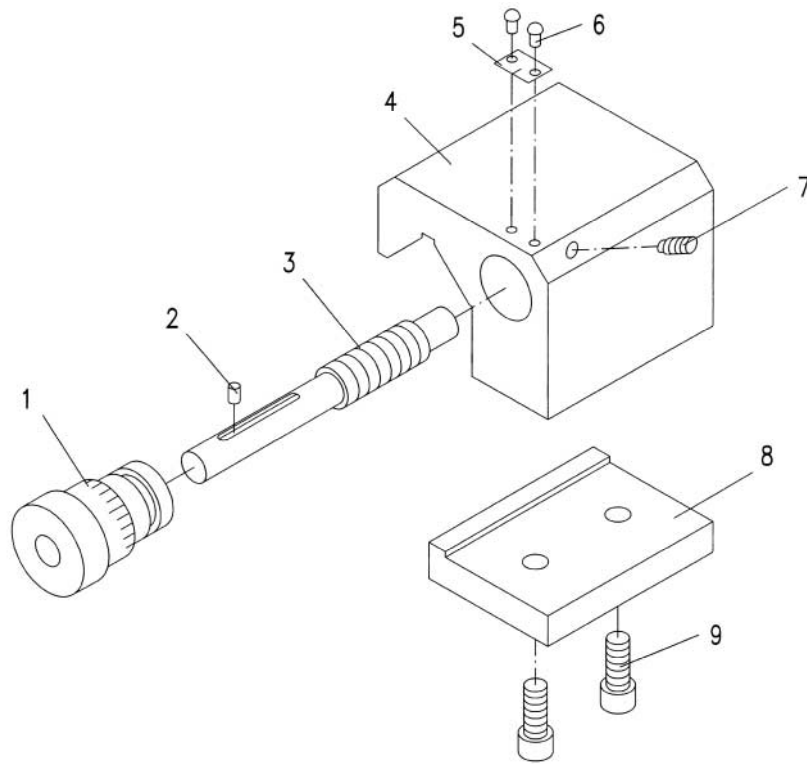
Index No.	Part No.	Description	Size	Qty.
1	ZX-04101A	Saddle Casting		1
	GH2280ZX-14101	Saddle Casting (for 2280ZX)		1
2	ZX-04505	Wipe Plate		1
3	ZX-04504	Wipe Plate		1
4	ZX-H211	Countersunk Head Screw	M5x16	11
5	ZX-04724	Clamping Block		2
6	ZX-04113	Lining Plate		2
7	TS-1505041	Hex Socket Cap Screw	M10x30	4
8	TS-1540061	Hex Nut	M8	4
9	ZX-CA09	Square Set Screw	M8x20	4
10	ZX-04506	Wipe Plate		1
11	TS-1505071	Hex Socket Cap Screw	M10x45	8
12	ZX-CA12	Square Cap Bolt	M12x70	1
13	ZX-CA13	Taper Pin	8x60	2
14	ZX-04729	Clamping Block		1
15	ZX-04730	Locking Plate		1
16	ZX-CA16	Pin	4n6x12	1
17	ZX-04772	Blocking Piece		1
18	ZX-CA18	Fitting Joint Seal	A4	8
19	ZX-CA19	Hollowed Bolt	A4	8
20	ZX-CA20	Copper Tube		4
21	ZX-04782	Manual Oil Pump Casting		1
22	ZX-04781A	In Valve		1
23	ZX-CA23	Oil Ring	15x2.4	1
24	ZX-04784	Piston		1
25	ZX-CA25	Spring	1.2x14x65	1
26	ZX-04785	Oil Pump Cover		1
27	TS-1502041	Hex Socket Cap Screw	M5x16	2
28	ZX-04783	Lever		1
29	ZX-CA29	Countersunk Head Screw	M4x16	3
30	ZX-A130	Taper Pin	4x20	1
31	ZX-04781B	Out Valve		1
32	ZX-04716	Chip Guard		1
33	ZX-CA33	Slotted Cheese Head Screw	M5x20	4
34	ZX-04780	Oil Distributor		1
35	ZX-04740	Clamping Block		1
36	ZX-04750	Oil Cap		1
37	ZX-04301	Oil Indicator Cap		1
38	ZX-04721	Lever		1
39	ZX-CA39	Cross Head Screw	M5x16	1
40	ZX-04720	Handle		1
41	ZX-04769	Sleeve		1
42	ZX-CA42	Round Nut	M12x1.25	4
43	ZX-04719	Lining		1
44	ZX-04770	Disc Spring		1
45	ZX-04108	Flat Pan		1
46	ZX-04790	Pushing Rod		1
47	ZX-04789	Screw		1
48	ZX-04717	Dial		1
49	BB-51102	Thrust Bearing	15x28x9	2
50	ZX-04111	Sleeve		2
51	TS-1490041	Hex Cap Bolt	M8x25	2
52	ZX-04109	Screw Support		1
	GH2280ZX-04109B	Screw Support (for 2280ZX)		1
53	ZX-CA53	Oil Cup	8	2

Index No.	Part No.	Description	Size	Qty.
54	ZX-04707-1	Gear Sliding Sleeve	2m16T	1
	ZX-04707-1A	Gear Sliding Sleeve(for 2280ZX)		1
55	ZX-H10	Half Circle Key	4x16	1
56	ZX-04751	Flat Key		1
57	ZX-04302	Nut Assembly		1
	ML-2080-04301	Nut Assembly (for 2280ZX)		1
58	ZX-04748	Wedge		1
59	ZX-04707-2	Lead Screw		1
	GH2280ZX-04707-2	Lead Screw (for 2280ZX)		1
60	BB-51101/P6	Thrust Bearing	12x26x9	2
61	ZX-04116	Bracket		1
62	ZX-CA62	Oil Cup	6	1
63	TS-1491041	Cap Screw	M10x30	2
64	ZX-CA64	Taper Pin	8x30	2
65	ZX-04731	Cross Slide Gib		1
66	ZX-04725C	Screw		2
67	ZX-04102A	Cross Slide		1
	GH2280ZX-04102	Cross Slide (for 2280ZX)		1
68	ZX-04714	Screw (for 18"/22" models, T-Slot)		2
	ZX-04714C	Screw (for 14"/16" models, T-Slot)		2
69	ZX-04732	Pin		1
70	TS-1540081	Hex Nut	M12	2
71	ZX-04709	Sleeve		1
	GH2280ZX-04701	Sleeve (for 2280ZX)		1
72	ZX-04304	Pressing Pin	1	1
73	ZX-04746	Screw		1
74	ZX-04786	Set Screw		1
75	ZX-CA75	Long Copper Tube		1
76	TS-1504051	Socket Head Cap Screw	M8x22	3
77	ZX-04502	Wipe Plate		1
	GH2280ZX-04502	Wipe Plate (for 2280ZX)		1
78	ZX-CA78	Copper Tube		6
79	ZX-04503	Wipe Plate		1
80	ZX-04771	Lining		1
81	ZX-04788	Stop Pin		1
82	ZX-04507	Stop Pin Cap		1
83	ZX-CA83	Oil Cup	10	1
	ZX-CSNA	Crossfeed Screw & Nut Assy. (includes # 57- 59. for 14/16/18")		
	ZX-CSNA-GH2280ZX	Crossfeed Screw & Nut Assy. (includes #57-59, for 22")		
	ZX-CDA	Crossfeed Dial Assy. (includes # 41-50, 51-56. for 14/16/18")		
	ZX-CDA-GH2280ZX	Crossfeed Dial Assy. (includes # 41-50, 51-56. for 22")		

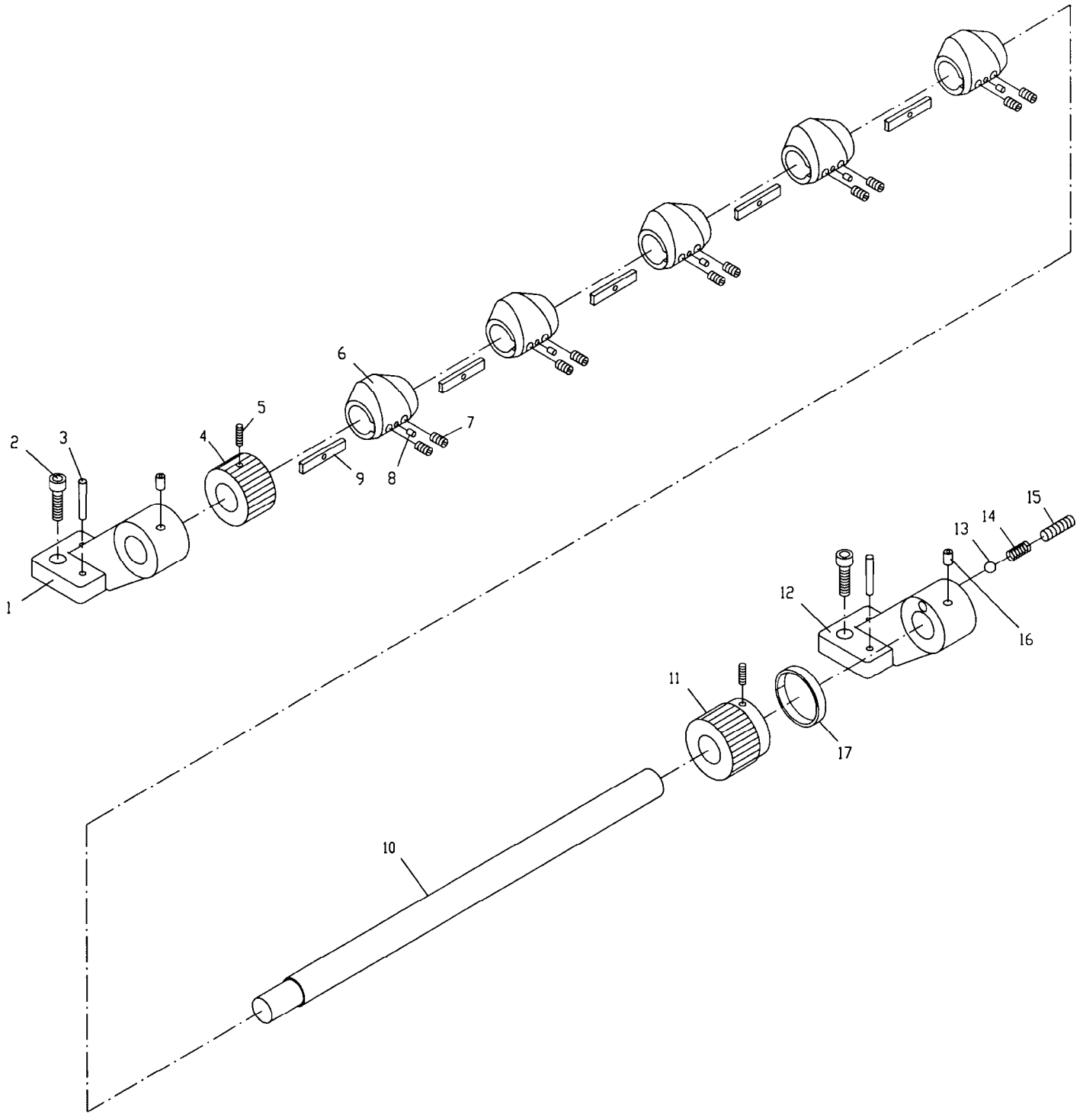


## Micro Carriage Stop

Index No.	Part No.	Description	Size	Qty.
1.....	ZX-09709.....	Dial.....		1
2.....	ZX-MS2.....	Pin.....	B4x8.....	1
3.....	ZX-09708.....	Axle.....		1
4.....	ZX-09105.....	Stop.....		1
5.....	ZX-03302.....	Sign Plate.....		1
6.....	ZX-MS6.....	Nail.....	3x8.....	2
7.....	ZX-MS7.....	Hex Socket Set Screw.....	M6x12.....	1
8.....	ZX-09106.....	Clamping Plate.....		1
9.....	ZX-MS9.....	Hex Socket Cap Screw.....	M8x20.....	2



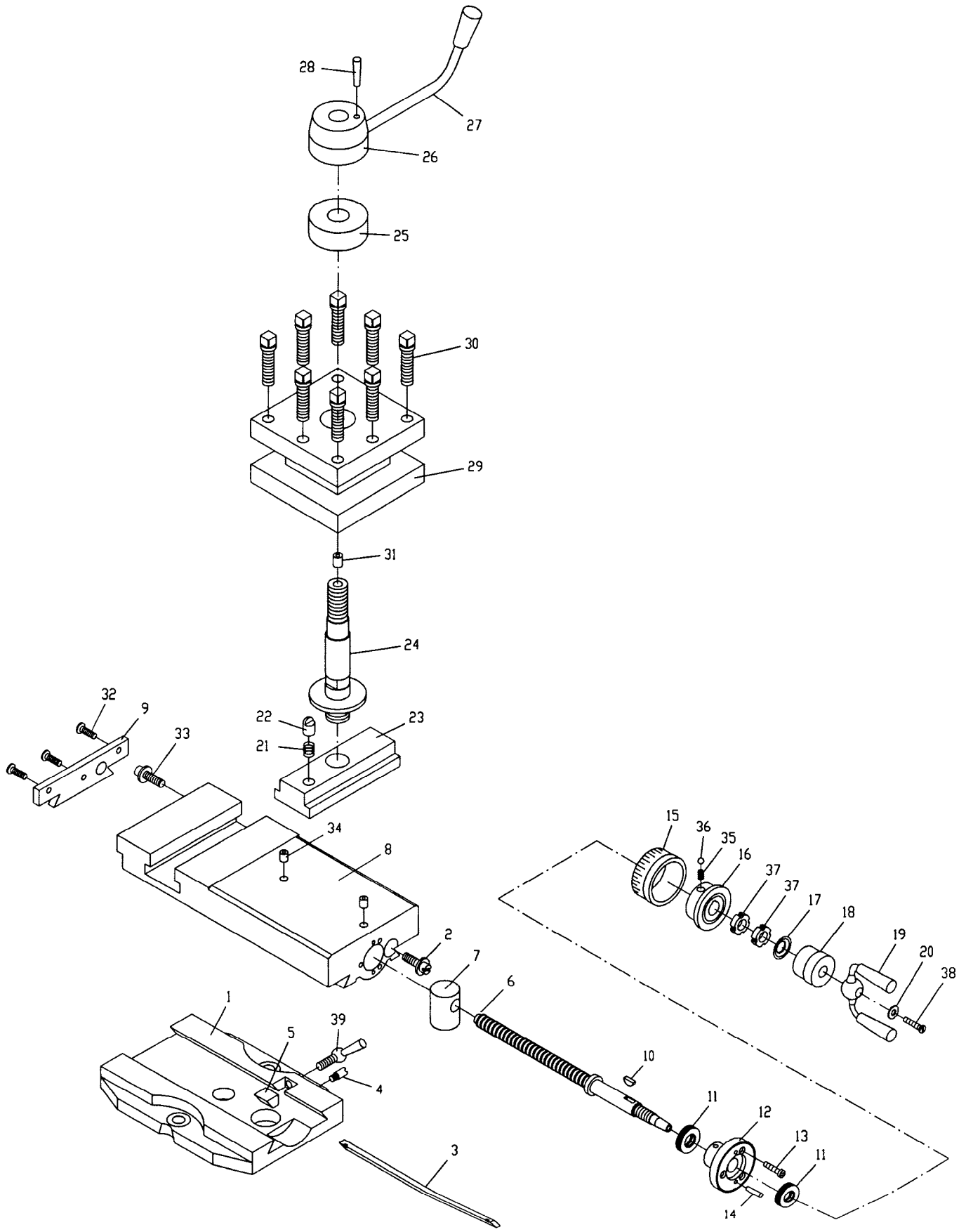
# Carriage Stop Assembly



## Carriage Stop Assembly

Index No.	Part No.	Description	Size	Qty.
1.....	ZX-26101.....	Left Support.....		1
2.....	TS-1504041.....	Hex Socket Cap Screw.....	M8x20.....	4
3.....	ZX-C34.....	Taper Pin.....	6x30.....	4
4.....	ZX-26704.....	Control Ring.....		1
5.....	TS-1523031.....	Set Screw.....	M6x10.....	2
6.....	ZX-26702.....	Eccentric Travel Setting Ring.....		5
7.....	ZX-H66.....	Flat End Set Screw.....	M6x10.....	10
8.....	ZX-C08.....	Pin.....	4n6x10.....	5
9.....	ZX-26703.....	Locking Key.....		5
10.....	ZX-26701A.....	Travel Setting Rod (for 1440/1640/1840ZX).....		1
.....	ZX-26701B.....	Travel Setting Rod (for 1460/1660/1860ZX).....		1
.....	ZX-26701C.....	Travel Setting Rod (for 1880/2280ZX).....		1
11.....	ZX-26705.....	Control Ring.....		1
12.....	ZX-26104.....	Right Support.....		1
13.....	ZX-H5.....	Steel Ball.....	8.....	1
14.....	ZX-CS14.....	Compression Spring.....	2x8x25.....	1
15.....	ZX-CS15.....	Flat Head Set Screw.....	M10x12.....	1
16.....	ZX-CS16.....	Oil Cup.....	8.....	2
17.....	ZX-26301.....	Dial.....		1

# Four Way Tool Post



## Four Way Tool Post

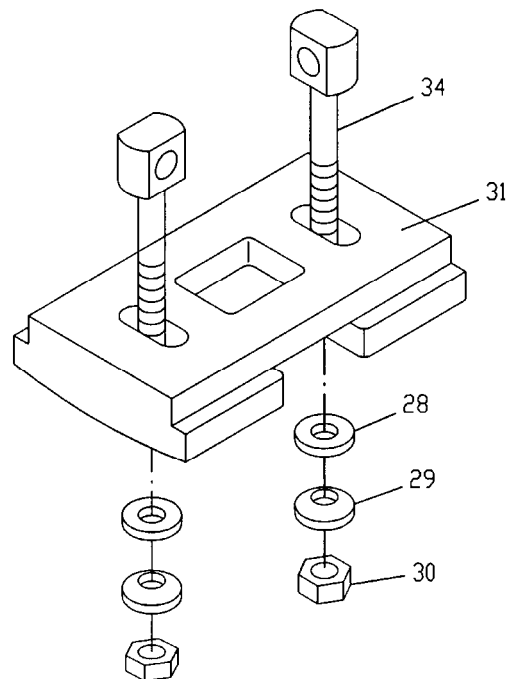
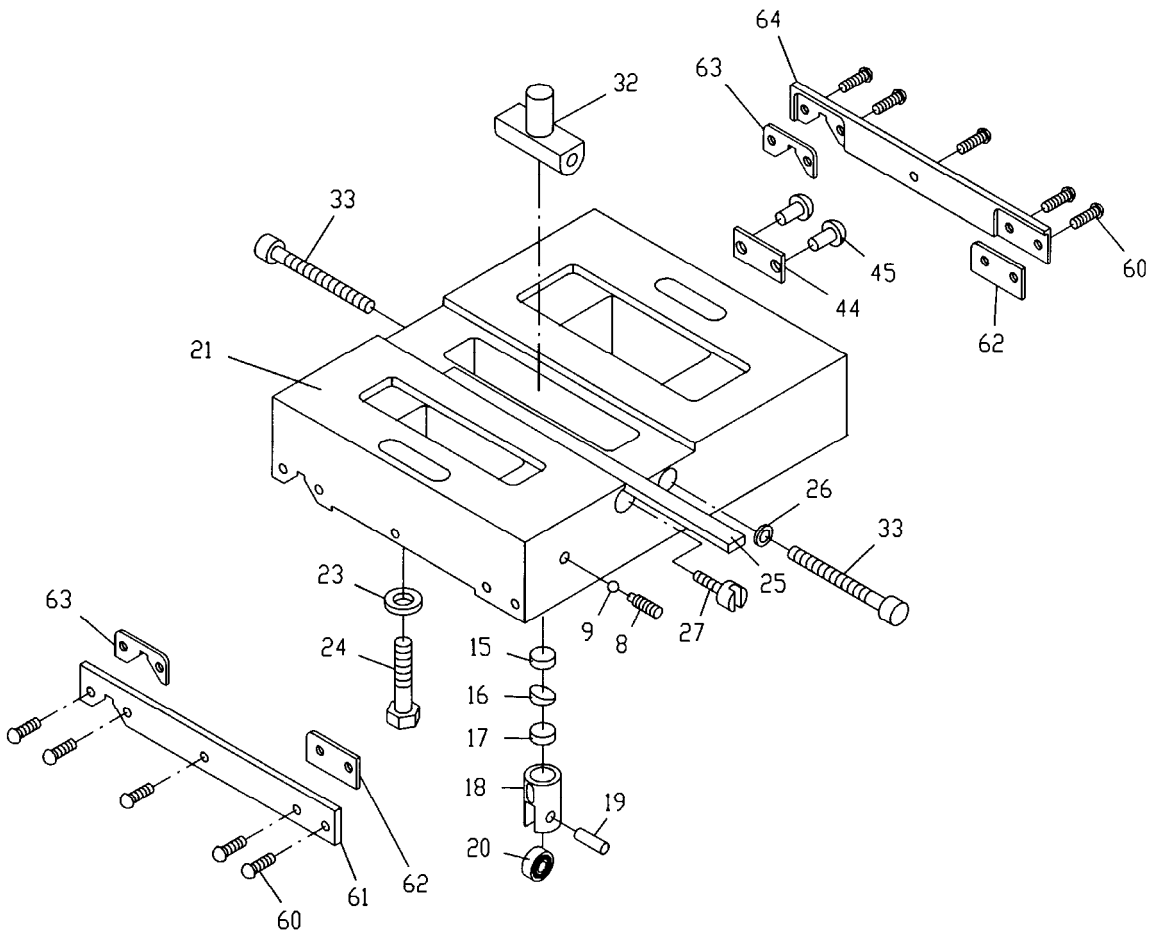
Index No.	Part No.	Description	Size	Qty.
1	ZX-04103A	Revolving Plate (for 14" models)		1
	ZX-04103B	Revolving Plate (for 16" models)		1
	ZX-04103C	Revolving Plate (for 18" models)		1
	GH2280ZX-04103	Revolving Plate (for 22" model)		1
2	ZX-04725	Screw		1
3	ZX-04710	Gib		1
4	ZX-04786	Screw		1
5	ZX-04303	Pressing Block		1
6	ZX-04706	Lead Screw		1
7	ZX-04106A	Nut		1
8	ZX-04107A	Top Slide (for 14" models)		1
	ZX-04107B	Top Slide (for 16"/18" models)		1
	GH2280ZX-04107	Top Slide (for 22" model)		1
9	ZX-04501	Wipe Plate		1
10	ZX-F10	Half Circle Key	3x13	1
11	BB-51102	Thrust Bearing	15x28x9	2
12	ZX-04115	Sleeve		1
13	ZX-F13	Slotted Cheese Head Screw	M5x12	3
14	ZX-F14	Taper Pin	3x18	2
15	ZX-04727	Dial		1
16	ZX-04114	Sleeve		1
17	ZX-04768	Disc Spring		1
18	ZX-04767	Sleeve		1
19	ZX-04726	Handle		1
20	ZX-04771	Lining		1
21	ZX-04763	Spring	0.8x6x25	1
22	ZX-04787	Positioning Block		1
23	ZX-04752A	T-Slot Nut		1
24	ZX-04754	Shaft		1
25	ZX-04759	Adjusting Lining Sheet		1
26	ZX-04110	Lever Support		1
27	ZX-04753	Handle		1
28	ZX-Q66	Taper Pin	5x35	1
29	ZX-04713A	Tool Post (for 14" models)		1
	ZX-04713B	Tool Post (for 16"/18"/22" models)		1
30	ZX-F30A	Clamping Screw (for 16"/18"/22" models)	M12x45	8
	ZX-F30B	Clamping Screw (for 14" models)	M12x50	8
31	ZX-F31	Oil Cup	8	1
32	ZX-H211	Countersunk Head Screw	M5x16	3
33	ZX-04725C	Screw		1
34	ZX-F34	Oil Cup	8	2
35	ZX-F35	Spring	0.7x5x9	1
36	ZX-F36	Steel Ball	6	1
37	ZX-F37	Round Nut	M12x1.25	2
38	ZX-CA39	Cross Head Screw	M5x16	1
39	ZX-04746K	Screw Wrench		1
	ZX-TA14	Toolholder Assembly 14" (includes # 29 & 30)		
	ZX-TA16/18/22	Toolholder Assembly 16"/18"/22" (includes # 29 & 30)		
	ZX-CPA14	Compound Assembly 14" (includes # 1-20,32-39)		
	ZX-CPA16	Compound Assembly 16" (includes # 1-20,32-39)		
	ZX-CPA18	Compound Assembly 18" (includes # 1-20,32-39)		
	ZX-CPA22	Compound Assembly 22" (includes # 1-20,32-39)		



## Tailstock Assembly I

Index No.	Part No.	Description	Size	Qty.
1.....	ZX-03711	Handle.....		1
2.....	ZX-03717	Lever Support.....		1
3.....	ZX-03718	Washer.....		1
4.....	ZX-03719	Clamping Block.....		1
5.....	ZX-03720	Clamping Block.....		1
6.....	ZX-T06	Cylindrical End Set Screw.....	M8x14	2
7.....	ZX-03712	Eccentric Shaft.....		1
10.....	ZX-03701A	Center Sleeve (for 18"/22" models).....		1
.....	ZX-03701B	Center Sleeve (for 14"/16" models).....		1
11.....	ZX-T11	Ring Seal.....	75x2.65	1
12.....	ZX-03703	Front Cover.....		1
13.....	ZX-T13	Cross Recessed Countersunk Head Screw.....	M5x10	4
14.....	ZX-T14A	Center Morse (for 18"/22" models).....	No.5	1
.....	ZX-T14B	Center Morse (for 14"/16" models).....	No.4	1
22.....	ZX-03702	Positioning Block.....		1
35.....	ZX-03714	Eccentric Shaft.....		1
36.....	ZX-T36	Taper Pin.....	6x32	1
37.....	ZX-03104	Lever Sleeve.....		1
38.....	ZX-03709	Lock handle.....		1
39.....	ZX-A28	Taper Pin.....	6x55	1
40.....	TS-1504041	Hex Socket Cap Screw.....	M8x20	4
41.....	TS-1515031	Hex Socket Cap Screw.....	M8x22	3
42.....	ZX-T42	Pin.....	10n6x22	1
43.....	ZX-03302	Sign Plate.....		1
45.....	ZX-T45	Nail.....	3x8	4
46.....	ZX-03105	Nut.....		1
47.....	BB-51205	Thrust Ball Bearing.....	25x47x15	1
48.....	ZX-03104	Back Cover.....		1
49.....	ZX-03103	Hand Wheel.....		1
50.....	ZX-03707	Lever.....		1
51.....	ZX-T51	Acorn Nut.....	M16	1
52.....	TS-155010	Flat Washer.....	M16	1
53.....	ZX-T53	Key.....	6x40	1
54.....	ZX-03710A	Lead Screw (for 18"/22" models).....		1
.....	ZX-03710B	Lead Screw (for 14"/16" models).....		1
55.....	ZX-03101A	Tailstock Casting (for 18" models).....		1
.....	ZX-03101B	Tailstock Casting (for 16" models).....		1
.....	ZX-03101C	Tailstock Casting (for 14" models).....		1
.....	GH2280ZX-03101	Tailstock Casting (for 22" model).....		1
56.....	ZX-T56	Oil Cup.....	8	1
57.....	ZX-03708	Dial.....		1
58.....	ZX-03706	Sleeve.....		1
59.....	ZX-03711C	Spring Leaf.....		1
65.....	TS-2310162	Nut.....	M16	1

# Tailstock Assembly II

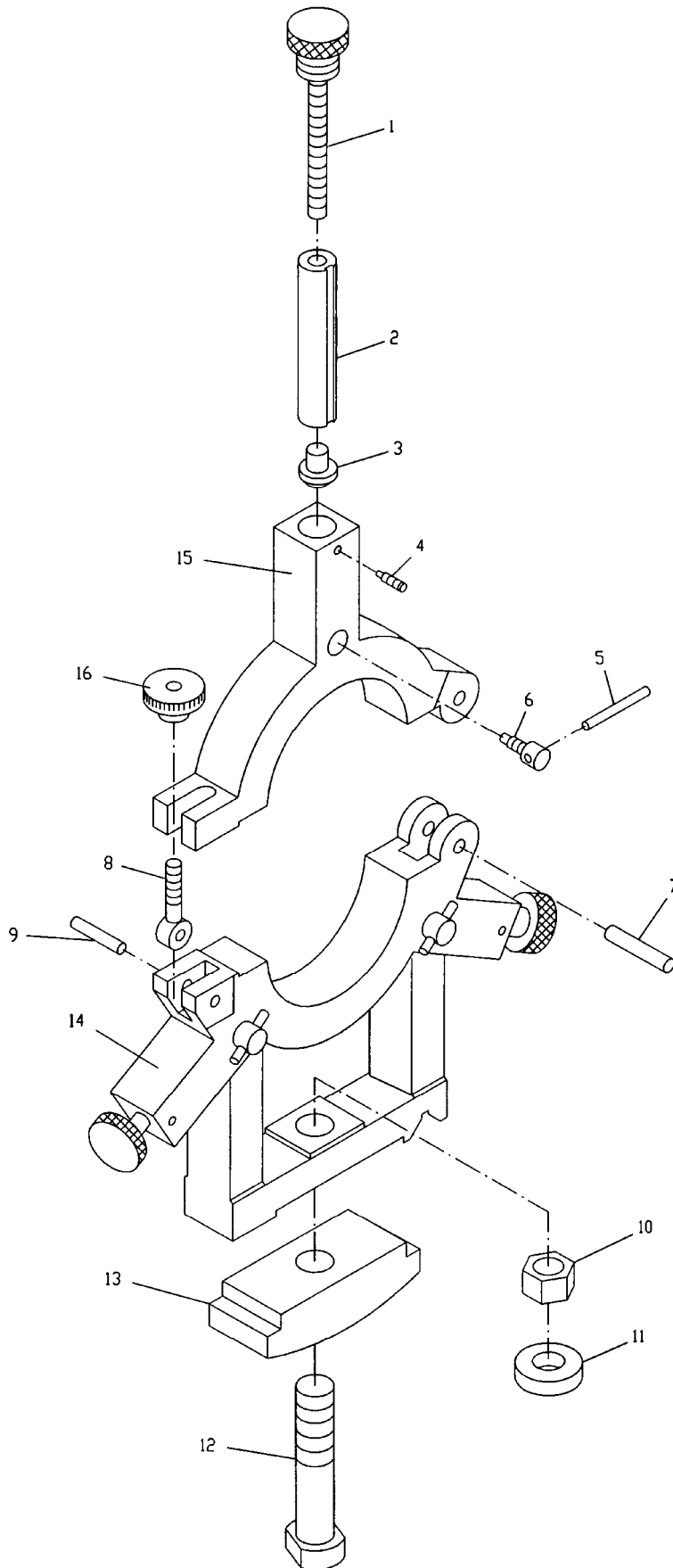




## Tailstock Assembly II

Index No.	Part No.	Description	Size	Qty.
8.....	ZX-T8 .....	Flat End Set Screw (except in 14" models).....	M6x18 .....	4
9.....	ZX-T9 .....	Steel Ball (except in 14" models).....	4.....	4
15.....	ZX-03712.....	Rubber Washer (except in 14" models) .....		4
16.....	ZX-03713.....	Pressing Block (except in 14" models) .....		4
17.....	ZX-03501.....	Circle Plate (except in 14" models) .....		4
18.....	ZX-03714.....	Bearing Support (except in 14" models) .....		4
19.....	ZX-03715.....	Small Axle (except in 14" models) .....		4
20.....	ZX-T20 .....	Ball Bearing (except in 14" models).....	7x19x6 .....	4
21.....	ZX-03102A .....	Sliding Base (for 18"/22" models).....		1
.....	ZX-03102B .....	Sliding Base (for 16" models).....		1
.....	ZX-03102C .....	Sliding Base (for 14" models).....		1
23.....	TS-1550071.....	Flat Washer.....	M10.....	2
24.....	TS-1491151 .....	Hex Cap Bolt (for 18"/22" models).....	M10x90 .....	2
.....	TS-1491121 .....	Hex Cap Bolt (for 16" models).....	M10x70 .....	2
.....	TS-1491081 .....	Hex Cap Bolt (for 14" models).....	M10x50 .....	2
25.....	ZX-03704.....	Gib .....		1
26.....	ZX-03721C .....	Spherical Washer .....		2
27.....	ZX-03718C .....	Adjusting Screw.....		2
28.....	ZX-T28 .....	Taper Washer .....	16.....	2
29.....	ZX-T29 .....	Spherical Washer .....	16.....	2
30.....	TS-2310162.....	Hex Nut.....	M16.....	2
31.....	ZX-03106.....	Clamping Bracket .....		1
32.....	ZX-03105C .....	Nut .....		1
33.....	ZX-T33 .....	Hex Socket Cap Screw.....	M8x85 .....	2
34.....	ZX-03705A .....	Pulling Rod (for 18"/22" models) .....		2
.....	ZX-03705B .....	Pulling Rod (for 16" models) .....		2
.....	ZX-03705C .....	Pulling Rod (for 14" models) .....		2
44.....	ZX-03303.....	Sign Plate.....		1
45.....	ZX-T45 .....	Nail.....	3x8.....	4
60.....	ZX-T60 .....	Half Round Head Screw .....	M5 x12 .....	10
61.....	ZX-03721 .....	Plate.....		1
62.....	ZX-03502.....	Wipe Plate.....		2
63.....	ZX-03503.....	Wipe Plate.....		2
64.....	ZX-03716.....	Plate.....		1
.....	ZX-TSA14.....	Tailstock Assembly, 14" (includes # 1-13,15-64) .....		
.....	ZX-TSA16.....	Tailstock Assembly, 16" (includes # 1-13,15-64) .....		
.....	ZX-TSA18.....	Tailstock Assembly, 18" (includes # 1-13,15-64) .....		
.....	ZX-TSA22.....	Tailstock Assembly, 22" (includes # 1-13,15-64) .....		

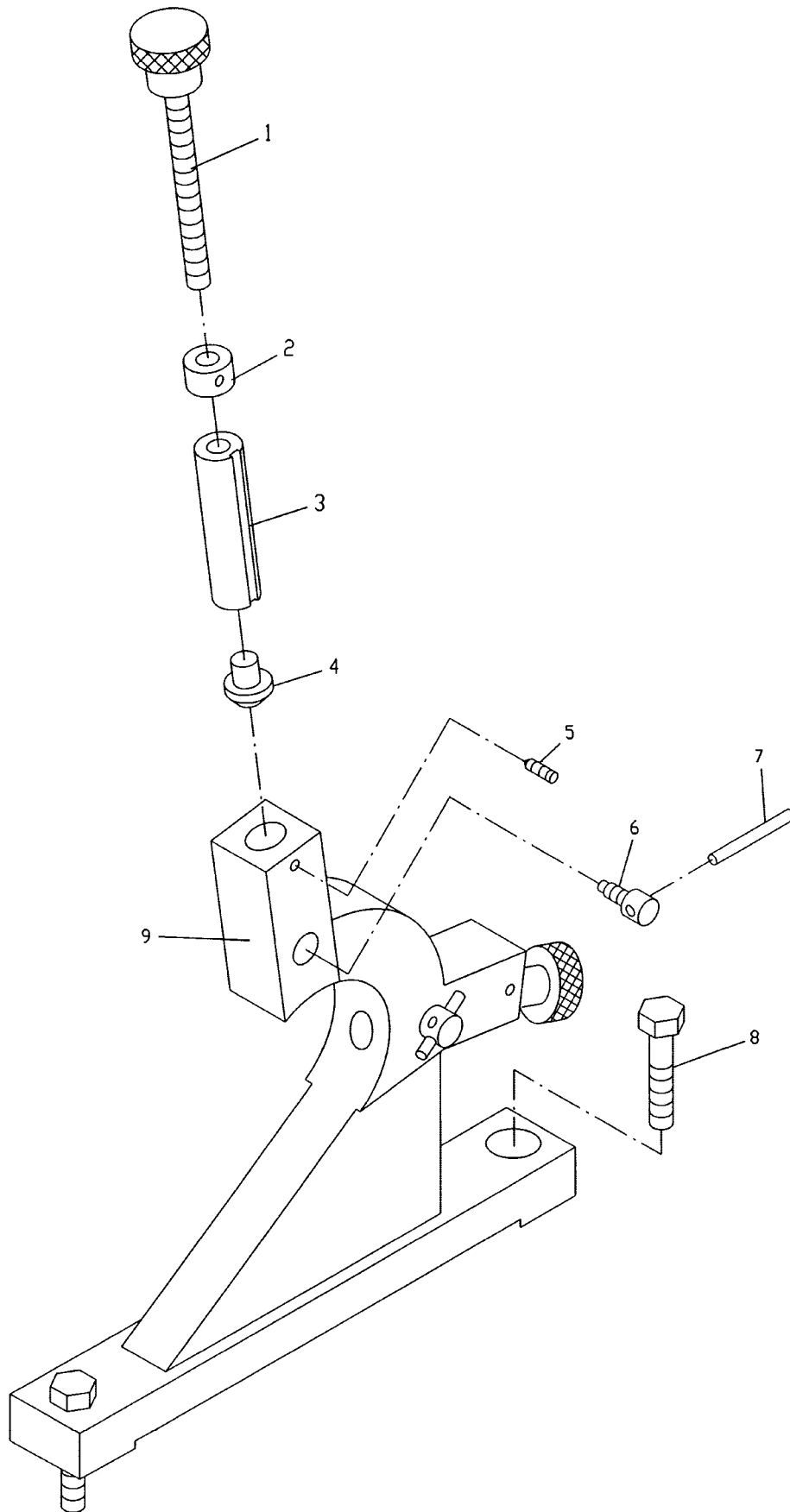
# Steady Rest Assembly



## Steady Rest Assembly

Index No.	Part No.	Description	Size	Qty.
.....	ZX-SRA14	Steady Rest Assembly, 14" (includes # 1-16)		
.....	ZX-SRA16	Steady Rest Assembly, 16" (includes # 1-16)		
.....	ZX-SRA18	Steady Rest Assembly, 18" (includes # 1-16)		
.....	ZX-SRA22	Steady Rest Assembly, 22" (includes # 1-16)		
1.....	ZX-10702A	Screw (for 14" models)		3
.....	ZX-10702B	Screw (for 16" models)		3
.....	ZX-10702C	Screw (for 18"/22" models)		3
2.....	ZX-10704D	Sliding Sleeve	90-180	3
.....	ZX-10705D	Sliding Sleeve	20-210	3
3.....	ZX-10301D	Pushing Block		3
4.....	ZX-SR04	Slotted Set Screw	M6x20	3
5.....	ZX-10705	Lever		3
6.....	ZX-10706	Locking Screw		3
7.....	ZX-C36	Pin	10n6x40	1
8.....	ZX-10701F	Hinge Screw		1
9.....	ZX-SR9	Pin	8n6x40	1
10.....	ZX-SR10	Hex Nut	M20	1
11.....	ZX-SR11	Flat Washer	20	1
12.....	ZX-10708	Tightening Screw		1
13.....	ZX-10103D	Clamping Plate		1
14.....	ZX-10101A	Lower Part of Steady Rest (for 14" models)		1
.....	ZX-10101B	Lower Part of Steady Rest (for 16" models)		1
.....	ZX-10101C	Lower Part of Steady Rest (for 18" models)		1
.....	GH2280ZX-10101	Lower Part of Steady Rest (for 22" model)		1
15.....	ZX-10102AS	Upper Part of Steady Rest (for 14" models)		1
.....	ZX-10102BS	Upper Part of Steady Rest (for 16"/18" models)		1
.....	ZX-10102F	Upper Part of Steady Rest (for 22" model)		1
16.....	ZX-SR16	Round Nut	M10	1

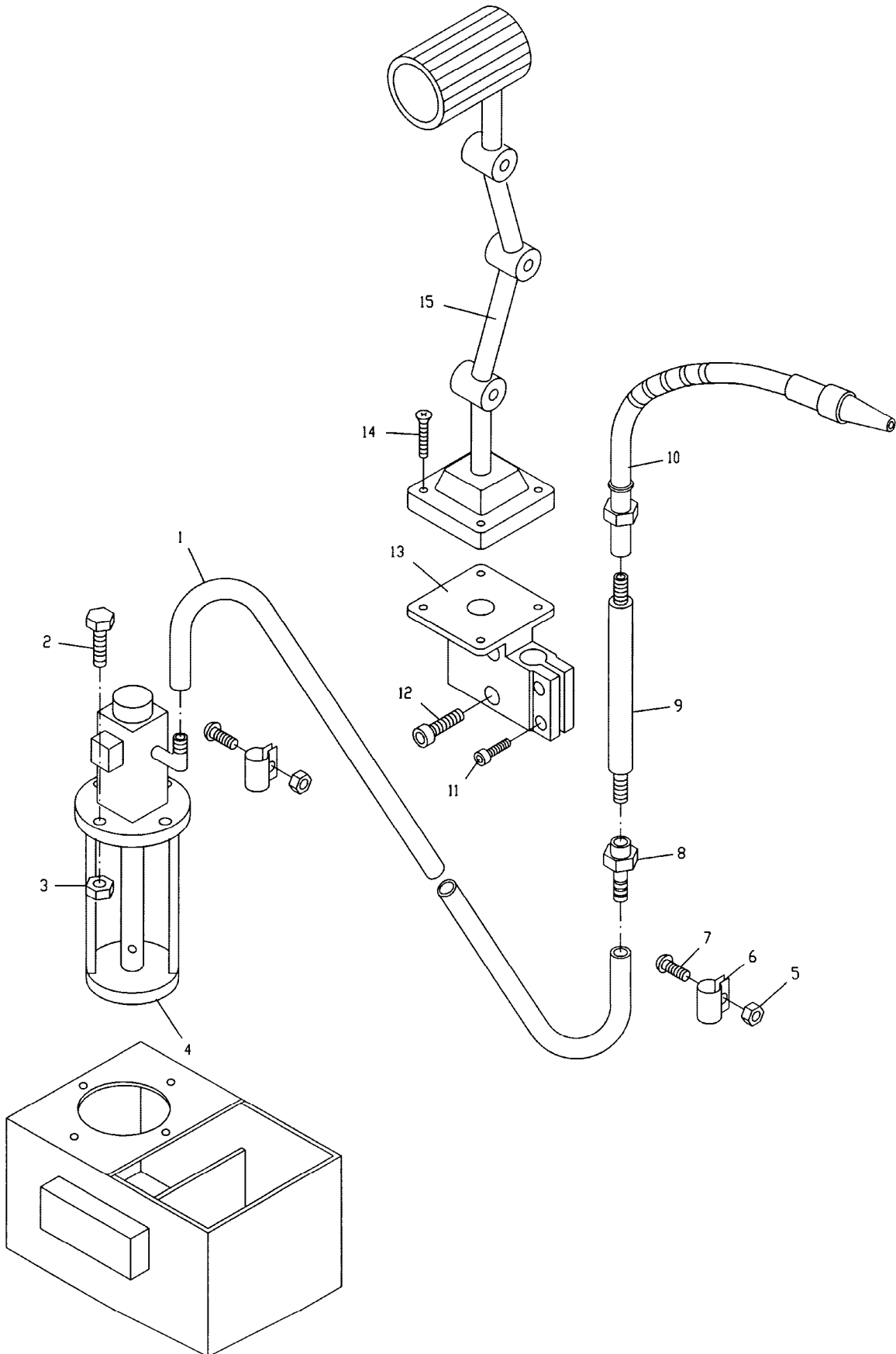
# Follow Rest Assembly



## Follow Rest Assembly

Index No.	Part No.	Description	Size	Qty.
.....	ZX-FRA14.....	Follow Rest Assembly, 14" (includes #1-7,9) .....		
.....	ZX-FRA16.....	Follow Rest Assembly, 16" (includes #1-7,9) .....		
.....	ZX-FRA18.....	Follow Rest Assembly, 18" (includes #1-7,9) .....		
.....	ZX-FRA22.....	Follow Rest Assembly, 22" (includes #1-7,9) .....		
1.....	ZX-10710.....	Screw.....		2
2.....	ZX-10704.....	Nut.....		2
3.....	ZX-10707.....	Sliding Sleeve.....		2
4.....	ZX-10301.....	Supporting Piece.....		2
5.....	ZX-FR05.....	Slotted Set Screw.....	M6x10.....	2
6.....	ZX-10705.....	Locking Screw.....		2
7.....	ZX-10706.....	Handle.....		2
8.....	ZX-FR8.....	Hex Cap Bolt.....	M12x55.....	2
9.....	ZX-10102A.....	Follow Rest Casting (for 14" models) .....		1
.....	ZX-10102B.....	Follow Rest Casting (for 16" models) .....		1
.....	ZX-10102C.....	Follow Rest Casting (for 18" models) .....		1
.....	GH2280ZX-10102.....	Follow Rest Casting (for 22" model).....		1

# Coolant & Work Light Assembly

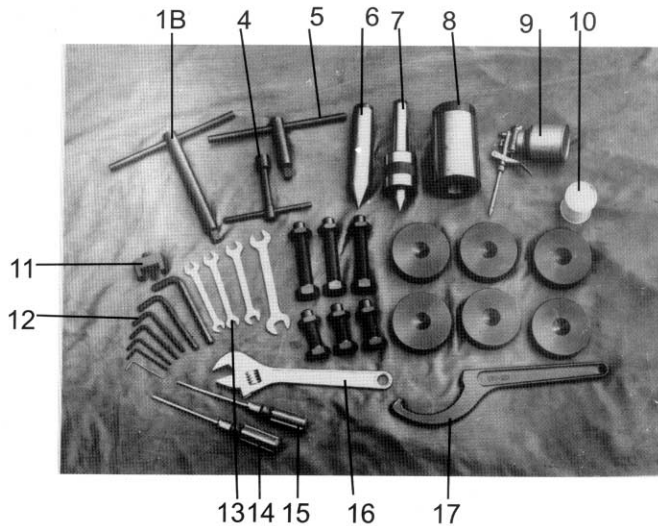
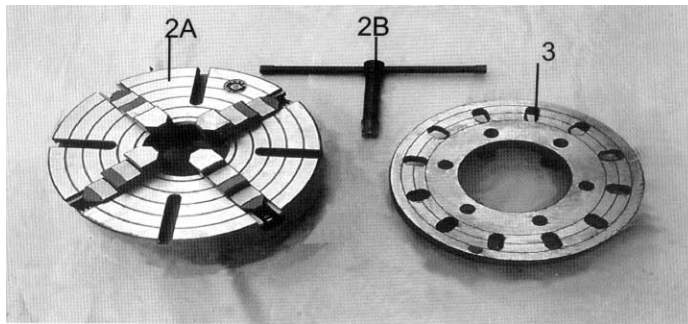


## Coolant & Work Light Assembly

Index No.	Part No.	Description	Size	Qty.
1.....	RT-001A .....	Rubber Tube (for 1440/1640/1840ZX).....	ID 1/2"x1280mm.....	1
.....	RT-001B .....	Rubber Tube (for 1460/1660/1860ZX).....	ID 1/2"x1780mm.....	1
.....	RT-001C .....	Rubber Tube (for 1880/2280ZX) .....	ID 1/2"x2280mm.....	1
2.....	ZX-CW02.....	Hex Cap Bolt .....	M5x25 .....	4
3.....	ZX-CW03.....	Hex Nut .....	5.....	4
4.....	ZX-CW04.....	Coolant Pump.....		1
5.....	ZX-CW05.....	Hex Nut .....	M6.....	2
6.....	ZX-01727 .....	Clip For Rubber Tube .....		2
7.....	ZX-CW07.....	Half Round Head Screw .....	M6x16 .....	2
8.....	ZX-01728.....	Fitting .....		1
9.....	ZX-01729.....	Flow Pipe .....		1
10.....	ZX-CW10.....	Coolant Device .....		1
.....	ZX-CW10-1.....	Coolant Tap .....	G 3/8" .....	1
11 .....	TS-1514021 .....	Hex Socket Cap Screw .....	M6x16 .....	2
12.....	TS-1515051 .....	Hex Socket Cap Screw .....	M8x40 .....	2
13.....	ZX-CW13.....	Lamp Support.....		1
14.....	ZX-S04 .....	Cross Head Screw.....	M6x14 .....	4
15.....	ZX-CW15.....	Lamp Frame.....		1
.....	ZX-CW16.....	Bulb.....	50W, AC24V .....	1
.....	ZX-LA .....	Light Assembly (includes # 13-15) .....		

## Other Parts

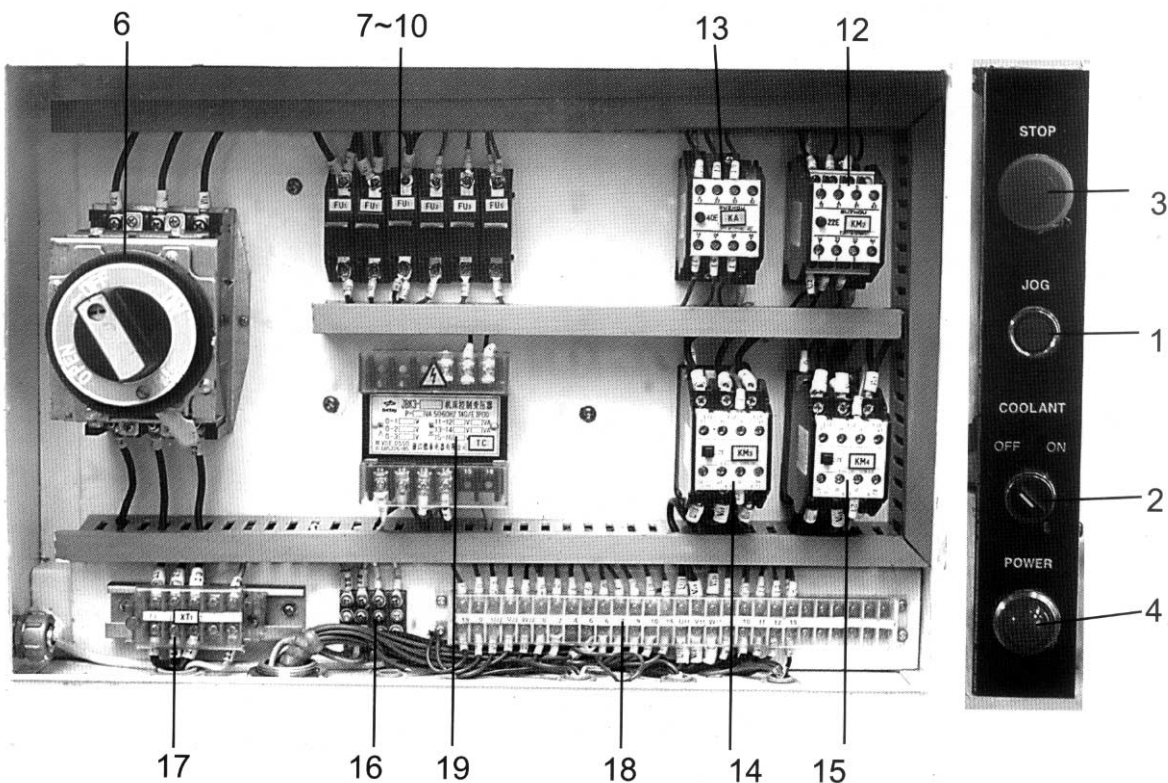
Index No.	Part No.	Description	Size	Qty.
1A	ZX-OP-1A	3-Jaw Chuck (mounted on lathe)	10", D1-8	1
1B	ZX-OP-1B	Chuck Wrench		1
2A	ZX-OP-2A	4-Jaw Chuck	12", D1-8	1
2B	ZX-OP-2B	Chuck Wrench		1
3	ZX-OP-03	12" Face Plate (for 14"/16" models)		1
	ZX-OP-03N	16" Face Plate (for 18"/22" models)		1
4	ZX-OP-04	Tool Tightening Wrench		1
5	ZX-OP-05	Cam Tightening Wrench		1
6	ZX-OP-06	Center		1
7	ZX-OP-07	MT-4 Live Center (for 14"/16" models)		1
	ZX-OP-07N	MT-5 Live Center (for 18"/22" models)		1
8	ZX-OP-08	Morse Reduction Sleeve		1
9	ZX-OP-09	Oil Gun		1
10	ZX-OP-10	Touchup Paint Can		1
11	ZX-OP-11	Gap Bridge Pin Driver		1
12	ZX-OP-12	Hex Wrench	2.5,4,5,6,8,10	1
13	ZX-OP-13	Double End		1
14	ZX-OP-14	Flat Blade Screw Driver		1
15	ZX-OP-15	Cross Point Screw Driver		1
16	ZX-OP-16	Adjustable Wrench		1
17	ZX-OP-17	Round Nut Wrench		1
	ZX-18TBCP	Tool Box Complete (not shown)	ZX-18"	1



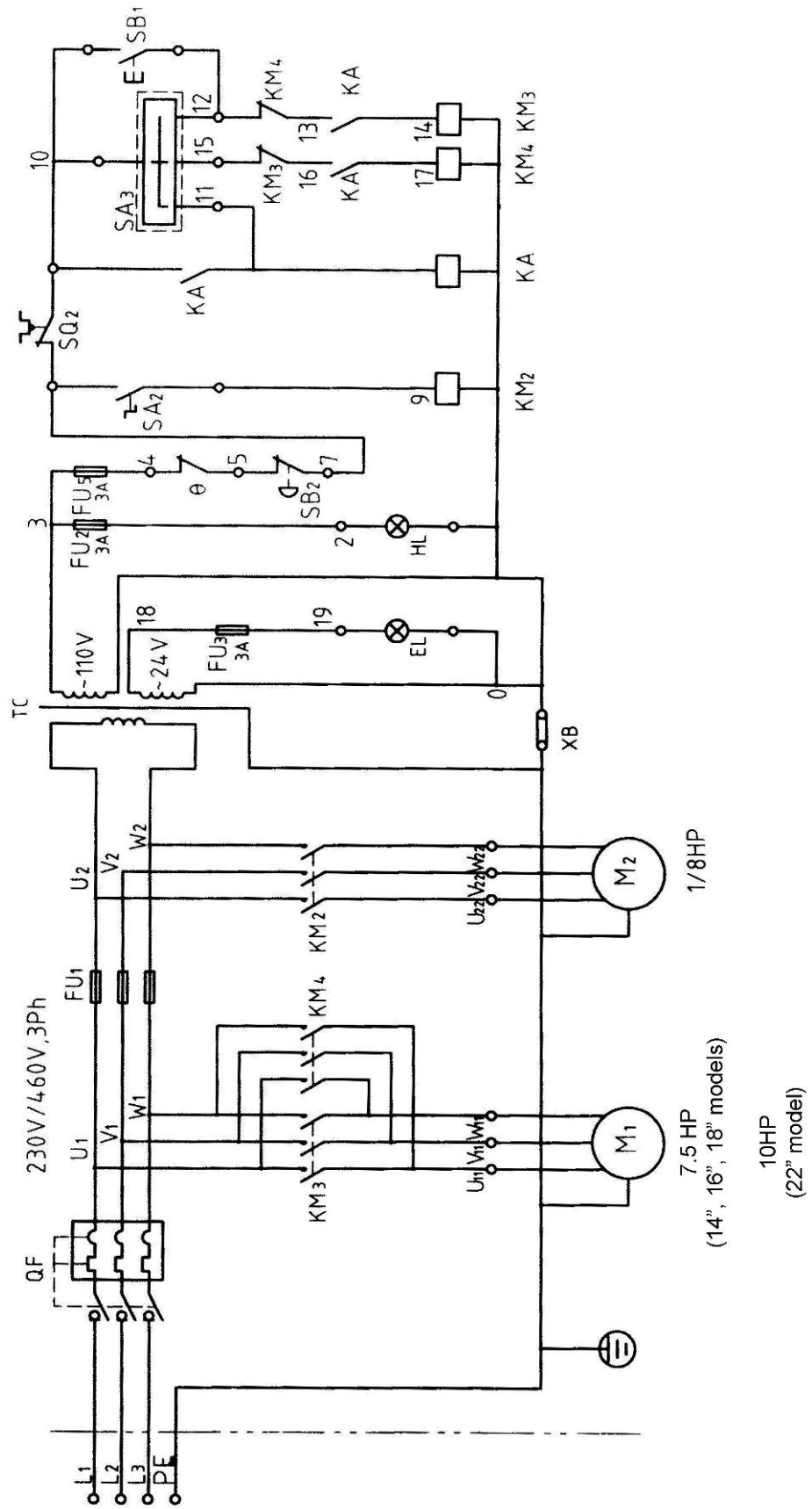


## Electrical Cabinet

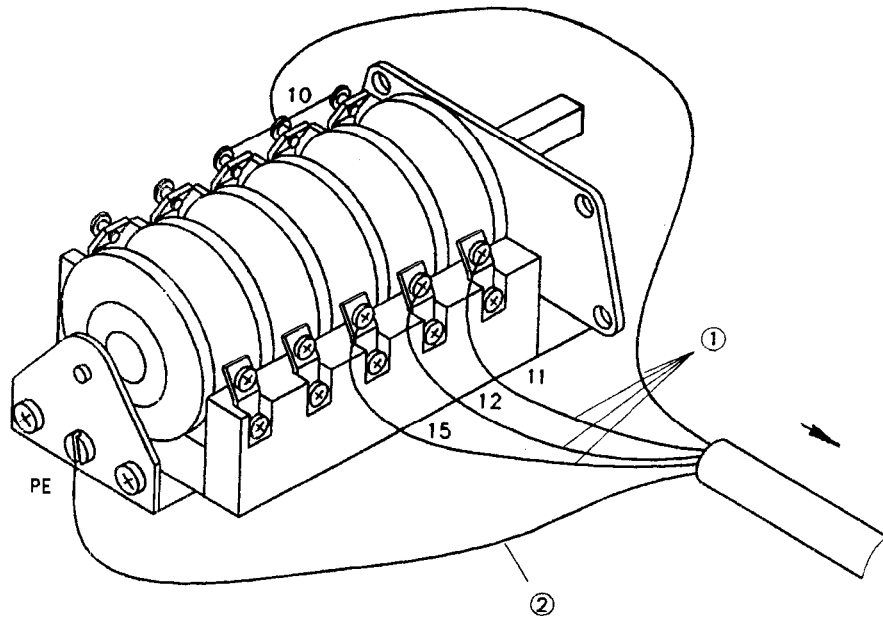
Index No.	Part No.	Description	Size	Qty.
1	ZX-SB1	Jog Button	LAY3-11	1
2	ZX-SA2	Coolant Control Button	LAY3-11X/2	1
3	ZX-SB2	Emergency Stop	LAY3-012S/1	1
4	ZX-HL	Power Indicator Light	XD11-30/20	1
5	ZX-SA3	Rotary Switch	HZ3-452	1
6	ZX-QF	Master Switch (40A)	D215-40	1
7	ZX-FU1	Fuse (3A)	JRT1-16A	1
8	ZX-FU2	Fuse (2A)	JRT1-16A	1
9	ZX-FU3	Fuse (2A)	JRT1-16A	1
10	ZX-FU5	Fuse (2A)	JRT1-16A	1
	ZX-FB	Fuse Block		1
11	ZX-Q	Temperature Relay	JW6	1
12	ZX-KM2	A.C. Contactor	3TB40	1
13	ZX-KA	A.C. Contactor	3TB80	1
14	ZX-KM3	A.C. Contactor (for 14,16,18" models)	3TB43	1
	GH-2280ZX-KM3	A.C. Contactor (for 22" models)	3TB44	1
15	ZX-KM4	A.C. Contactor (for 14,16,18" models)	3TB43	1
	GH-2280ZX-KM4	A.C. Contactor (for 22" models)	3TB44	1
16	ZX-XB	Copper Plate (for grounding)		1
17	ZX-XT1	Wiring Board	JT1	1
18	ZX-XT2	Wiring Board	JX0	1
19	ZX-TC	Control Transformer	JBK3-100-TH	1
20	ZX-SQ2	Stroke Switch	LXW5-11N1	1



# Wiring Diagram



## Rotary Switch Diagram



1.....The Cord from the Wiring Board (part no. ZX-XT2)

2.....The Grounding Wire from the Copper Plate (part no. ZX-XB)