

Hedge Trimmer - 0 603 221 534 - 3221L

www.powertools-aftersaleservice.com

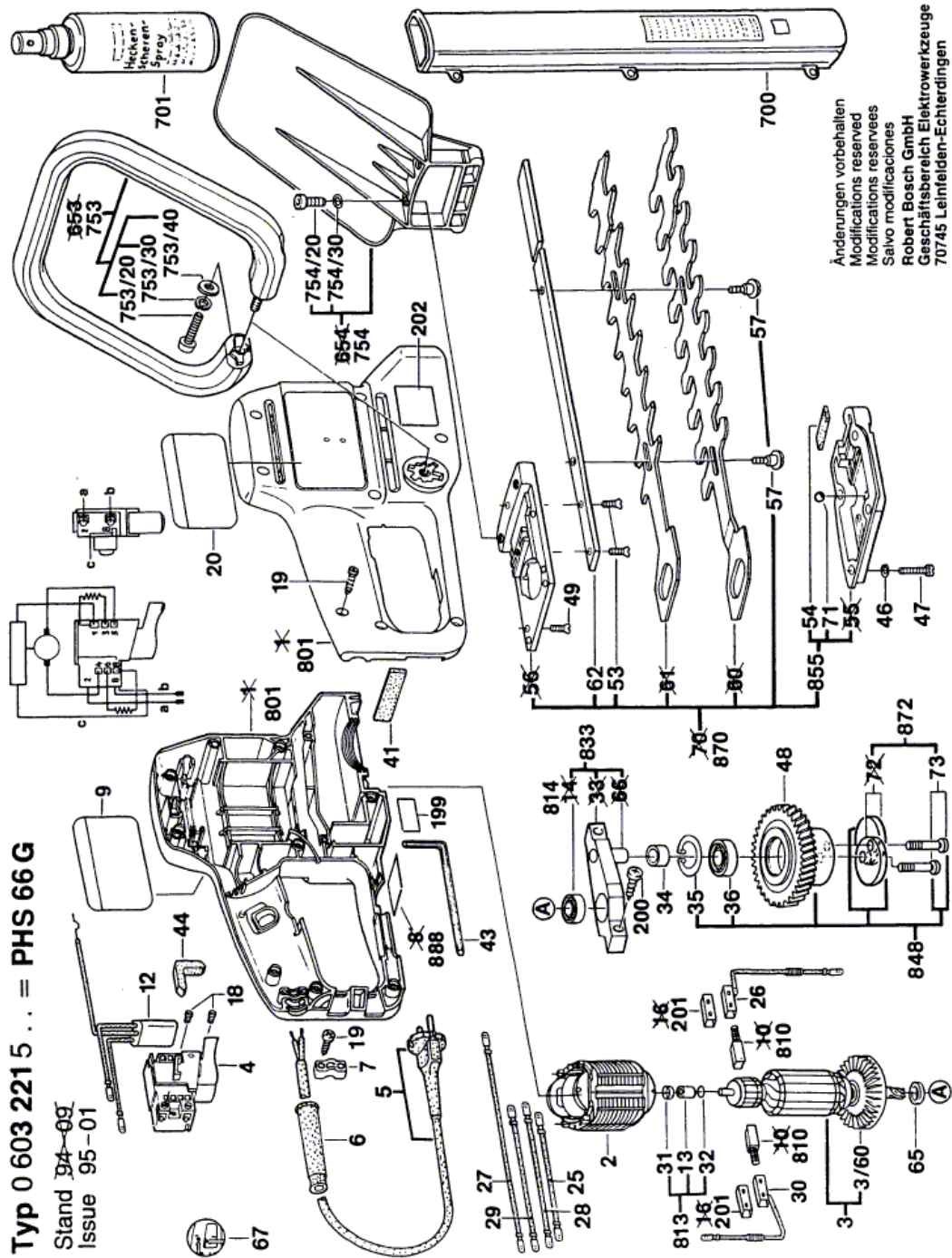


BOSCH

Item	Part Number	Description	Illustration	Price	Quantity	Price Group
	1 2 605 104 256	Housing Section BLUE		1	-,-	1 33
	2 2 604 220 432	Field 115V		1	-,-	1 29
	3 2 604 010 603	Armature 115V		1	-,-	1 36
	3/60 2 606 610 027	Fan		1	-,-	1 14
	4 2 607 200 134	On-Off Switch		1	-,-	1 23
	5 2 604 460 156	Power supply cord		1	-,-	1 -
	6 1 600 703 016	Grommet Ø6,4-Ø7,5x75 MM		1	-,-	1 11
	6 2 600 703 008	Grommet Ø8,2 MM		1	-,-	1 11
	7 2 601 035 001	Cable Clip		1	-,-	1 11
	9 2 601 110 927	Sticker SUNNY SIDE		1	-,-	1 14
	18 2 603 410 001	Socket head cap screw M3x6,5-4.8		1	-,-	2 11
	19 2 603 490 022	Screw 4x16		1	-,-	10 10
	20 2 601 110 925	Sticker SHADOW SIDE		1	-,-	1 16
	26 2 604 448 030	Cable L=81 MM WHITE		1	-,-	1 11
	27 2 604 448 057	Cable L=249 MM BLUE		1	-,-	1 11
	28 2 604 448 112	Connector Cable L=203MM WHITE		1	-,-	1 11
	29 2 604 448 045	Cable L=98 MM BLACK		1	-,-	1 11
	31 1 600 205 023	Felt Washer		1	-,-	1 11
	32 1 610 210 014	O-Ring 8,0x2,5 MM		1	-,-	1 11
	34 2 600 200 023	Spacer Ring		1	-,-	1 11
	35 2 916 660 012	Spring retaining ring 30x1,2MM, DIN 472		1	-,-	1 11
	36 2 600 905 028	groove ball bearing		1	-,-	1 22
	41 2 601 005 008	Felt Strip		1	-,-	1 11
	43 1 907 950 006	Offset Screwdriver DIN 911-SW5 BLACK		1	-,-	1 16
	44 2 601 022 000	Damping Plate		1	-,-	1 11
	47 2 603 410 018	Pan head screw M4x22 MM		1	-,-	4 11
	48 2 606 320 039	Clutch Element		1	-,-	1 38
	49 2 910 871 122	Countersunk-Head Screw DIN 965-M4x12-8.8		1	-,-	2 12
	53 2 603 421 006	Countersunk-Head Screw		1	-,-	2 13
	54 2 601 005 002	Felt Strip		1	-,-	1 11
	57 2 603 413 031	Thread-forming tap. Screw		1	-,-	5 12
	57 2 603 413 004	Pan head screw		1	-,-	5 15
	58 2 600 100 647	Shim 1,0 MM		N/A	-,-	5 11

Item	Part Number	Description	Illustration	Price	Quantity	Price Group
59	2 915 061 004	Hex Nut DIN 985-M6-8	N/A	-,-	5	11
62	2 601 038 034	Guide 660MM BLACK	1	-,-	1	28
65	2 600 209 003	Spacer Ring	1	-,-	1	12
71	1 903 230 007	Ball DIN 5401-4 MM-III-ST	1	-,-	1	11
73	2 603 123 018	Driving Pin	1	-,-	2	14
200	2 603 490 024	Torx Oval-Head Screw 4x25	1	-,-	2	11
201	2 604 330 016	Brush Holder	1	-,-	2	11
202	1 601 110 449	Nameplate CAUTION	1	-,-	1	11
205	2 603 490 022	Screw 4x16	N/A	-,-	1	10
700	1 605 411 023	Dust Bag	1	-,-	1	-
701	1 609 200 399	Oil Spray Tin	1	-,-	1	-
753	2 602 025 059	Auxiliary Handle BLACK	1	-,-	1	27
753/20	2 910 141 201	Hex Socket Head Cap Screw DIN 912-M6x20-8.8	1	-,-	1	13
753/30	2 916 690 005	Spring Lock Washer M6	1	-,-	1	11
753/40	2 916 011 014	Plain Washer DIN 125-A 6,4-ST	1	-,-	1	10
754	2 607 001 042	Protective Shield	1	-,-	1	23
754/20	2 910 141 197	Hex Socket Head Cap Screw DIN 912-M6x16-8.8	1	-,-	1	10
754/30	2 916 061 007	Spring Washer DIN 137-A6-FST	1	-,-	1	10
810	2 604 321 909	Carbon-Brush Set	1	-,-	1	22
813	1 600 301 900	Sintered-Metal Bushing	1	-,-	1	15
814	2 600 905 039	groove ball bearing 9x24x7	1	-,-	1	26
833	2 605 807 910	Bearing Bracket	1	-,-	1	27
848	2 606 320 900	Overload Clutch	1	-,-	1	41
855	2 605 500 904	Gear Cover	1	-,-	1	19
855	2 605 500 904	Gear Cover	1	-,-	1	19
857	2 607 010 136	Parts Set	N/A	-,-	1	-
870	2 607 001 064	Set of knives	1	-,-	1	-
870	2 607 001 123	Set of knives ORANGE	1	-,-	1	46
870	2 607 001 073	Set of knives	1	-,-	1	-
872	2 600 030 900	Eccentric Disc	1	-,-	1	21
888	1 601 11A 3H3	Nameplate	1	-,-	1	13

Illustration - Type E



Information subject to change without further notice.