



Model No.:	Stock No.:
Serial No.:	
Purchased From:	
Date Purchased:	Date Installed:

Parts List and Electrical Diagrams

For Lathe models BDB-1340A, GHB-1340A, GHB-1440A



(GHB-1340A shown)

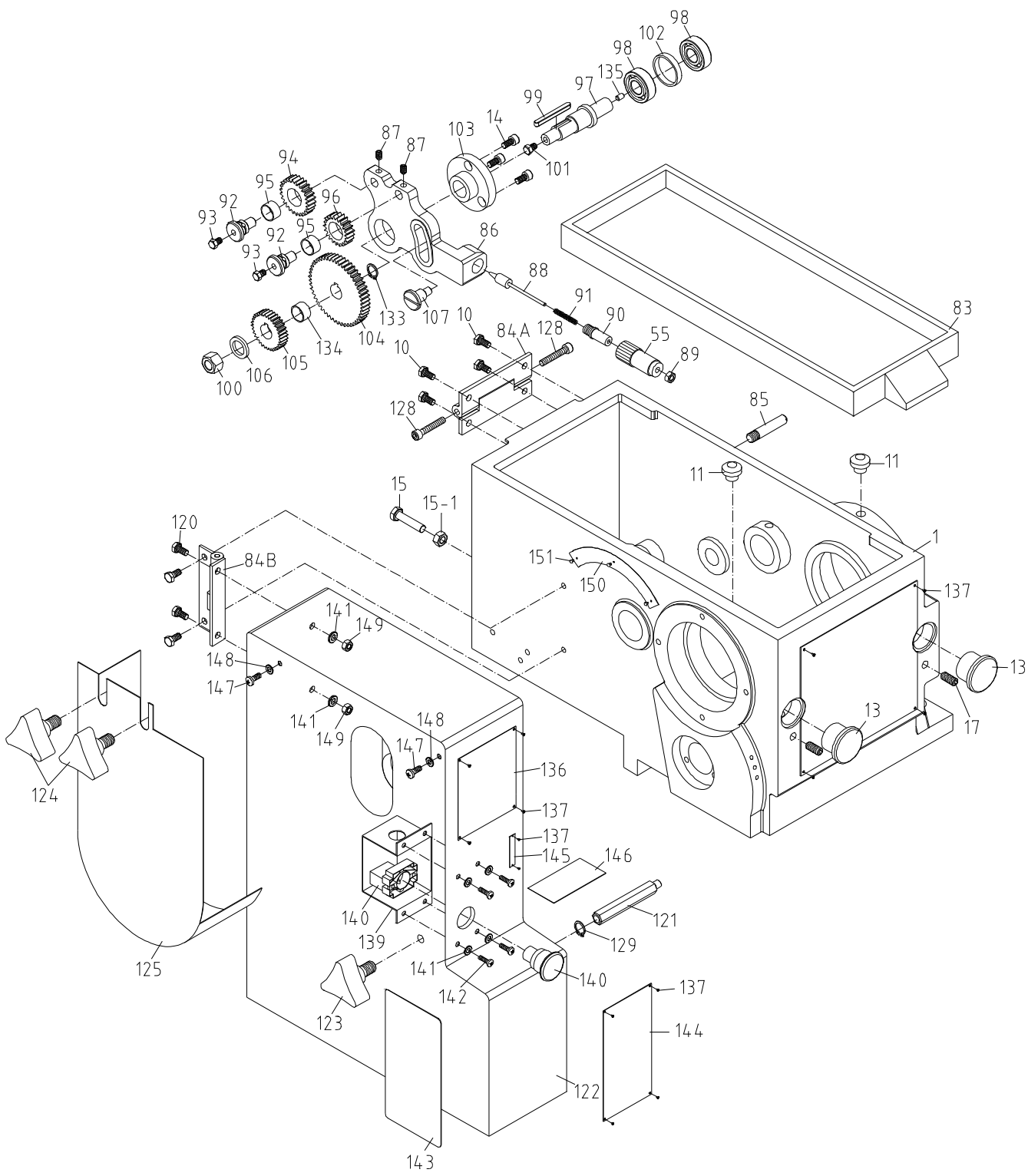
For GHB-1340A/1440A Operating Instructions, see document M-321357A-1
For BDB-1340A Operating Instructions, see document M-321360A

JET

427 New Sanford Road
LaVergne, Tennessee 37086
Ph : 800-274-6848
www.jettools.com

Part No. M-321357A
Revision J 05/2016
Copyright © 2016 JET

1.0 BDB-1340A Headstock Assembly I – Exploded View



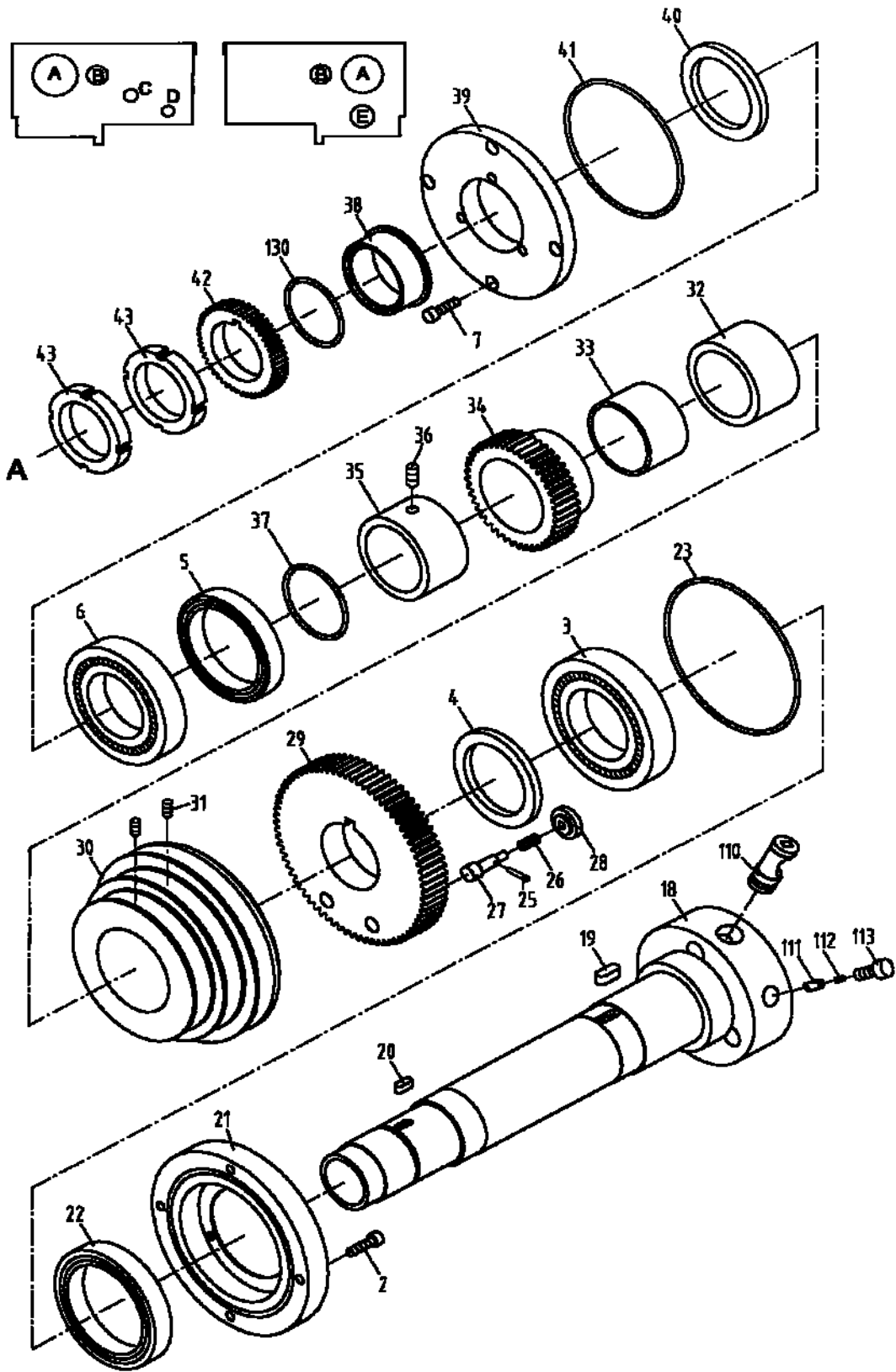
1.1 BDB-1340A Headstock Assembly I – Parts List

Index No	Part No	Description	Size	Qty
1	04101BG	Headstock Casting		1
10	TS-1482021	Hex Socket Cap Screw	M6x12	4
11	04501A	Inlet Plug		2
13	BDB1340-H13	Oil Sight Glass		2
14	TS-1503031	Hex Socket Cap Screw	M6x12	3
15	TS-1490061	Hex Cap Bolt	M8x35	2
15-1	TS-1540061	Nut	M8	2
17	BDB1340-H17	Screw	1/8"	2
55	04733B	Knob		1
83	04310G	Cover		1
84A	04723A	Cover Hinge		1
84B	04723B	End Cover Hinge		1
85	04705	Strut		1
86	BDB1340A-02118AG	Arm		1
87	TS-1523031	Set Screw	M6x10	2
88	04725B	Plunger		1
89	BDB1340-H89	Cap Nut		1
90	04734B	Spring Sleeve		1
91	BDB1340-H91	Spring	1x9x50	1
92	04721	Idle Shaft		2
93	BDB1340-H93	Oil Nipple		2
94	04719	Gear	1.5m26T	1
95	04303	Bushing		2
96	04720	Gear	1.5m21T	1
97	BDB1340A-02717A	Output Shaft		1
98	BB-6202ZR	Ball Bearing	6202ZR	2
99	BDB1340A-H99	Key	5x5x50	1
100	TS-1540081	Hex Nut	M12	1
101	BDB1340-H93	Oil Nipple		1
102	04716	Spacer		1
103	04119A	Flange		1
104	BDB1340A-02718A	Gear	1.5m50T	1
105	GH1340A-05735	Gear	1.25m32T	1
	GHB1340A-CG2	Gear	1.25m48T	1
	GHB1340A-CG1	Gear	1.25m44T	1
106	BDB1340-H106	Washer		1
107	04714	Bolt		1
120	TS-1482021	Cap Screw	M6x12	4
121	BDB1340A-02722A	Stud		1
122	BDB1340A-02305AG	End Cover		1
123	BDB1340-H123	Knob		1
124	BDB1340-H124	Knob		2
125	04724G	Cover		1
127	BDB1340-H127	Rubber Mat (serial #1509B1613A and lower)		1
128	TS-1503081	Hex Socket Cap Screw	M6x35	2
129	BDB1340-H129	C-Clip	8	1
133	BDB1340A-H133	C-clip for Shaft	19	1
134	BDB1340A-02124	Spacer		1
135	BDB1340A-H135	Plug	5	1
136	BDB1340A-H136	Sign Plate (serial #1509B1613A and lower)		1
	LM000207	Feed Chart (serial #1604B1614A and higher)		1
137	BDB1340A-H137	Half Round Cap Screw (serial #1509B1613A and lower)	M3x5	8
	GB2672-M3x6	Screw (serial #1604B1614A and higher)	M3x6	14
138	BDB1340A-H138	Sign Plate (serial #1509B1613A and lower)		1
	LM000209	Headstock Plate (serial #1604B1614A and higher)		1

1.1 BDB-1340A Headstock Assembly I – Parts List

Index No	Part No	Description	Size	Qty
139	BDB1340A-18703	Emergency Stop Housing (serial #1604B1614A and higher)		1
140	BDB-SB1	Emergency Stop (serial #1604B1614A and higher) ZB2-BS54C		1
141	TS-1550041	Plain Washer (serial #1604B1614A and higher) 6mm		6
142	GB2672- M6x8	Hex Lobular Soc Pan Hd Screw (serial #1604B1614A and higher) M6x8		4
143	LM000205	Thread Dial Chart (serial #1604B1614A and higher)		4
144	LM000206	Threading Chart (serial #1604B1614A and higher)		1
145	C0632-06306-2	Plate (serial #1604B1614A and higher)		1
146	LM000201	Caution Label – Change Direction (serial #1604B1614A and higher)		1
147	5512797	Screw (serial #1604B1614A and higher) M5x25		2
148	TS-1550031	Plain Washer (serial #1604B1614A and higher) 5mm		2
149	TS-1540031	Hex Nut (serial #1604B1614A and higher) M5		2
150	LM000202	Hi/Lo Label (serial #1604B1614A and higher)		1
151	JHM610-151	Rivet (serial #1604B1614A and higher) M2x3		3

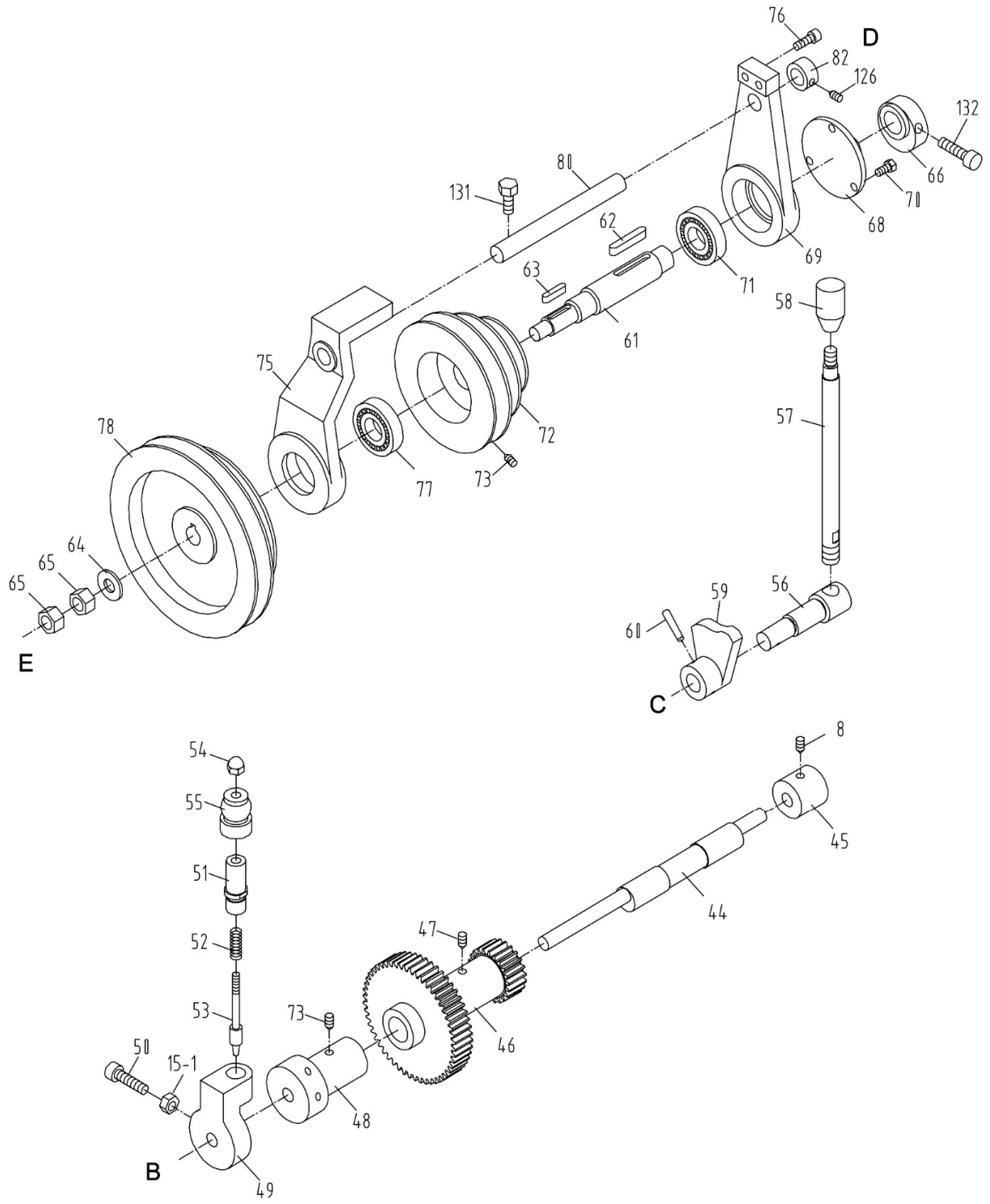
2.1 BDB-1340A Headstock Assembly II – Exploded View



2.2 BDB-1340A Headstock Assembly II – Parts List

Index No	Part No	Description	Size	Qty
2	TS-1503051	Hex Socket Cap Screw	M6x22	4
3	BB-30212	Taper Roller Bearing	60x110x22	1
4	BDB1340-H4	Oil Seal	PG60x80x12	1
5	OS-709012	Oil Seal	SG70x90x12	1
6	BB-30211	Taper Roller Bearing	55x100x21	1
7	TS-1503041	Hex Socket Cap Screw	M6x16	4
18	04701	Spindle	D1-4	1
19	BDB1340-H19	Key	8x7x18	1
20	BDB1340-H20	Key	6x6x16	1
21	04102G	Bearing Cover (front)		1
22	BDB1340-H22	Oil Seal	75x100x12	1
23	BDB1340-H23	O-Ring	125x3.1	1
25	BDB1340-H25	Shaft Pin	3x18	1
26	BDB1340-H26	Spring	0.8x11x18	1
27	04703	Pin		1
28	04702	Nut		1
29	04117A	Gear	2m74T	1
30	04116	Pulley		1
31	TS-1523031	Set Screw	M6x10	2
32	04302	Bushing		1
33	04301	Bushing		1
34	04115	Gear	2m44T	1
35	04114	Spacer		1
36	TS-1524021	Set Screw	M8x6	1
37	BDB1340-H37	O-Ring	60x3.1	1
38	04112A	Spacer		1
39	04113	Bearing Cover (rear)		1
40	BDB1340-H40	Oil Seal	W60x80x8	1
41	BDB1340-H41	O-Ring	110x3.1	1
42	04713	Gear	1.5m50T	1
43	04743	Locking Nut		2
110	04729	Cam		3
111	04741	Pin		3
112	BDB1340-H112	Spring	0.6x4x16	3
113	TS-1504041	Hex Socket Cap Screw	M8x18	3
130	BDB1340-H130	O-Ring	55x3.1	1

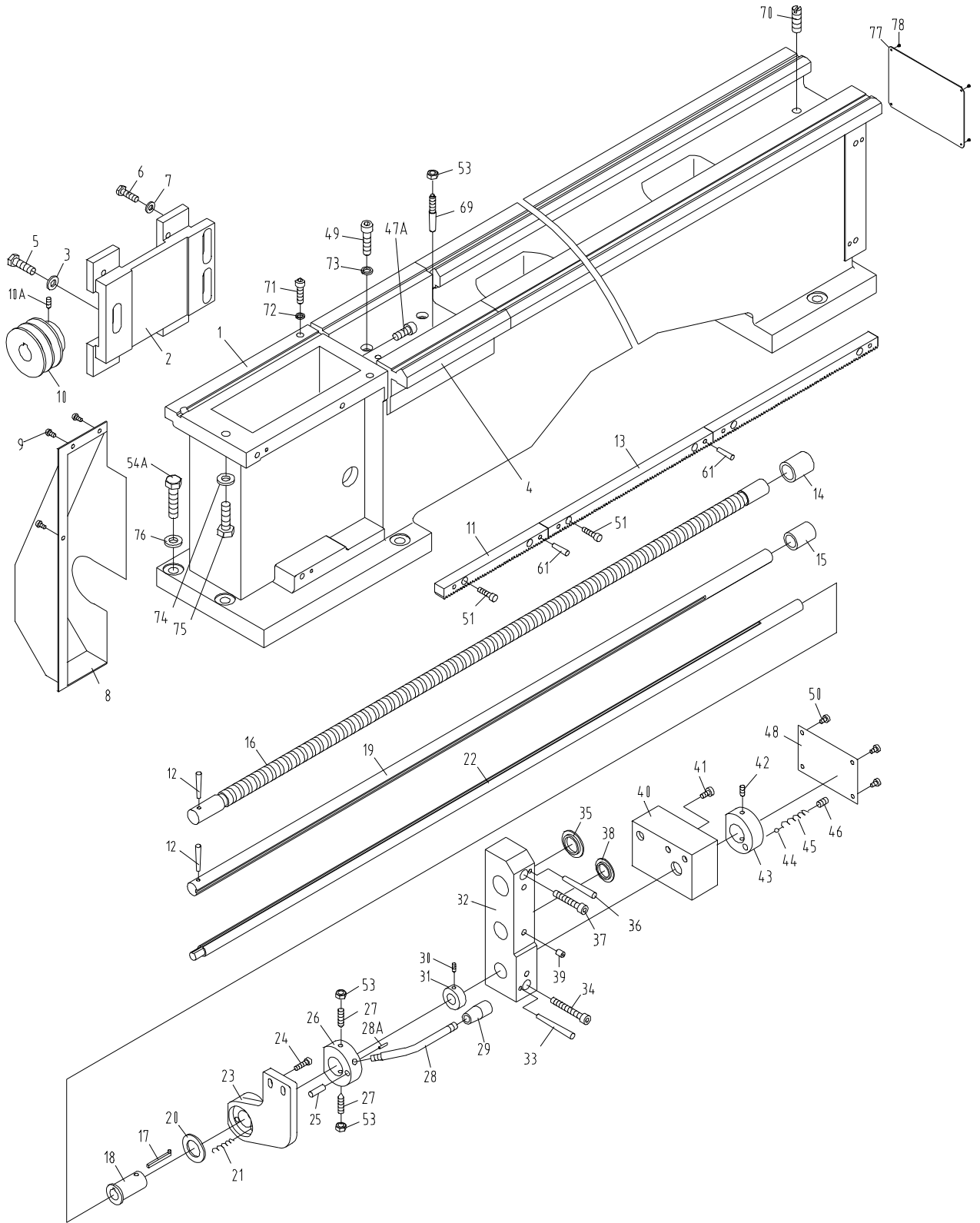
3.1 BDB-1340A Headstock Assembly III – Exploded View



3.2 BDB-1340A Headstock Assembly III – Parts List

Index No	Part No	Description	Size	Qty
8	TS-1524021	Set Screw	M8x10	1
15-1	TS-1540061	Nut	M8	1
44	.04704	Eccentric Shaft		1
45	.04103A	Bushing		1
46	.04109A	Gear	2m52T,2m22T	1
47	TS-1523011	Set Screw	M6x6	1
48	.04111A	Bushing		1
49	.04110G	Moving Arm		1
50	TS-1504071	Hex Socket Cap Screw	M8x35	1
51	.04726	Sleeve		1
52	BDB1340-H52	Spring	1x9x40	1
53	.04725	Shaft		1
54	BDB1340-H54	Cap Nut	M6	1
55	.04733B	Knob		1
56	.04706	Shaft		1
57	.04707	Lever		1
58	BDB1340-H58	Knob		1
59	.04104A	Cam		1
60	BDB1340-H60	Spring Pin	5x30	1
61	.04712	Input Shaft		1
62	BDB1340-H62	Key	6x6x40	1
63	BDB1340-H63	Key	5x5x25	1
64	TS-1550081	Washer	M12	1
65	TS-1540081	Hex Nut	M12	2
66	.04708	Cam		1
68	.04709	Strut		1
69	.04105A	Swing Arm		1
70	TS-1482021	Hex Socket Cap Screw	M6x12	3
71	BB-6204ZR	Ball Bearing	6204ZR	1
72	.04107	Pulley		1
73	TS-1524021	Set Screw	M8x8	2
75	.04106A	Swing Arm		1
76	TS-1503051	Hex Socket Cap Screw	M6x20	2
77	BB-6204	Ball Bearing	6204	1
78	BDB1340A-04108	Pulley		1
80	.04711	Shaft		1
82	.04710	Spacer		1
126	TS-1523011	Set Screw	M6x6	1
131	TS-1490041	Hex Cap Bolt	M8x25	1
132	TS-1504041	Hex Socket Cap Screw	M8x20	1
	BDB1340A-02311	Nameplate (not shown)		1
	BDB1340A-02304A	Nameplate (not shown)		1
	.04308	Nameplate (not shown)		1
	VB-B32	V-Belt (not shown)	B32	1
	VB-B33	V-Belt (not shown)	B33	1

7.1 Bed Assembly I – Exploded View



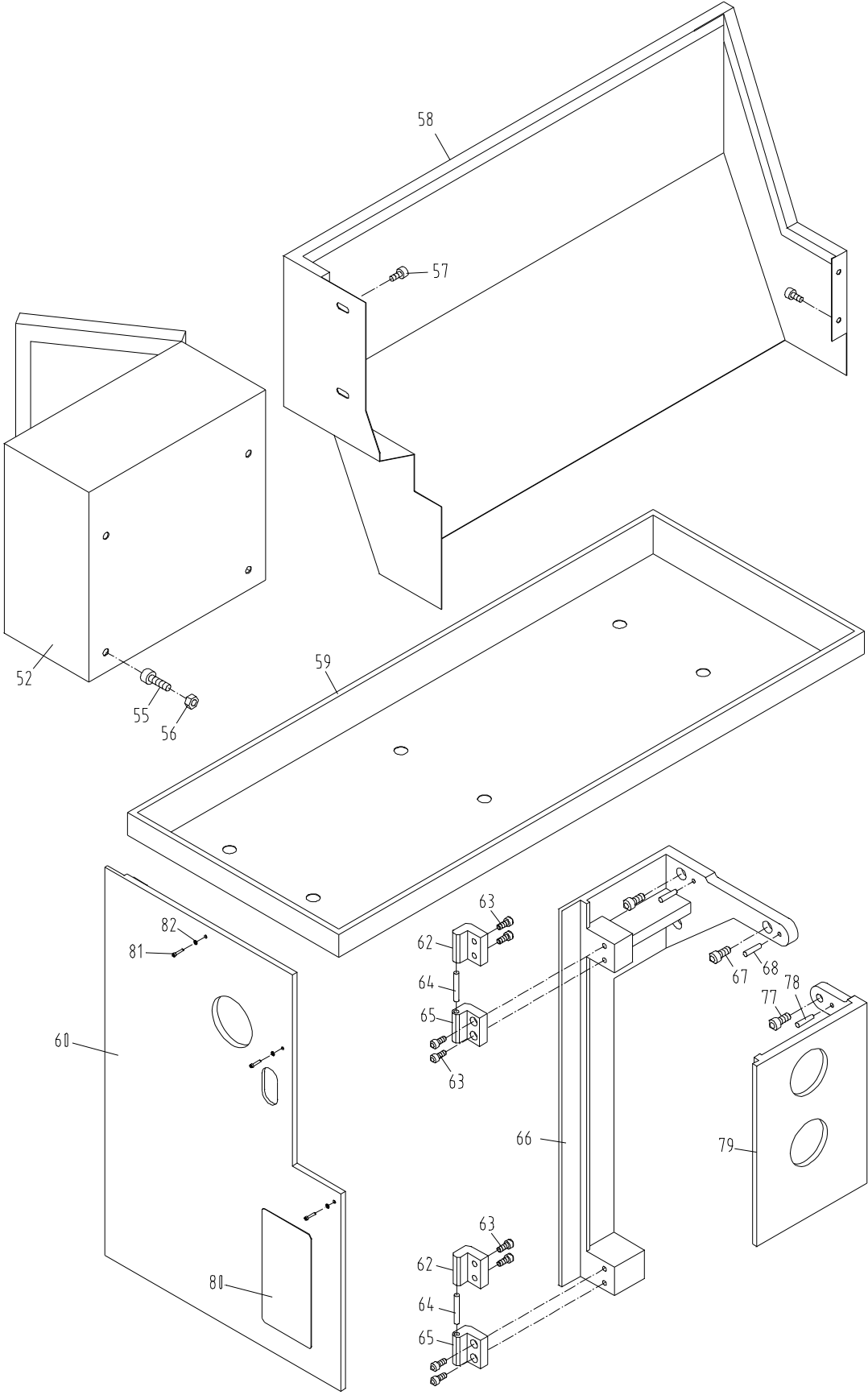
7.2 Bed Assembly I – Parts List

Index No	Part No	Description	Size	Qty
1	GHB1340A-01101G	Bed		1
2	GHB1340-MPG	Motor Base (For GHB)		1
	BDB1340-MPG	Motor Base (For BDB)		1
3	TS-1550071	Washer	M10	3
4	GHB1340-1102G	Gap Bridge		1
5	TS-1491051	Hex Cap Bolt	M10x35	3
6	TS-1490041	Hex Cap Bolt	M8x25	4
7	TS-1550061	Washer		4
8	GHB1340A-02703G	End Cover (GHB-1340A only)		1
	GHB1440A-02703G	End Cover (GHB-1440A only)		1
9	GHB1340A-9B	Screw	M5x8	3
10	GHB1340-MP	Pulley (For GHB)	28mm ID	1
	BDB1340-MP	Pulley (For BDB)	19mm ID	1
10A	TS-1523041	Set Screw	M6x12	1
11	01203	Rack		1
12	GHB1340A-12B	Pin	5x35mm	2
13	01204-2	Rack		2
14	32A1105	Collar		1
15	32A1106	Collar		1
16	GHB1340A-1701	Lead Screw	GHB-1340A	1
	BDB1340A-1701	Lead Screw	BDB-1340A	1
17	321728	Key		1
18	321706	Collar		1
19	GHB1340A-1702	Feed Rod	GHB-1340A	1
	BDB1340A-1702	Feed Rod	BDB-1340A	1
20	01707	Brake Ring		1
21	GHB1340A-21B	Spring	1x7.5x25	3
22	GHB1340A-1703	Shaft	GHB-1340A	1
	BDB1340A-1703	Shaft	BDB-1340A	1
23	32A1103AG	Bracket		1
24	TS-1503061	Hex Socket Cap Screw	M6x22	4
25	GHB1340A-25B	Pin	6x25mm	1
26	32A1710	Handle Hub		1
27	TS-1524061	Screw	M8x28	2
28	01710A	Handle		1
28A	GHB1340A-77	Pin	3x10	1
29	GHB1340A-29B	Knob	BM10x50	1
30	TS-1522031	Set Screw	M5x8	1
31	01708	Collar		1
32	32A1104AG	Bracket		1
33	GHB1340A-33B	Pin	6x70	1
34	TS-1504131	Hex Socket Cap Screw	M8x65	1
35	32A1502	Plug		1
36	GHB1340A-36B	Pin	6x65	2
37	TS-1504121	Hex Socket Cap Screw	M8x60	2
38	32A1502	Plug		1
39	GHB1340A-39B	Oil Ball	8mm	3
40	32A1301G	Switch Box		1
41	TS-1504041	Hex Socket Cap Screw	M8x20	4
42	TS-1523051	Screw	M6x16	1
43	32A1705	Bushing		1
44	SB-6MM	Steel Ball	6mm	1
45	GHB1340A-45B	Spring	1X5X22	1
46	TS-1524041	Screw	M8x16	1
47A	TS-1525021	Set Screw	M10x12	1
48	32A1504	Switch Box Cover		1
49	TS-1505051	Hex Socket Cap Screw	M10x35	4

7.2 Bed Assembly I – Parts List

Index No	Part No	Description	Size	Qty
50	TS-1502021	Socket Head Cap Screw	M5x10	4
51	TS-1503061	Hex Socket Cap Screw	M6x25	8
53	TS-1540061	Hex Nut	M8	4
54A	TS-1492061	Hex Cap Bolt	M12x60	6
61	GHB1340-61B	Pin	6x30	6
69	GHB1340-69B	Pin	8x60	2
70	GHB1340A-74B	Set Screw	M12x40	1
71	TS-1505051	Hex Socket Cap Screw (For BDB)	M10x35 (BDB)	2
	TS-1505061	Hex Socket Cap Screw (For GHB)	M10x40 (GHB)	2
72	TS-1551071	Lock Washer	10mm	4
73	TS-1551071	Lock Washer	10mm	4
74	TS-1550071	Washer	10mm	2
75	TS-1505071	Hex Socket Cap Screw	M10x45	2
76	TS-2360121	Washer	12mm	6
77	LM000211	Label-Induction Hardened (serial #16043259A and higher)		1
78	JHM610-151	Rivet (serial #16043259A and higher)	2x3mm	4

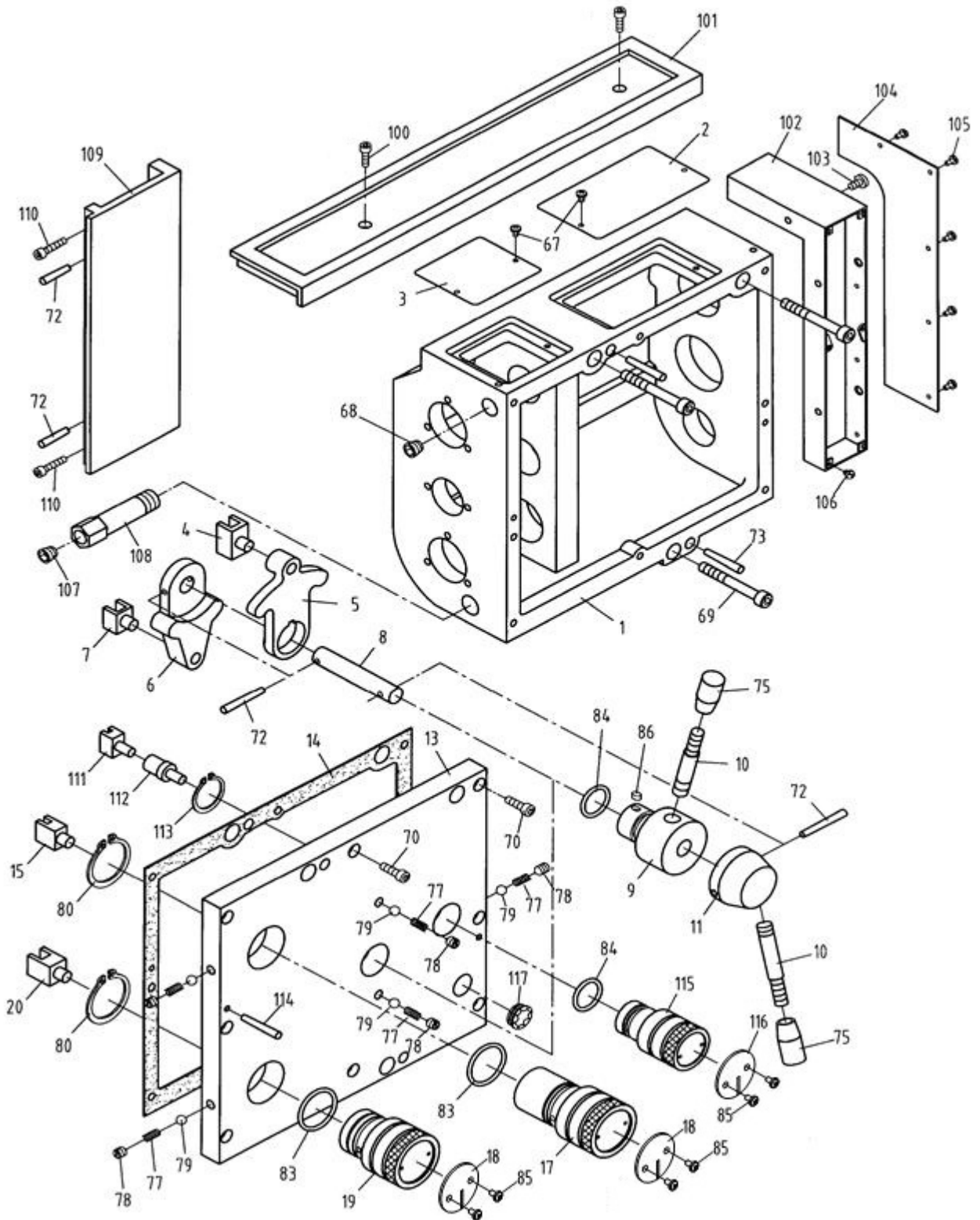
8.1 Bed Assembly II – Exploded View



8.2 Bed Assembly II – Parts List

Index No	Part No	Description	Size	Qty
52	GHB1340A-18701G	Electrical Box (For GHB)	GHB-1340A	1
	BDB1340A-18701G	Electrical Box (For BDB)	BDB-1340A	1
55	GHB1340A-55B	Screw	M6x20	4
56	GHB1340A-56B	Nut	M6	4
57	GHB1340A-57B	Screw	M6x10	4
58	GHB1340A-12701	Splash Guard (serial #11072601A and lower)	GHB-1340A	1
	GHB1340A-12701A	Splash Guard (serial #11082602A and lower)	GHB-1340A	1
	GHB1340A-12701AG	Splash Guard	GHB-1340A	1
	GHB1440A-12701G	Splash Guard	GHB-1440A	1
	BDB1340A-12701BG	Splash Guard	BDB-1340A	1
59	GHB1340A-01701	Oil Plate (serial #12042866A and lower)	GHB-1340A	1
	GHB1340A-01701BJ	Oil Plate (serial #12092867A and lower)	GHB-1340A	1
	GHB1340A-01701BJG	Oil Plate	GHB-1340A	1
	C0632-01727G	Oil Plate	GHB-1440A	1
	BDB1340A-01701B	Oil Plate (serial #1204B1274A and lower)	BDB-1340A	1
	BDB1340A-01701BJ	Oil Plate (serial #1205B1275A and lower)	BDB-1340A	1
	BDB1340A-01701BJG	Oil Plate	BDB-1340A	1
60	GHB1340A-02302G	Back Cover	GHB-1340A	1
	C0636A-01501G	Back Cover	GHB-1440A	1
62	ZX-8712	Upper Hinge		2
63	TS-1503041	Hex Socket Cap Screw	M6x14	8
64	GHB1340A-64B	Pin	10m6x40	2
65	ZX-8711	Lower Hinge		2
66	GHB1340A-02105G	Rear Side Plate	GHB-1340A	1
	GHB1440A-02105G	Rear Side Plate	GHB-1440A	1
67	TS-1504031	Hex Socket Cap Screw	M8x14	3
68	GHB1340A-68B	Pin	6x25 mm	2
77	TS-1502041	Hex Socket Cap Screw	M5x14	2
78	GHB1340A-78B	Pin	5x25 mm	2
79	GHB1340A-02104G	Front Side Plate	GHB-1340A	1
	GHB1440A-02104G	Front Side Plate	GHB-1440A	1
80	LM000200	ID/Warning Label (serial #16043259A and higher)		1
81	TS-1502061	Hex Socket Cap Screw	M5x25	3
82	TS-1550031	Plain Washer	5mm	3

9.1 Gear Assembly I – Exploded View



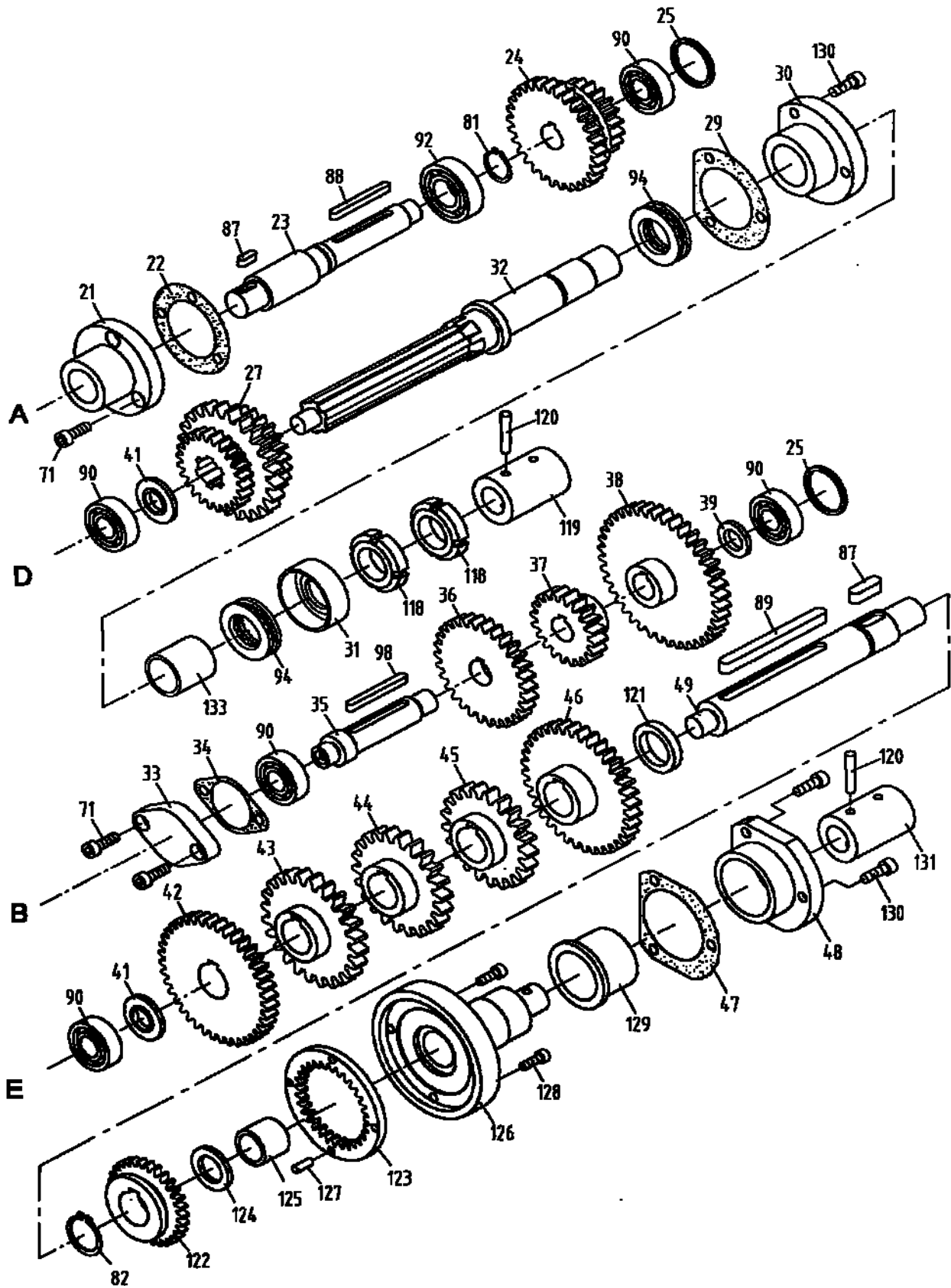
9.2 Gear Assembly I – Parts List

Index No	Part No	Description	Size	Qty
1	05101AG	Casting		1
2	05715G	Right cover		1
3	05720G	Left cover		1
4	32A5308	Slipper		1
5	32A5111A	Lever		1
6	32A5108A	Lever		1
7	32A5307	Slipper		1
8	32A5702	Shaft		1
9	32A5109G	Handle Base		1
10	32A5701G	Lever		2
11	32A5110G	Handle Base		1
13	GHB1340A-05106G	Cover		1
14	05504	Gasket		1
15	32A5305	Slipper		1
17	32A5106G	Lever		1
18	32A5302	Plate (serial #16013258A and lower)		2
	C0632B05302-2	Plate (serial #16043259A and higher)		2
19	32A5103G	Handle		1
20	32A5306	Slipper		1
67	GHB1340A-G67	Screw	M4x6	6
68	GHB1340A-G68	Tapered Tap	ZG3/8"	2
69	GHB1340A-G69	Socket Head Cap Screw	M8x65	3
70	TS-1503061	Socket Head Cap Screw	M6x25	8
72	GHB1340A-G72	Pin	5x30	4
73	GHB1340A-G73	Pin	5x40	2
75	07508	Knob		2
77	GHB1340A-G77	Spring	0.8x5x25	5
78	TS-1524021	Socket Set Screw	M8x10	5
79	SB-6 5MM	Steel Ball	6.5	5
80	GHB1340A-G80	C-clip	40	2
83	GHB1340A-G83	O-Ring	40x3.1	2
84	GHB1340A-G84	O-Ring	30x3.1	2
85	GHB1340A-G85	Screw (serial #16013258A and lower)	M3x6	6
	TS-1531012	Screw (serial #16043259A and higher)	M3x6	6
86	GHB1340A-G86	Key	5x8	1
99	GHB1340A-05503	Rubber Mat (GHB-1340A only) (serial #16013258A and lower)		1
	GHB1440A-05503	Rubber Mat (GHB-1440A only) (serial #16013258A and lower)		1
	BDB1340A-05503	Rubber Mat (BDB-1340A only) (serial #1509B1613A and lower)		1
100	TS-1502041	Socket Set Screw	M5x16	2
101	GHB1340A-05105G	Top Cover (GHB-1340A only)		1
	GHB1440A-05105G	Top Cover (GHB-1440A only)		1
	BDB1340A-05105G	Top Cover (BDB-1340A only)		1
102	05723G	Cover		1
103	GHB1340A-G103	Screw	M4x8	3
104	05722G	Plate		1
105	GHB1340A-G105	Screw	M3x5	5
106	GHB1340A-G106	Screw (serial #16013258A and lower)	M3x6	6
	TS-1531012	Screw (serial #16043259A and higher)	M3x6	6
107	GHB1340A-G107	Tapered Tap	Z1/4"	1
108	05724	Oil Drain Pipe		1
109	05108G	Extending Plate	GHB-1340A/1440A	1
110	TS-1502061	Socket Head Cap Screw	M5x25	2
111	05305	Slipper		1
112	05721	Slipper Shaft		1
113	GHB1340A-G113	C-clip	30	1
114	GHB1340A-G114	Pin	5x30	2
115	05107G	Lever		1

9.2 Gear Assembly I – Parts List

Index No	Part No	Description	Size	Qty
116	05304	Sign Disc (serial #16013258A and lower)		1
	GHB1340A-05304-2	Sign Disc (serial #16043259A and higher)		1
117	GHB1340A-G117	Oil Sight Glass (GHB-1340A, serial #10052363A and lower)	.12mm	1
	GHB1340A-G117	Oil Sight Glass (GHB-1440A, serial #08040097C and lower)	.12mm	1
	GHB1340A-G117	Oil Sight Glass (BDB-1340A, serial #1008B1083A and lower)	M27x1.5	1
	GHB1340A-160M	Oil Sight Glass (GHB-1340A, serial #10102364A and higher)	M27x1.5	1
	GHB1340A-160M	Oil Sight Glass (GHB-1440A, serial #10110098C and higher)	M27x1.5	1
	GHB1340A-160M	Oil Sight Glass (BDB-1340A, serial #1010B1084A and higher)	M27x1.5	1
	GHB1340A-05306	Sign Plate (not shown)	GHB-1340A	1
	GHB1440A-05306	Sign Plate (not shown)	GHB-1440A	1
	BDB1340A-05301	Sign Plate (not shown)	BDB-1340A	1

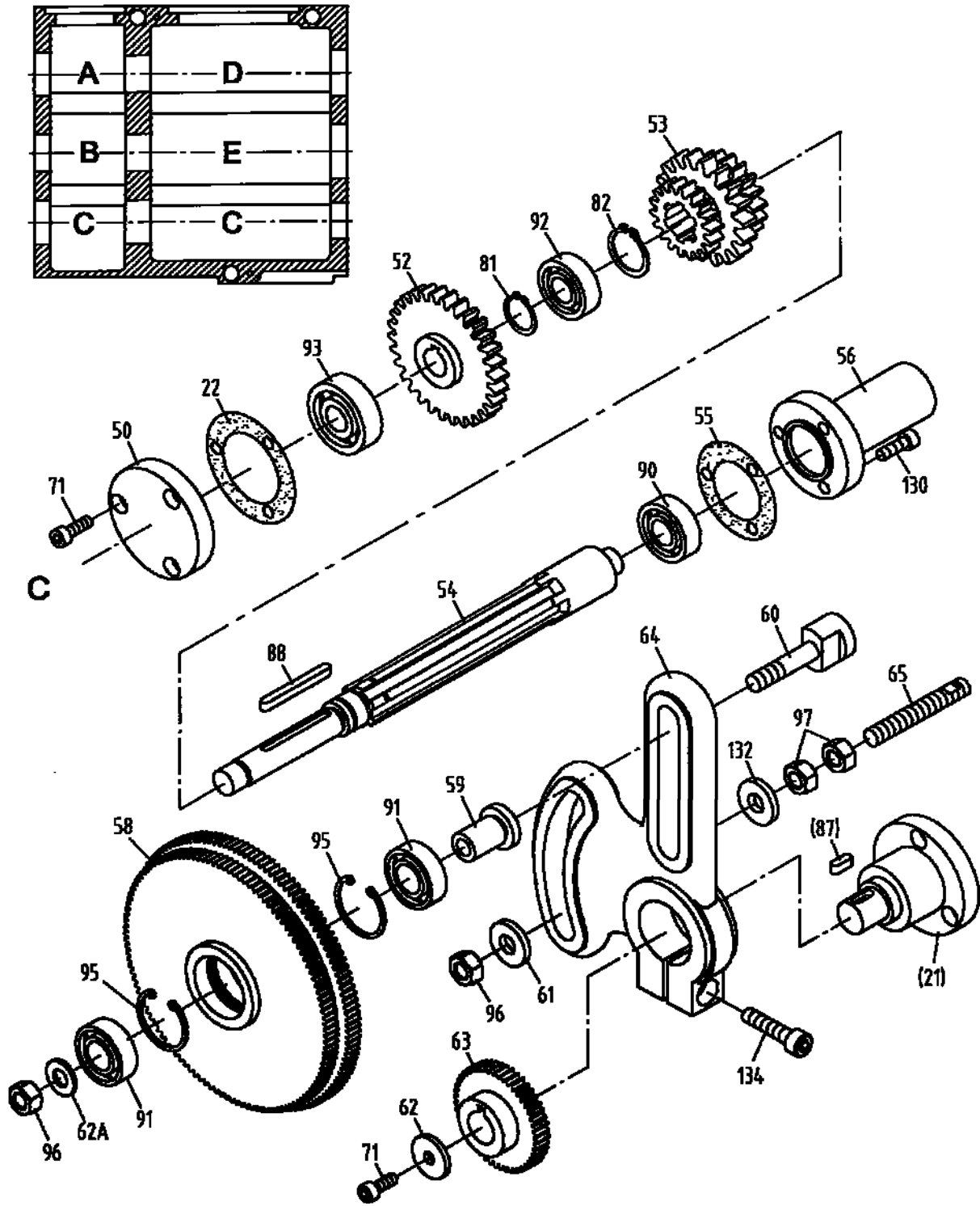
10.1 Gear Assembly II – Exploded View



10.2 Gear Assembly II – Parts List

Index No	Part No	Description	Size	Qty
21	32A5113	Cover		1
22	32A5503	Gasket		1
23	32A5712	Shaft		1
24	32A5710A	Gear	2.5m30T,20T	1
25	32A5719	Washer		2
27	05718	Gear	2.25m,3.25m,2.5m24T	1
29	05502	Gasket		1
30	05104	Bushing		1
31	05714	Washer		1
32	05716	Shaft		1
33	32A5114	End cover		1
34	32A5504	Gasket		1
35	32A5716	Shaft		1
36	32A5714A	Gear	2.5m30T	1
37	32A5715A	Gear	2.5m20T	1
38	32A5713A	Gear	2.5m40T	1
39	32A5708	Washer		2
41	05719	Washer		2
42	05702	Gear	2.25m40T	1
43	05703	Gear	3.25m24T	1
44	05704	Gear	3.25m22T	1
45	05705	Gear	3.25m21T	1
46	05706	Gear	2.5m36T	1
47	05501	Gasket		1
48	05103	Flange		1
49	05717	Shaft		1
71	TS-1504031	Socket Head Cap Screw	M6x16	5
81	GHB1340A-G81	C-clip	20	1
82	GHB1340A-G82	C-clip	25	1
87	GHB1340A-G87	Key	5x14	1
88	GHB1340A-G88	Key	5x50	1
89	GHB1340A-G89	Key	8x110	1
90	BB-6202	Bearing	6202	5
92	BB-6004	Bearing	6004	1
94	BB-51105	Thrust Bearing	51105	2
98	GHB1340A-G98	Key	5x55	1
118	GHB1340A-G118	Round Nut	M24x1.5	2
119	05713	Connecting Sleeve		1
120	GHB1340A-G120	Pin	5x35	4
121	05707	Washer		1
122	05708	Gear	2m30T	1
123	05709	Inner Gear	2m30T	1
124	05711	Washer		1
125	05302	Oil Light Bushing		1
126	05710	XIB Shaft		1
127	GHB1340A-G127	Pin	5n6x14	2
128	GHB1340A-G128	Screw	M5x10	2
129	05301	Sliding Bearing		1
130	TS-1503031	Socket Head Cap Screw	M6x12	6
131	GHB1340A-05712	Connecting Sleeve		1
133	05303	Bearing Housing		1

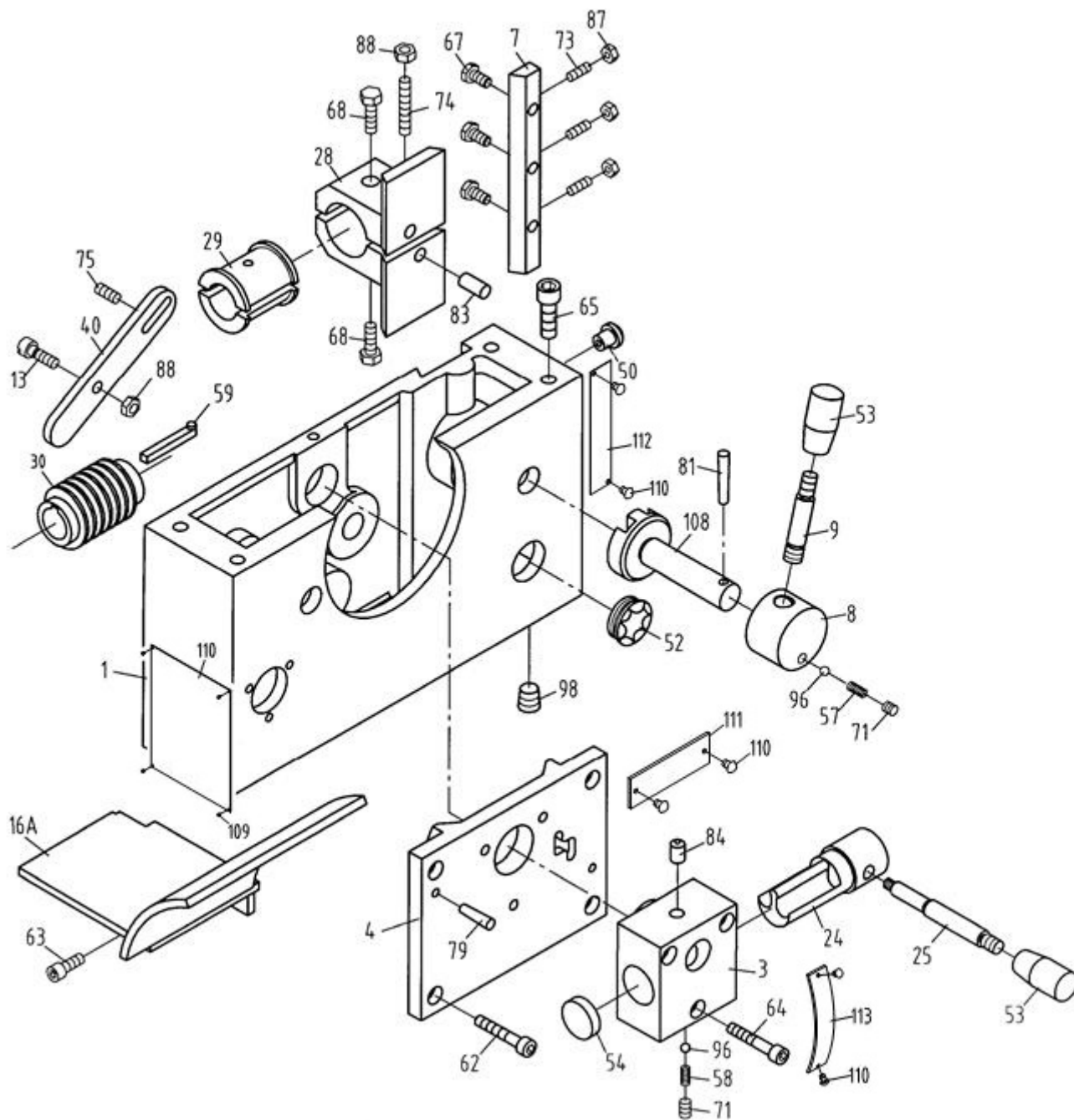
11.1 Gear Assembly III – Exploded View



11.2 Gear Assembly III – Parts List

Index No	Part No	Description	Size	Qty
21	32A5113	Cover		1
22	32A5503	Gasket		1
50	32A5115	End Cover		1
52	32A5718A	Gear	2.5m30T,15T	1
53	32A5721A	Gear	2.25m,3.25m,2.5m18T	1
54	05701	Key shaft		1
55	05505	Gasket		1
56	05102	Cover		1
58	40A5736	Gear	1.25m120T,127T	1
59	40A5738	Collar		1
60	40A5739	Screw		1
61	321719	Washer		1
62	40A5740	Washer		2
62A	40A5740A	Washer		1
63	32A5726A	Gear	1.25m48T	5
64	32A5119	Gear Frame		1
65	321718	Screw rod		1
71	TS-1504031	Socket Head Cap Screw	M6x16	4
81	GHB1340A-G81	C-clip	20	1
82	GHB1340A-G82	C-clip	25	1
87	GHB1340A-G87	Key	5x14	1
88	GHB1340A-G88	Key	5x50	1
90	BB-6202	Bearing	6202	1
91	BB-6003Z	Bearing	6003Z	2
92	BB-6004	Bearing	6004	1
93	BB-6302	Bearing	6302	1
95	GHB1340A-G95	C-clip	35	2
96	TS-1540071	Hex Nut	M10	2
97	TS-1540071	Hex Nut	M10	2
130	TS-1503031	Socket Head Cap Screw	M6x12	3
132	321719	Washer		1
134	GHB1340A-G134	Hex Socket Cap Screw	M8x30	1

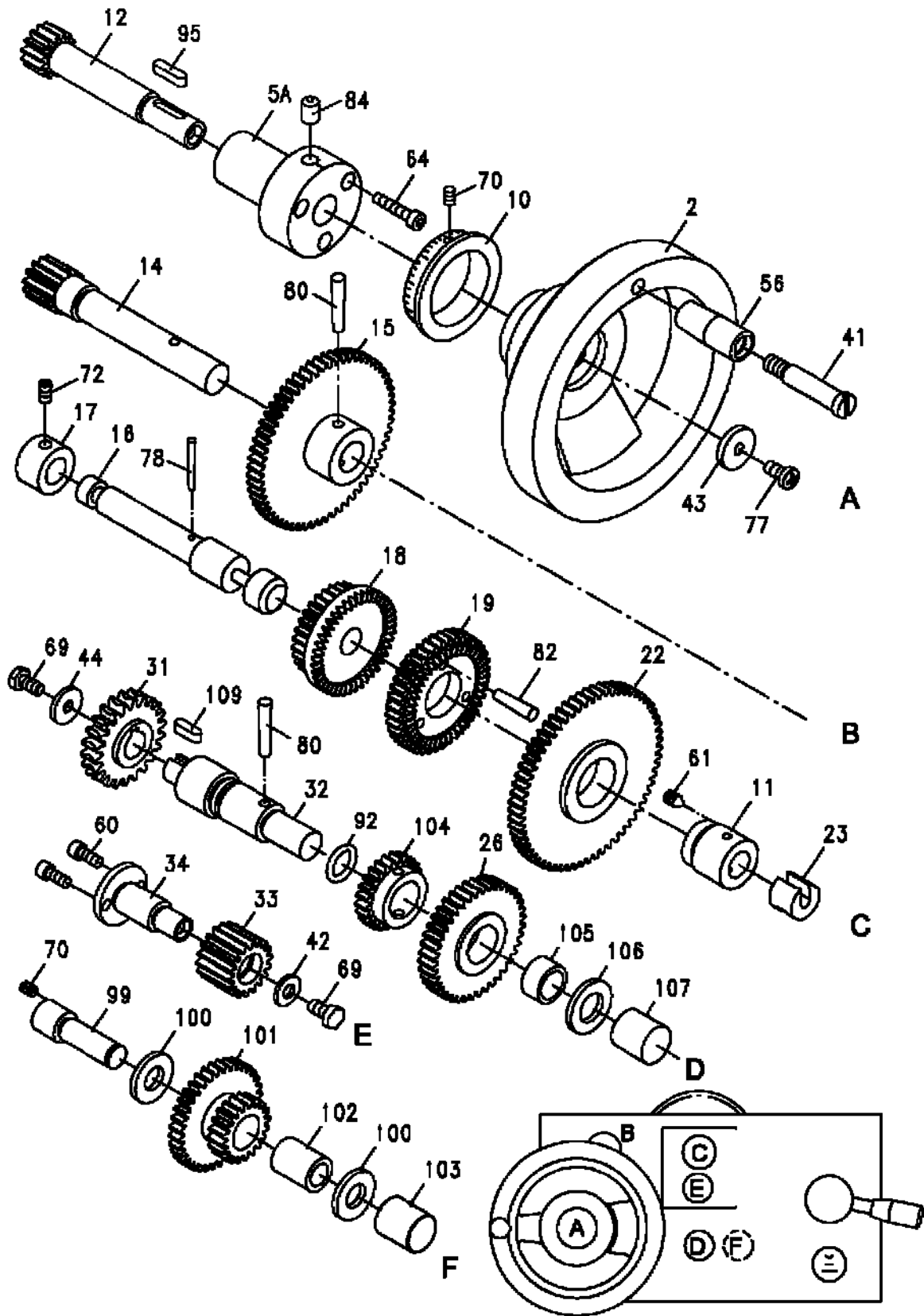
12.1 Apron Assembly I – Exploded View



12.2 Apron Assembly I – Parts List

Index No	Part No	Description	Size	Qty
1	GHB1340A-06101AG	Casting		1
3	06103G	Housing		1
4	06104G	Cover		1
7	06107	Gib		1
8	06208	Handle Hub		1
9	06209	Handle		1
13	06213	Gear Pin		1
16A	06415G	Bracket		1
24	06222	Shift Lever		1
25	06223	Shift Handle		1
28	06126	Bracket		1
29	06427	Half Nut		1
30	06228A	Worm	2m1T	1
40	06238	Bar		1
50	06548	Oil Filler Plug		1
52	06551	Oil Sight Glass (GHB-1340A, serial #10052363A and lower)		1
	06551	Oil Sight Glass (GHB-1440A, serial #08040097C and lower)		1
	06551	Oil Sight Glass (BDB-1340A, serial #1008B1083A and lower)		1
	GHB1340A-160M	Oil Sight Glass (GHB-1340A, serial #10102364A and higher)	M27x1 5	1
	GHB1340A-160M	Oil Sight Glass (GHB-1440A, serial #10100098C and higher)	M27x1 5	1
	GHB1340A-160M	Oil Sight Glass (BDB-1340A, serial #1010B1084A and higher)	M27x1 5	1
53	GHB1340-147	Knob	M8x40	2
54	Z06554	Plug "A"		1
57	06257	Spring		1
58	06258	Spring		1
59	06260	Key		1
62	TS-1503031	Hex Socket Cap Screw	M6x12	4
63	TS-1503041	Hex Socket Cap Screw	M6x16	1
64	TS-1503081	Hex Socket Cap Screw	M6x35	3
65	TS-1504061	Hex Socket Cap Screw	M8x30	4
67	GHB1340-A67	Screw	M5x16	3
68	TS-1523041	Set Screw	M6x12	2
71	TS-1523011	Set Screw	M6x6	3
73	TS-1522051	Set Screw	M5x16	3
74	GHB1340-A74	Set Screw	M6x35	1
75	TS-1523031	Set Screw	M6x10	1
79	GHB1340-A79	Pin	5x20	2
81	GHB1340-A81	Pin	5x32	1
83	GHB1340-A83	Pin	8n6x12	2
84	GHB1340-A84	Oiler	8	2
87	TS-1540031	Hex Nut	M5	3
88	TS-1540041	Hex Nut	M6	2
96	SB-5MM	Steel Ball	5	2
98	GHB1340A-A98	Plug	Z1/4"	1
108	06261	Half Nut Controlling Shaft		1
109	GHB1340A-6305A-1	Plate (serial #16043259A and higher)		1
110	JHM610-151	Rivet (serial #16043259A and higher)	2x3mm	10
111	LM000204	Feed Selector Label (serial #16043259A and higher)		1
112	LM000203	Thread Engagement Label (serial #16043259A and higher)		1
113	C0632-01308-1	Plate (serial #16043259A and higher)		1

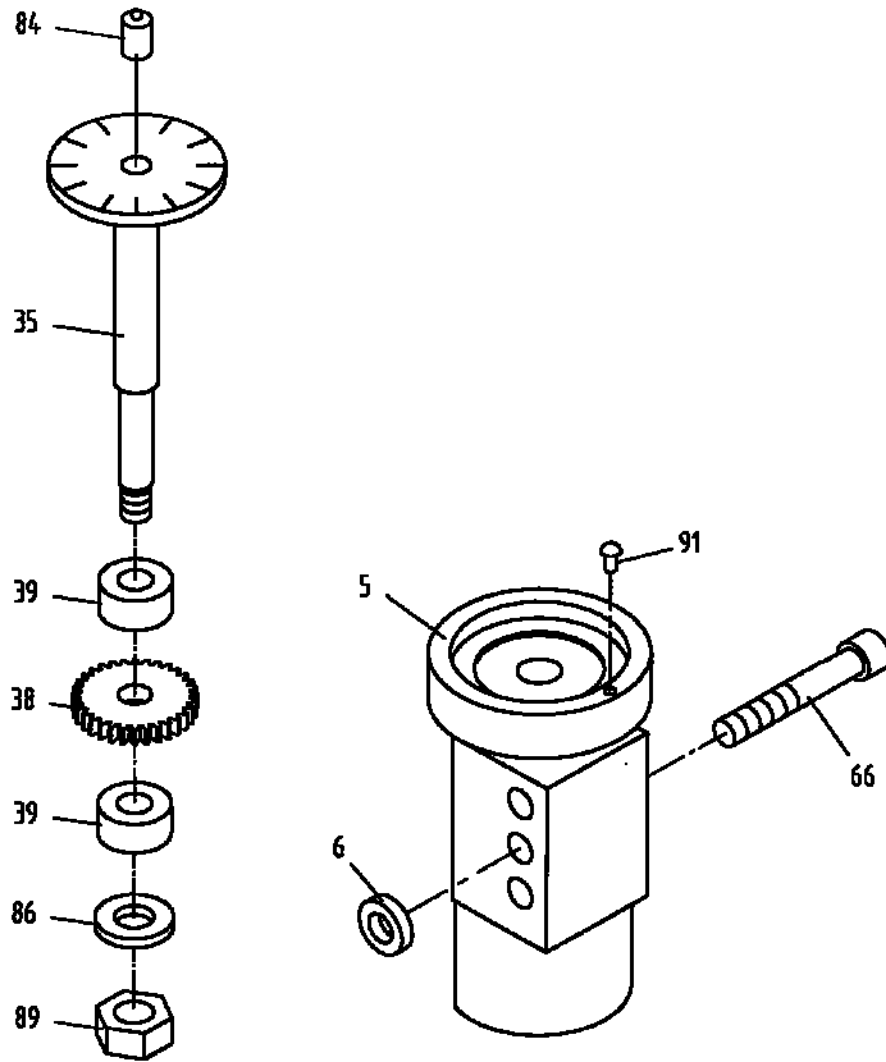
13.1 Apron Assembly II – Exploded View



13.2 Apron Assembly II – Parts List

Index No	Part No	Description	Size	Qty
2	06102G	Handwheel		1
5A	06105A	Hub		1
10	06510	Index Ring		1
11	Z06111	Cover		1
12	06212	Shaft	1.5m14T	1
14	06214	Gear Shaft	1.5m13T	1
15	06215	Gear	1.5m60T	1
16	06216	Shaft		1
17	06417	Collar		1
18	06218	Gear	1.5m30T	1
19	06219	Gear	1.5m40T	1
22	06220	Gear	1.5m46T	1
23	06421	Shift Fork		1
26	GHB1340A-06704	Gear	1.5m40T	1
31	06429A	Gear	2m22T	1
32	GHB1340A-06714	Shaft		1
33	06231	Gear	1.5m18T	1
34	06232	Shaft		1
41	06239G	Screw		1
42	TS-1550041	Washer		1
43	Z06241	Washer		1
44	06242	Washer		1
56	06556G	Handle		1
60	TS-1502031	Hex Socket Cap Screw	M5x12	2
61	TS-1523011	Set Screw	M6x6	1
64	TS-1503061	Hex Socket Cap Screw	M6x25	3
69	TS-1503021	Screw	M6x10	2
70	TS-1522011	Set Screw	M5x6	2
72	TS-1523031	Set Screw	M6x10	1
77	GHB1340-A77	Screw	M6x12	1
78	GHB1340-A78	Pin	3x25	1
80	GHB1340-A80	Pin	5x30	2
82	GHB1340-A82	Pin	5x25	3
84	GHB1340-A84	Oiler	8	1
92	GHB1340-A92	O-Ring	20x24	2
95	GHB1340-A95	Key	A5x18	1
99	GHB1340A-06732	Shaft		1
100	GHB1340A-06114	Washer		2
101	GHB1340A-06734	Gear	1.5m20T36T	1
102	GHB1340A-06115	Collar		1
103	GHB1340A-A103	Shaft Plug		1
104	GHB1340A-06731	Gear	1.5m24T	1
105	GHB1340A-06113	Collar		1
106	GHB1340A-06111	Washer		1
107	GHB1340A-06112	Shaft Plug		1
109	GHB1340A-A109	Key	5x12	1

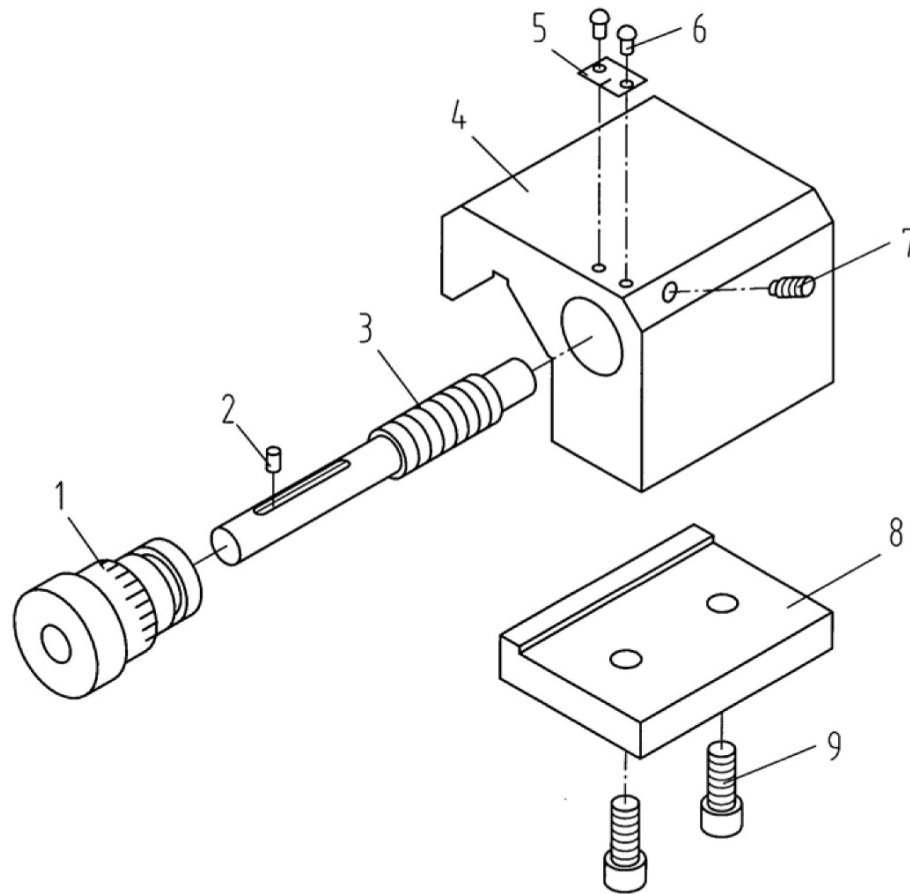
14.1 Apron Assembly III – Exploded View



14.2 Apron Assembly III – Parts List

Index No	Part No	Description	Size	Qty
5	Z06105G	Threading Dial Body		1
6	06206	Washer		1
35	06233	Threading Dial Shaft		1
38	06236	Gear	1m32T	1
39	06237	Spacer		2
66	TS-1504101	Hex Socket Cap Screw	M8x50	1
84	GHB1340-A84	Oiler	8	1
86	GHB1340-A86	Lock Washer	M8	1
89	TS-1540061	Hex Nut	M8	1
91	GHB1340-A91	Rivet	3x8	1

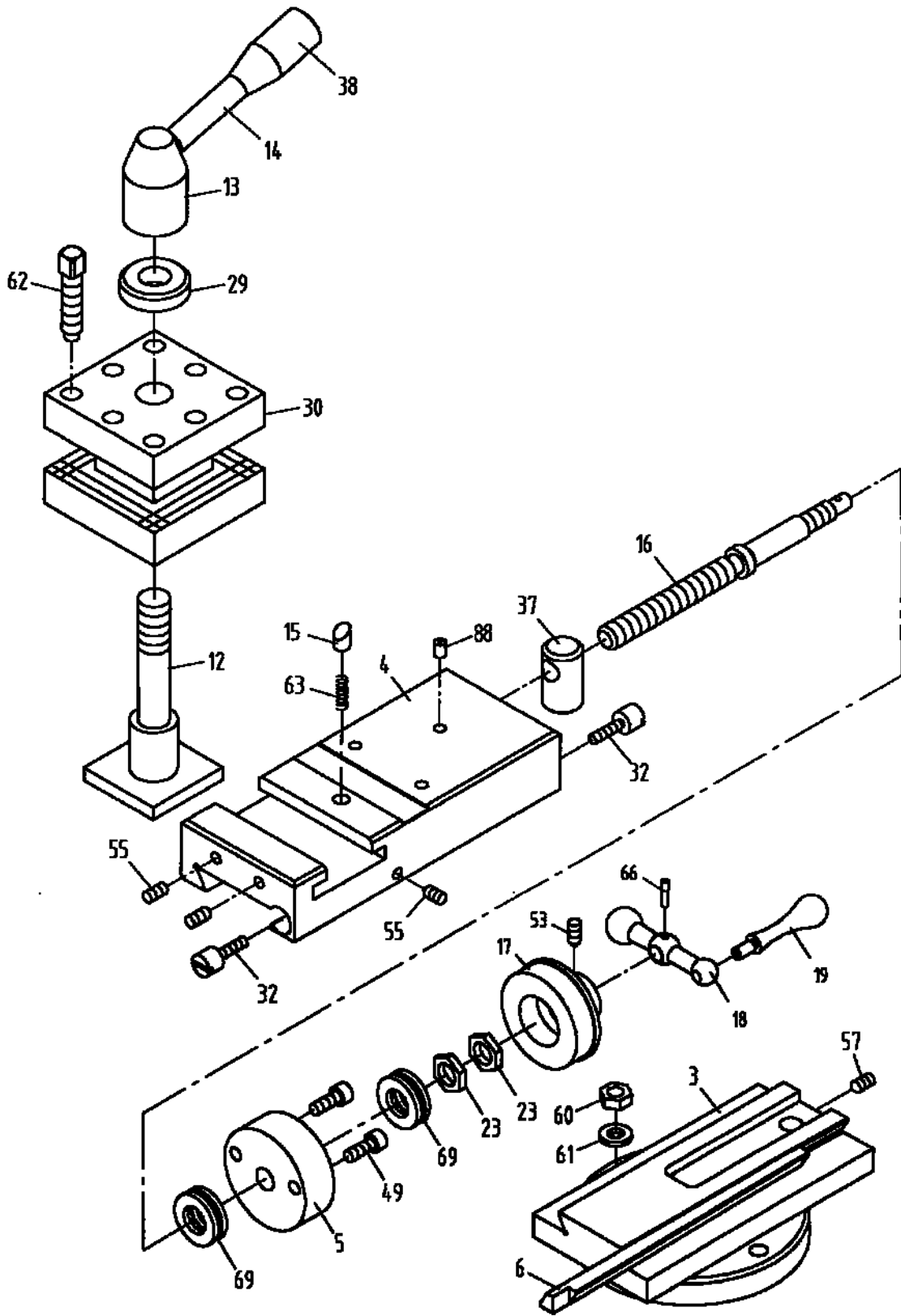
15.1 Micro Carriage Stop Assembly – Exploded View



15.2 Micro Carriage Stop Assembly – Parts List

Index No	Part No	Description	Size	Qty
1	GHB1340A-01707	Dial		1
2	GHB1340A-MS02	Pin	B3x6	1
3	GHB1340A-01716	Axle		1
4	GHB1340A-01107G	Stop		1
5	ZX-03302	Indicator Plate		1
6	ZX-MS06	Pin	3x8	2
7	TS-1523031	Socket Set Screw	M6x10	1
8	GH1340A-01108	Clamping Plate		1
9	TS-1503051	Hex Socket Cap Screw	M6x20	2

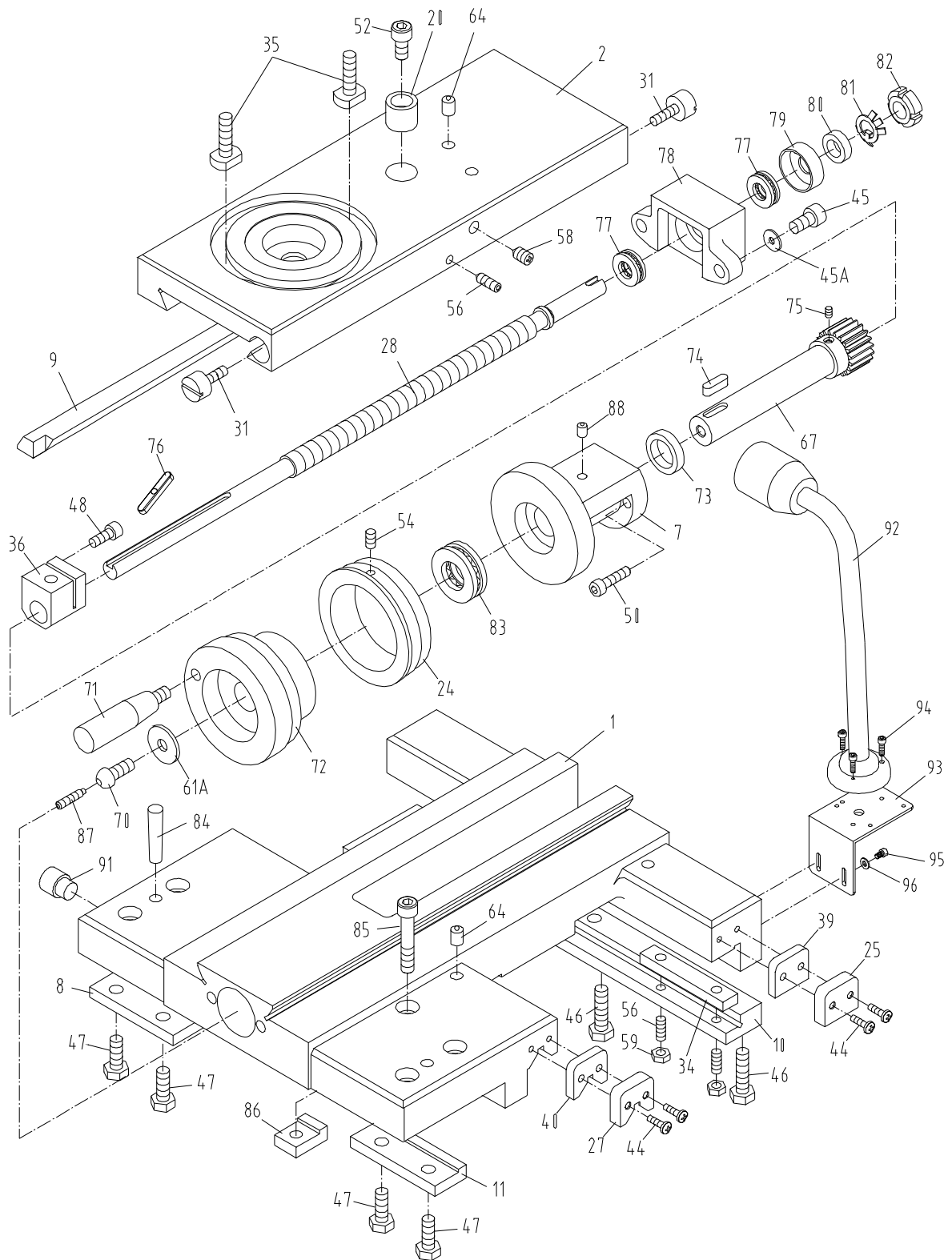
16.1 Top Slide, Tool Post, Saddle, and Cross Slide I – Exploded View



16.2 Top Slide, Tool Post, Saddle, and Cross Slide I – Parts List

Index No	Part No	Description	Size	Qty
3	07103	Swivel Slide (For GHB-1340A/BDB-1340A)		1
	C0636A-04103	Swivel Slide (GHB-1440A Only)		1
4	07104	Top Slide (For GHB-1340A/BDB-1340A)		1
	C0636A-04104	Top Slide (GHB-1440A Only)		1
5	07111	Collar		1
6	07117	Gib		1
12	07205	Screw		1
13	07206	Handle Base		1
14	07207	Handle Shaft		1
15	07209	Stop		1
16	07210	Screw		1
17	07212	Index Ring		1
18	07213G	Ball Handle		1
19	07214G	Handle		1
23	07221	Nut		2
29	07233	Washer		1
30	07234	Post Base		1
32	07237	Gib Adjusting Screw		2
37	07430	Nut		1
38	07508	Knob		1
49	TS-1503051	Hex Socket Cap Screw	M6x20	2
53	TS-1523011	Set Screw	M6x6	1
55	TS-1523031	Set Screw	M6x10	3
57	TS-1524011	Set Screw	M8x8	1
60	TS-1540061	HexNut	M8	2
61	TS-1550061	Washer	8	2
62	GHB1340-62T	Screw	M10x40	8
63	GHB1340-63T	Spring	0.6x4x18	1
66	GHB1340-66T	Pin	3x16	1
69	GHB1340-69T	Ball Bearing		2
88	GHB1340-88	Oil Ball	6	3
	GHB1340-TSA	Top Slide Assembly w/o Tool Post (For GHB-1340A/BDB-1340A)		1
	GHB1440A-TSA	Top Slide Assembly w/o Tool Post (GHB-1440A Only)		1

17.1 Top Slide, Tool Post, Saddle, and Cross Slide II – Exploded View



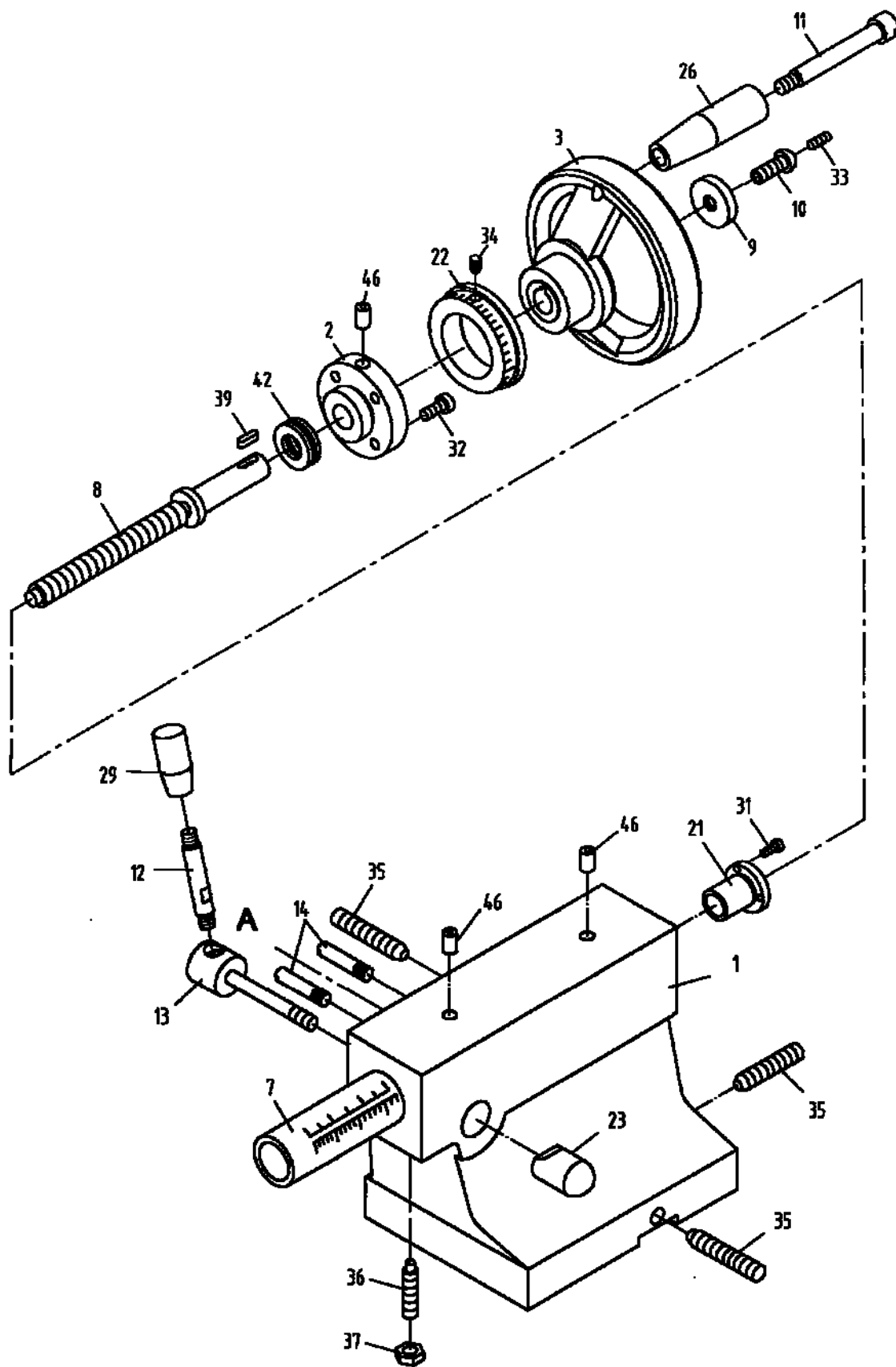
17.2 Top Slide, Tool Post, Saddle, and Cross Slide II – Parts List

Index No	Part No	Description	Size	Qty
1	07101	Slide (GHB-1340A, serial #07061685A and lower)		1
		(BDB-1340A, serial #0706B0764A and lower)		1
	GHB-1340A-04101A	Slide (GHB-1340A, serial #07061686A and higher)		1
		(BDB-1340A, serial #0707B0765A and higher)		1
		(for GHB-1440A)		
	GHB-1340A-04101AG	Slide		1
2	07102	Cross Slide		1
7	07120N	Bearing Housing		1
8	07123	Strip		1
9	07131	Gib		1
10	07132	Strip		1
11	07141	Front Strip (GHB-1340A, serial #07061685A and lower)		1
		(BDB-1340A, serial #0706B0764A and lower)		1
	C0632-04111A	Front Strip (GHB-1340A, serial #07061686A and higher)		1
		(BDB-1340A, serial #0707B0765A and higher)		1
		(for GHB-1440A)		1
20	07216	Collar		1
24	07222N	Index Ring		1
25	07224	Plate		2
27	07227	Plate		2
28	07229N	Screw		1
31	07236	Gib Adjusting Screw		2
34	07239	Gib Strip		2
35	07240	T-Bolt		2
36	07415N	Block		1
39	07526	Wiper		2
40	07528	Wiper		2
44	GHB1340-44T	Screw	M4x12	8
45	TS-1504051	Hex Socket Cap Screw	M8x25	2
45A	TS-1551061	Lock Washer	M8	2
46	GHB1340-46T	Screw	M8x20	3
47	GHB1340-47T	Screw	M8x20	4
48	TS-1503041	Hex Socket Cap Screw	M6x16	1
50	TS-1503061	Hex Socket Cap Screw	M6x25	2
52	TS-1504031	Hex Socket Cap Screw	M8x16	1
54	TS-1523021	Set Screw	M6x8	1
56	TS-1523071	Set Screw	M6x25	5
58	TS-1524021	Set Screw	M8x10	1
59	TS-1540041	Hex Nut	M6	4
61A	GHB1340-65T	Washer		1
64	GHB1340-64T	Oil Ball	8	5
67	07530	Gear Shaft		1
70	TS-1504041	Screw	M8x20	1
71	07531G	Handle		1
72	07532G	Compound Handle		1
73	07533	Spacer		1
74	07534	Key		1
75	07535	Set Screw	M3x8	1
76	07536	Key	5x5x30	1
77	BB-8101	Thrust Bearing	8101	2
78	07538	Bearing Housing		1
79	07539	Bearing Dust Cover		1
80	07540	Washer		1
81	07541	Star Washer		1
82	07542	Locking Nut		1
83	BB-8104	Thrust Bearing	8104	1

17.2 Top Slide, Tool Post, Saddle, and Cross Slide II – Parts List

Index No	Part No	Description	Size	Qty
84	GHB1340-84	Taper Pin	8x40	2
85	GHB1340-85	Hex Socket Cap Screw	M8x50	1
86	GHB1340-86	Locking Washer		1
87	GHB1340-87	Screw	M5x20	1
88	GHB1340-88	Oil Ball	6	1
91	GHB1340A-04789E	Stop Pin (GHB-1340A, serial #07061686A and higher)		1
		(BDB-1340A, serial #0707B0765A and higher)		1
		(for GHB1440A)		1
92	GHB-EL	Machine Lamp	JC34A	1
93	GHB-1340A18710B	Light Base		1
94	TS-1503051	Hex Socket Cap Screw	M6x20	3
95	TS-1503021	Hex Socket Cap Screw	M6x10	2
96	TS-1550041	Washer	6mm	2

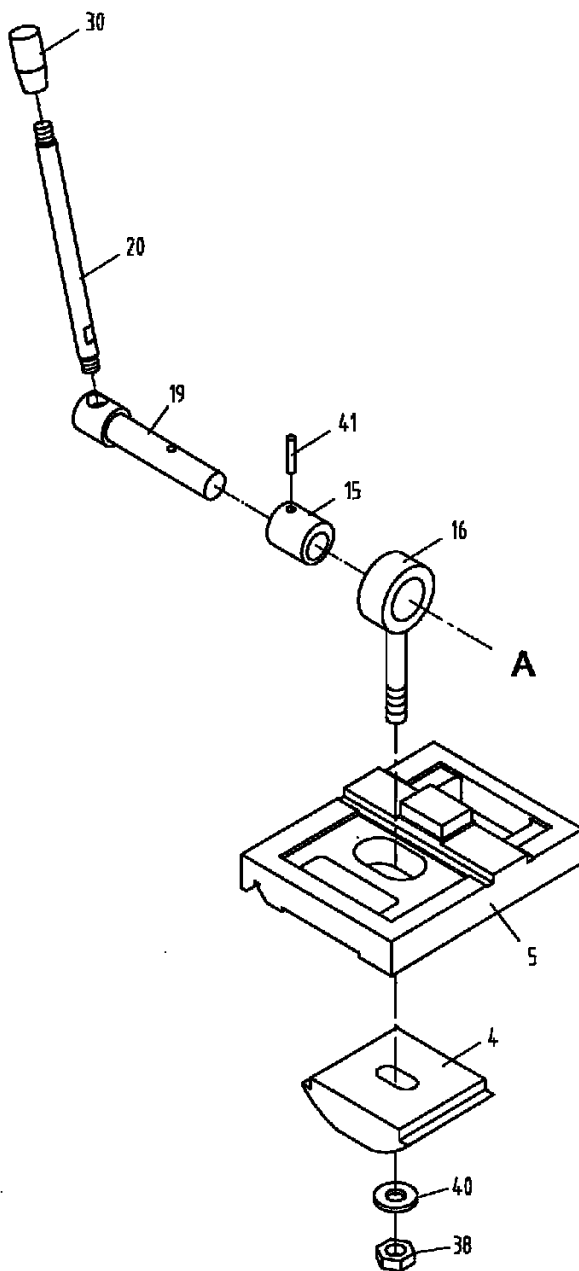
18.1 Tailstock Assembly I – Exploded View



18.2 Tailstock Assembly I – Parts List

Index No	Part No	Description	Size	Qty
1	Z08101G	Casting		1
2	Z08102G	Flange Cover		1
3	.08103G	Hand Wheel		1
7	.08202	Quill		1
8	Z08203	Screw		1
9	GHB1340-09TS	Washer		1
10	Z08205	Screw	M8x20	1
11	.08206G	Screw		1
12	Z08207	Lever		1
13	.08208	Shaft		1
14	.08209	Screw		2
21	.08401	Nut		1
22	.08402	Index Ring		1
23	.08403	Pivot Block		1
26	.08501G	Handle		1
29	GHB1340-147	Knob	M8x40	1
31	TS-1501031	Hex Socket Cap Screw	M4x10	3
32	TS-1503041	Hex Socket Cap Screw	M6x16	4
33	TS-1522061	Set Screw	M5x20	1
34	TS-1523031	Set Screw	M6x8	1
35	GHB1340-35TS	Set Screw	M10x45	3
36	GHB1340-36TS	Screw	M8x35	1
37	TS-1540061	Hex Nut	M8	1
39	GHB1340-39TS	Key	4x15	1
42	BB-51102	Bearing	8102	1
46	GHB1340-43TS	Oil Ball	8	3
	Z08201	Live Center (not shown)	MT3	1
	.8404	Arrow Plate (not shown)		1
	.8405	Scale Plate (not shown)		1

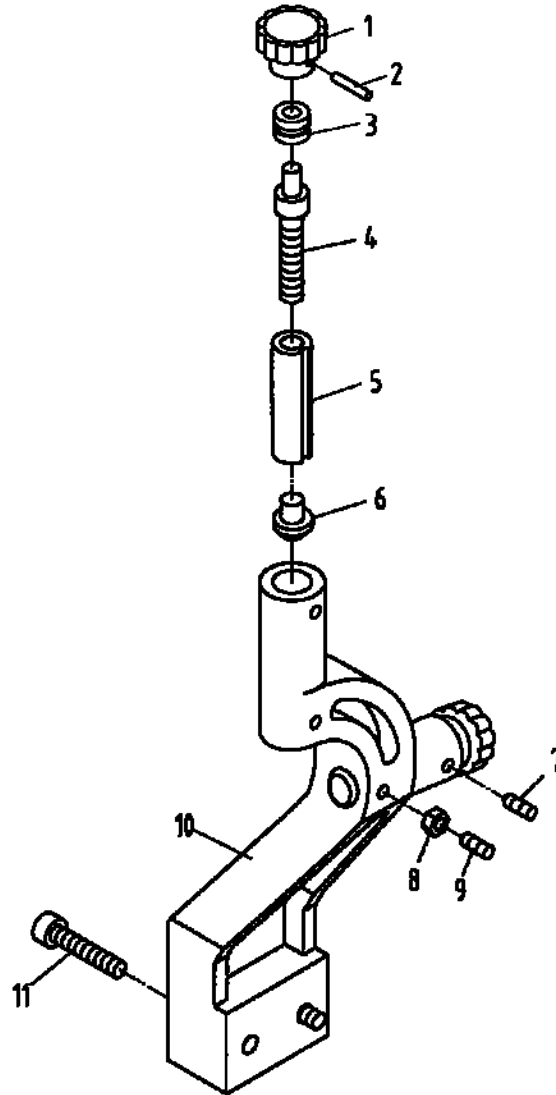
19.1 Tailstock Assembly II – Exploded View



19.2 Tailstock Assembly II – Parts List

Index No	Part No	Description	Size	Qty
4	08104	Clamp Plate		1
5	08105G	Base (For GHB-1340A/BDB-1340A)		1
	C0636A-03104G	Base (For GHB-1440A)		1
15	08211	Collar		1
16	08212	Screw (For GHB-1340A/BDB-1340A)		1
	C0636A-03707	Screw (For GHB-1440A)		1
19	08213	Shaft		1
20	08214	Lever		1
30	07508	Knob		1
38	TS-1540081	Hex Nut	M12	1
40	TS-2360121	Washer	12 mm	1
41	GHB1340-41TS	Pin	5x25	1

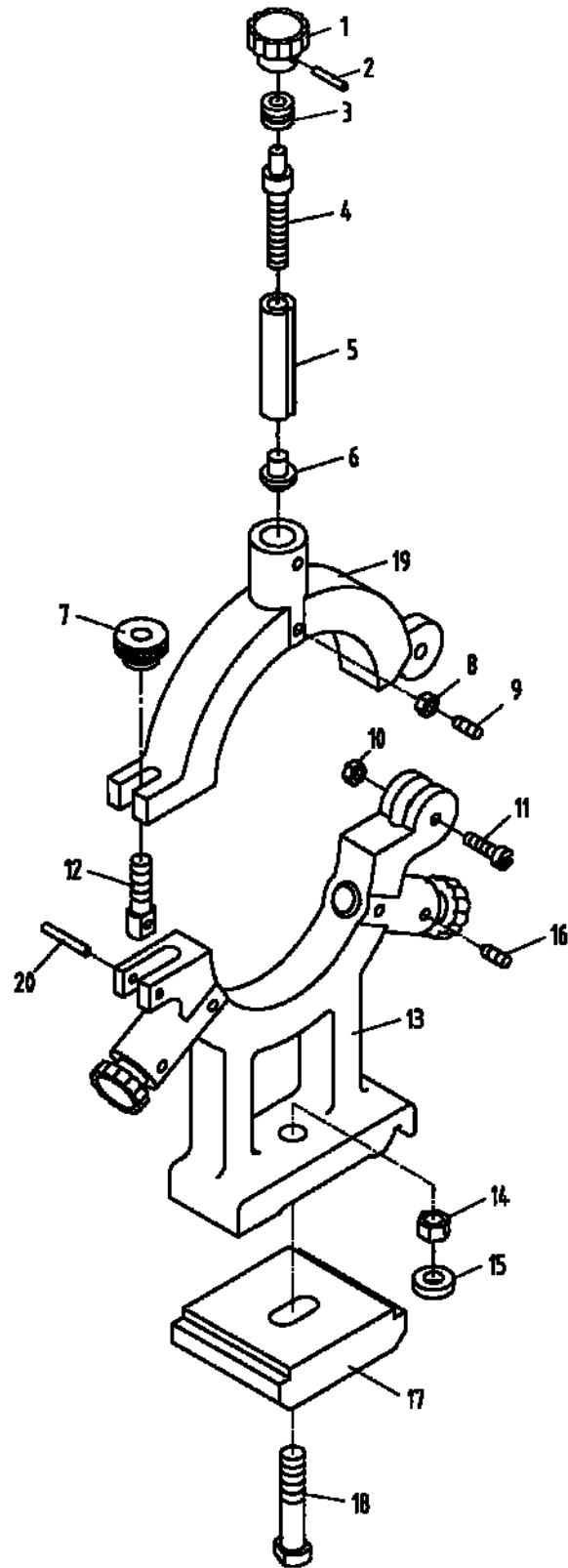
20.1 Follow Rest – Exploded View



20.2 Follow Rest – Parts List

Index No	Part No	Description	Size	Qty
1	GHB1340-1FR	Knob		2
2	GHB1340-2FR	Pin	3x18	2
3	10208	Bushing		2
4	10204	Screw		2
5	10201	Sleeve		2
6	10401	Brass Finger		2
7	TS-1523011	Set Screw	M6x8	2
8	TS-1540041	Nut	M6	2
9	TS-1523051	Set Screw	M6x16	2
10	10104G	Base Casting (For GHB-1340A/BDB-1340A)		1
	C0636A-10104G	Base Casting (For GHB-1440A)		1
11	TS-1504071	Hex Socket Cap Screw	M8x35	2
	GHB1340-FRG	Follow Rest Complete (For GHB-1340A/BDB-1340A)		1
	GHB1440A-FRG	Follow Rest Complete (For GHB-1440A)		1

21.1 Steady Rest – Exploded View



21.2 Steady Rest – Parts List

Index No	Part No	Description	Size	Qty
1	GHB1340-1FR	Knob		3
2	GHB1340-2FR	Pin	3x18	3
3	10203	Bushing		3
4	10204	Screw		3
5	10201	Sleeve		3
6	10401	Brass Finger		3
7	10205	Lock Knob		1
8	TS-1540041	Nut	M6	3
9	TS-1523051	Set Screw	M6x16	3
10	TS-1540041	Nut	M6	1
11	GHB1340-11SR	Bolt	M6x30	1
12	10206	Pivot Bolt		1
13	10102G	Base Casting (For GHB-1340A/BDB-1340A)		1
	C0636A-10101G	Base Casting (For GHB-1440A)		1
14	TS-1540081	Nut	M12	1
15	TS-1550081	Flat Washer	12mm	1
16	TS-1523021	Set Screw	M6x8	3
17	10103	Clamp Rod		1
18	TH1340-18SR	Clamp Screw		1
19	10101G	Top Casting		1
20	GHB1340-20SR	Pin	5x25	1
	GHB1340-SRG	Steady Rest Complete (For GHB-1340A/BDB-1340A)		1
	GHB1440A-SRG	Steady Rest Complete (For GHB-1440A)		1

23.0 Additional Parts (Not Shown)

Index No	Part No	Description	Size	Qty
.....	GHB1340-FP.....	Face Plate.....	12"D1-4.....	1
.....	GHB1340-TBC.....	Tool Box Complete.....		1
.....	321449.....	Chuck.....	6" 3Jaw.....	1
.....	321430.....	Chuck.....	8" 4Jaw.....	1
.....	GHB1340A-CG1.....	Change Gear.....	1.25m44T.....	1
.....	GHB1340A-CG2.....	Change Gear.....	1.25m48T.....	1
.....	GHB1340A-CG3.....	Change Gear.....	1.25m33T.....	1
.....	GHB1340A-CG4.....	Change Gear.....	1.25m46T.....	1
.....	GHB1340A-CG5.....	Change Gear.....	1.25m52T.....	1

24.0 Additional Electrical Components (Not Shown)

Index No	Part No	Description	Size	Qty
.....	BDB1340-QS1.....	Main Power Switch (BDB-1340A Only).....		1
.....	BDB1340-QS1-A.....	Faceplate for Power Switch (BDB-1340A Only).....		1
.....	BDB1340-QS1-B.....	Knob for Power Switch (BDB-1340A Only).....		1
.....	321320.....	Motor (2HP,1Ph,60HZ 230V only for GHB-1340A/1440A).....		1
.....	GHB1340-MP.....	Motor Pulley.....		1
.....	321321.....	Motor (2HP,1Ph,60HZ 230V only for BDB-1340A).....		1
.....	BDB1340-MP.....	Motor Pulley.....		1
.....	GHB1340-C.....	Capacitor (same with BDB-1340A).....		1
.....	GHB1340-CC.....	Capacitor Cover (same with BDB-1340A).....		1
.....	GHB1340-CSF.....	Centrifugal Switch Fixture (same with BDB-1340A).....		1
.....	GHB1340-CSR.....	Centrifugal Switch Rotor.....		1
.....	BDB1340-CSR.....	Centrifugal Switch Rotor.....		1
.....	GHB1340A-EBCG.....	Electrical Box Complete.....		1
.....	BDB1340A-EBCG.....	Electrical Box Complete.....		1
.....	GHB1340A-18701G.....	Electrical Box (bare).....		1
.....	BDB1340A-18701G.....	Electrical Box (bare).....		1
.....	GHB1340-JB.....	Motor Junction Box.....		1
.....	BDB1340-JB.....	Motor Junction Box.....		1
.....	GHB1340A-RSB.....	Rotary Switch Box.....		1
.....	GHB1340A-SP.....	Electric Switch Plate (GHB-1340A/1440A Only).....		1