

323P4 325P4 X-SERIES

Saw attachment

Spare parts
Ersatzteile
Pièces détachées
Reserve onderdelen
Repuestos
Reservdelar

A



2



1

2

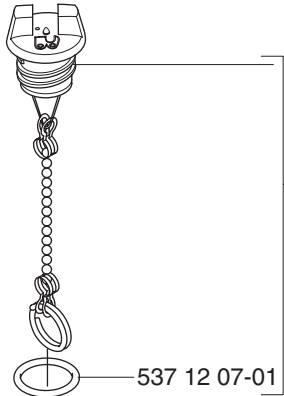
3

537 13 66-01

537 13 65-01

537 11 88-01 (x4)

537 11 79-01 (x4)



537 12 03-01

537 12 07-01

537 11 78-01

537 11 81-01

537 11 82-01

537 11 80-01

537 11 95-01

537 11 81-01

537 11 97-01

537 12 04-01

537 11 92-01

537 11 91-01

537 12 16-01

537 11 96-01

537 11 87-01

537 11 83-01

537 12 17-01

537 12 18-01

537 11 84-01

537 14 67-01

537 11 94-01

537 12 52-01

734 11 45-71

537 11 85-01

537 12 13-01

537 12 15-01

725 53 25-55

501 36 49-98

537 12 01-01

537 08 88-01

**

501 36 49-97

537 12 46-01

537 15 49-01

**compl 537 11 98-01

537 14 29-01

**

537 12 12-01

537 09 19-01

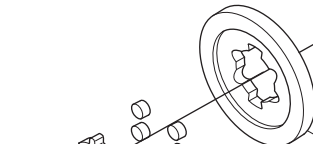
537 12 08-01

537 12 06-01

537 14 30-01

537 12 09-01

503 23 00-68



537 11 29-01*

537 13 92-01

537 09 65-01

503 26 32-02* (x4)

537 11 30-01*

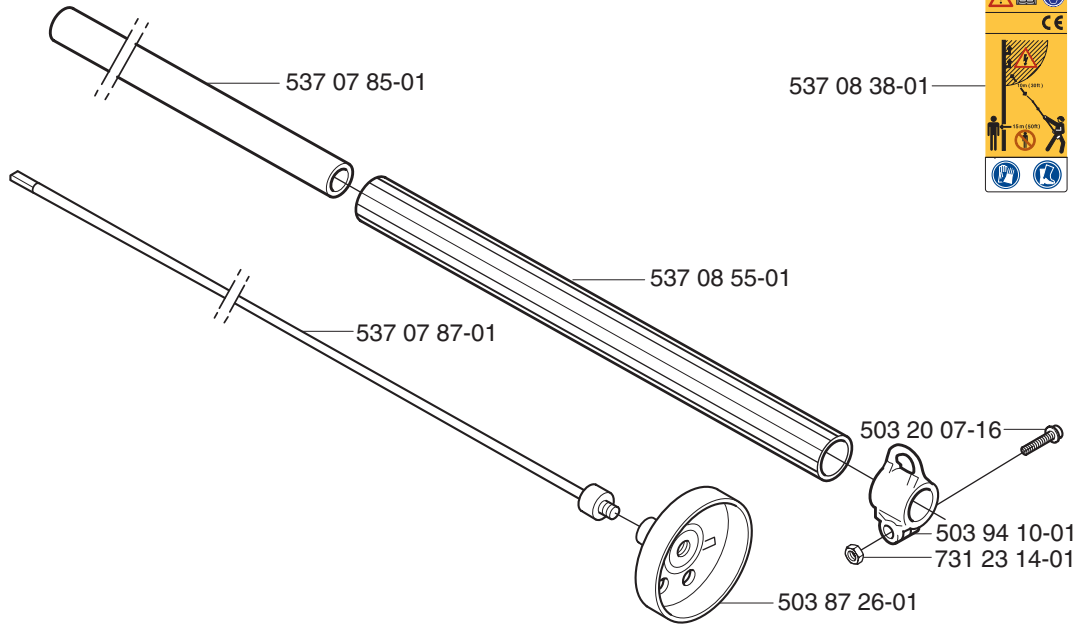
*compl 537 11 28-01

537 11 31-01



B

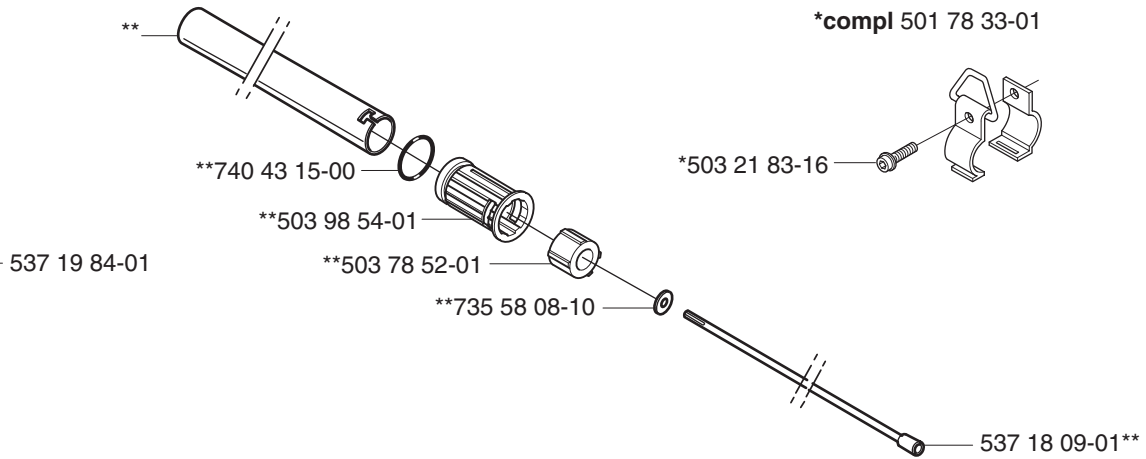
323P4, 325P4x



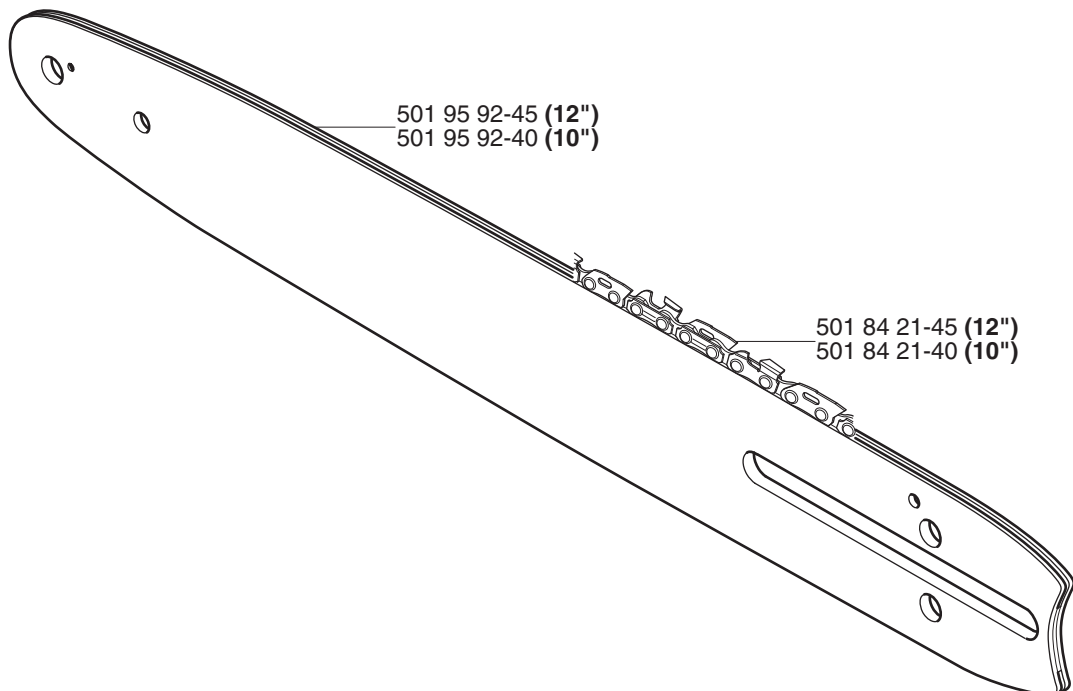
Saw Attachment

**compl 537 17 48-01

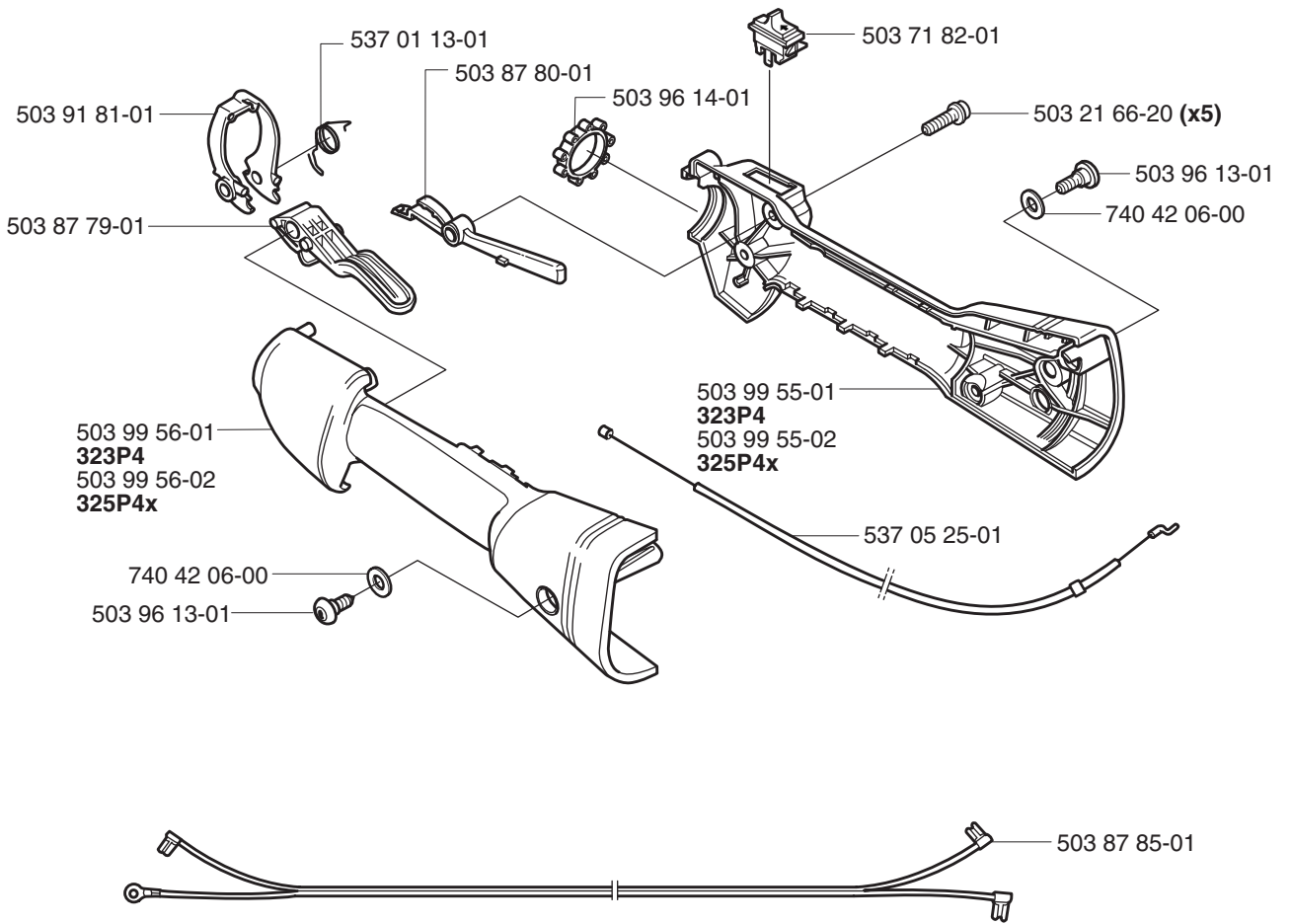
*compl 501 78 33-01



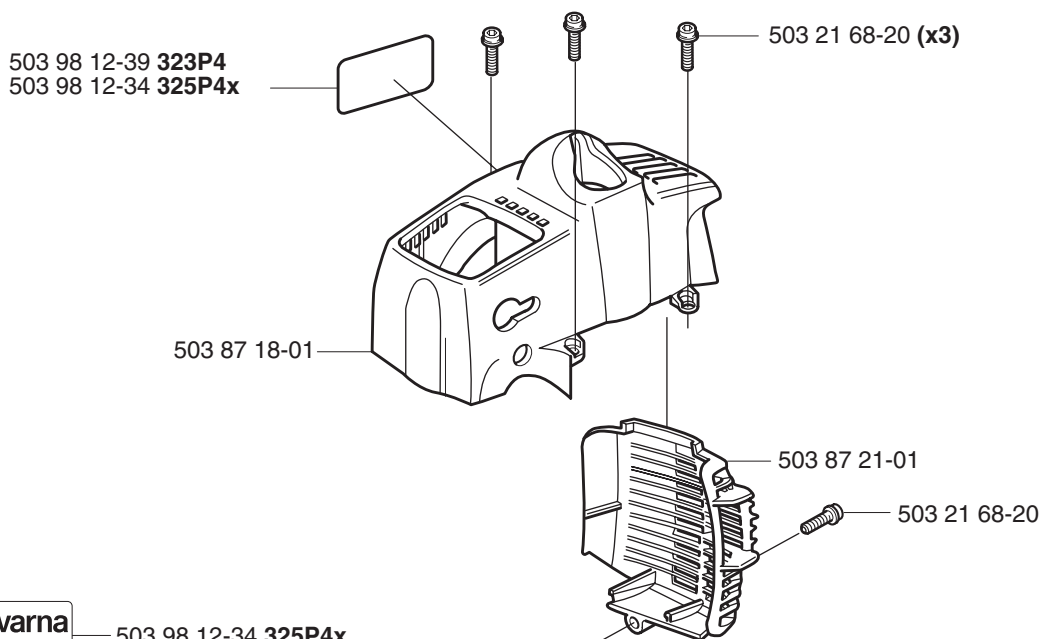
C



D



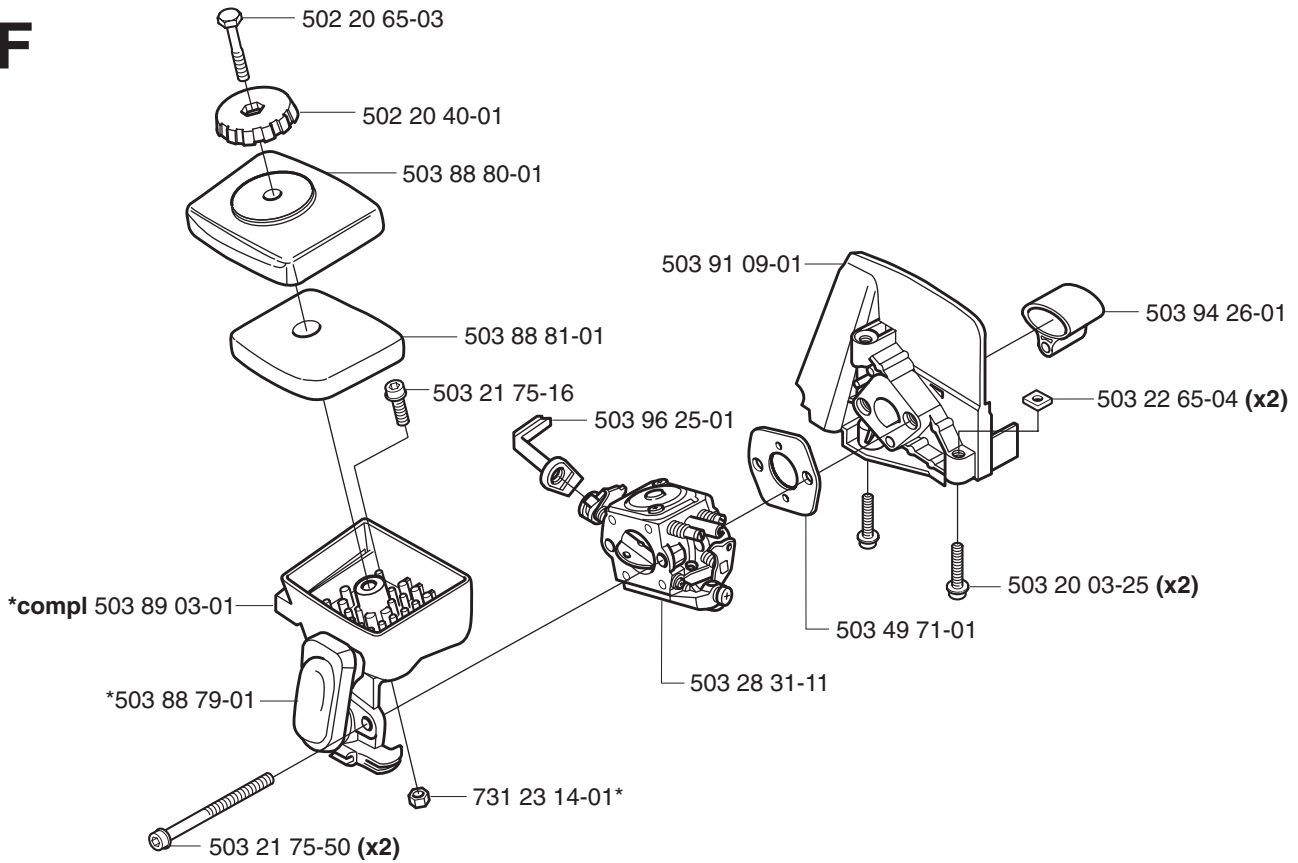
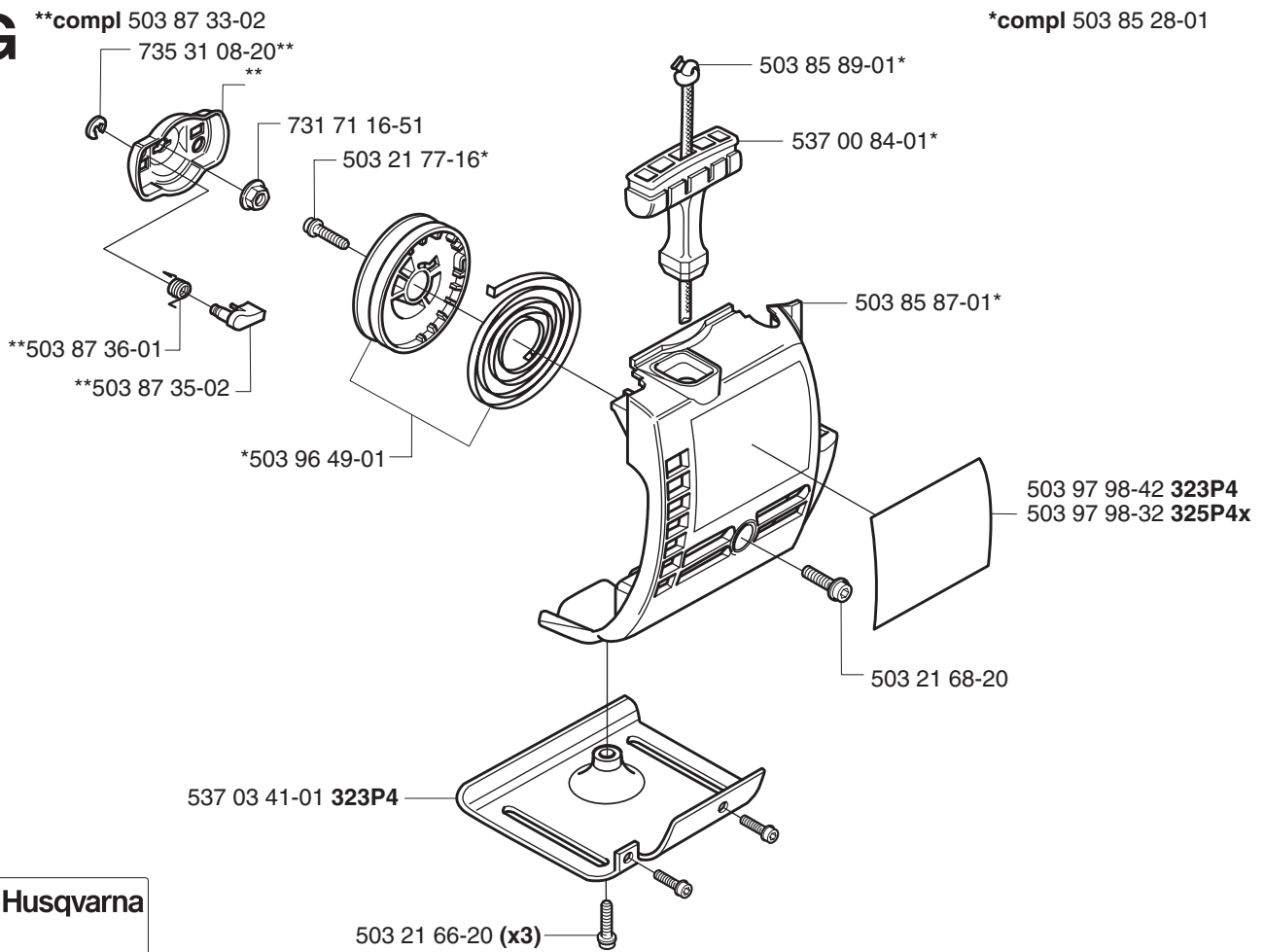
E



503 98 12-34 325P4x



503 98 12-39 323P4

F**G**
323P4

PAT. PEND.

503 97 98-42 323P4

*E-tech***325P4**

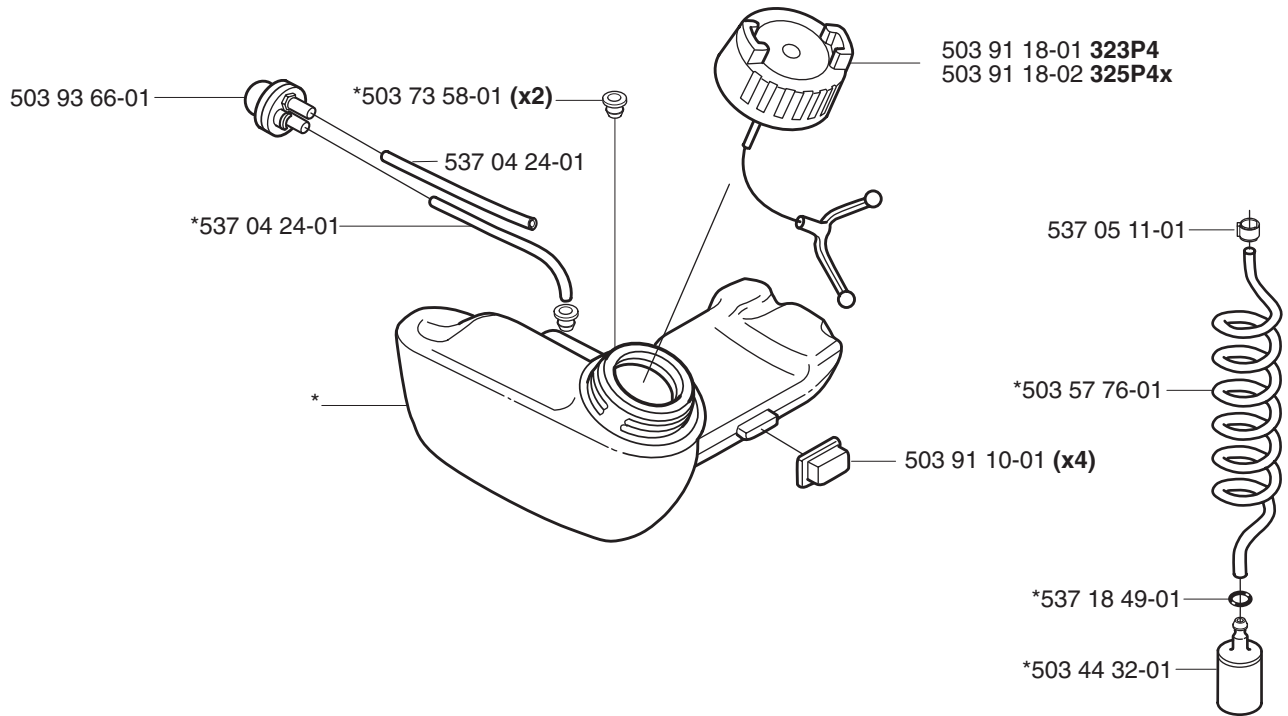
X-SERIES

PAT. PEND.

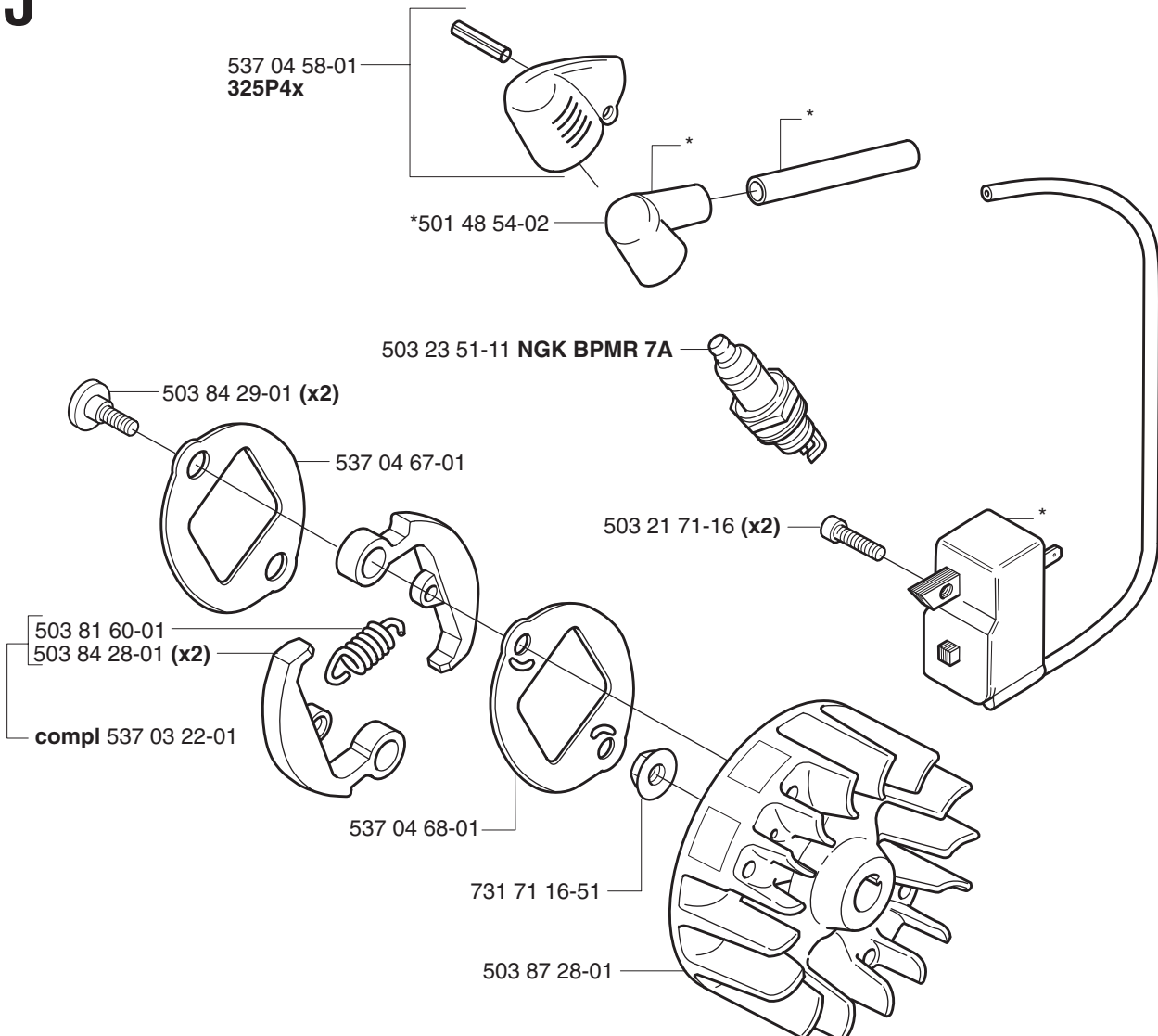
503 97 98-32 325P4x

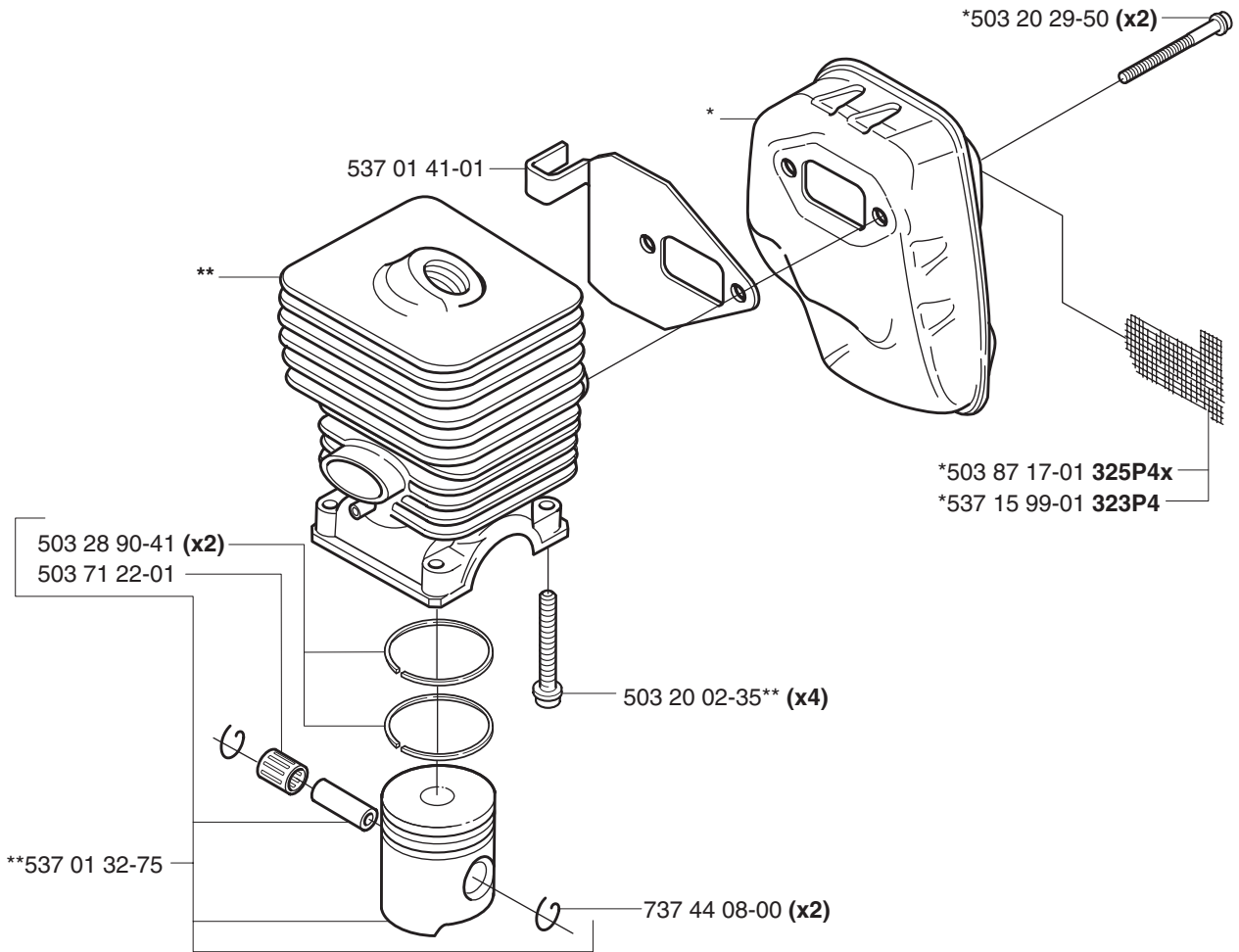
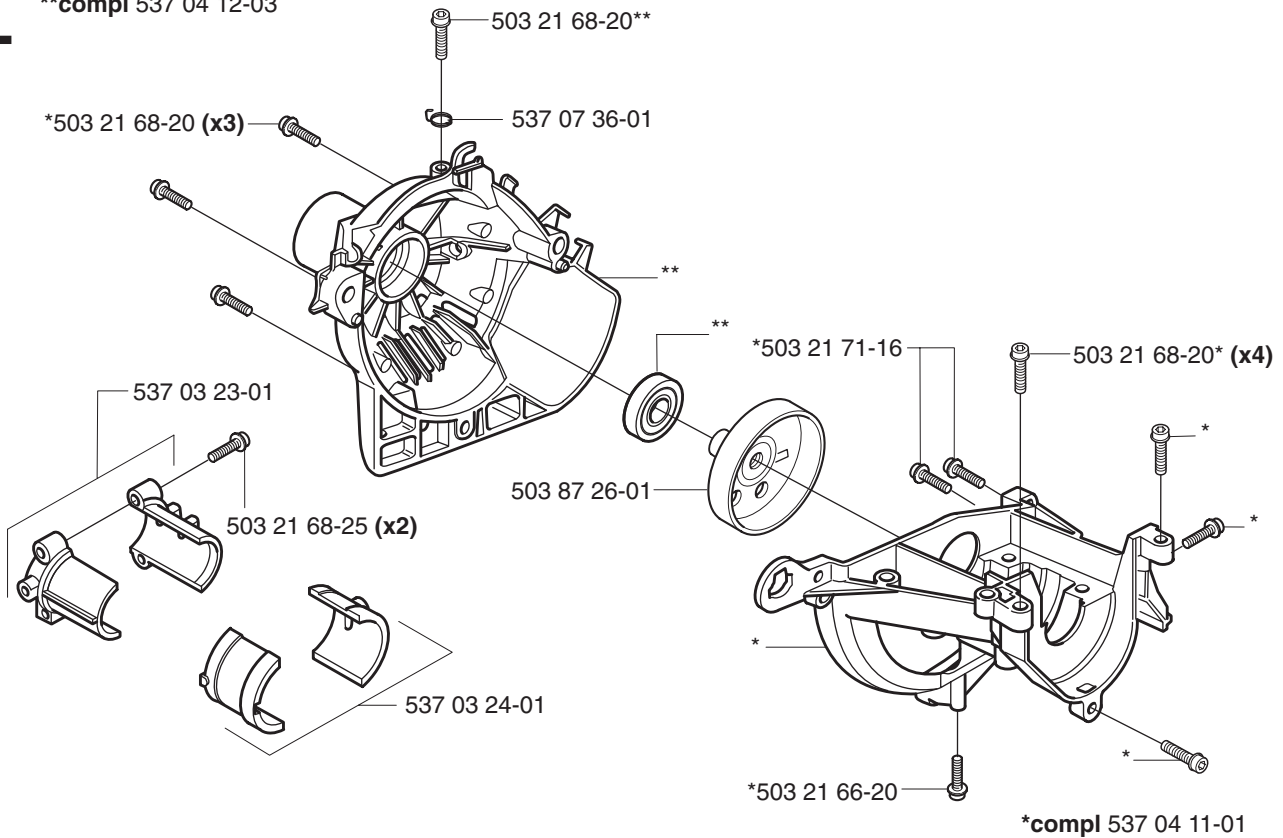
H

*compl 537 06 86-02

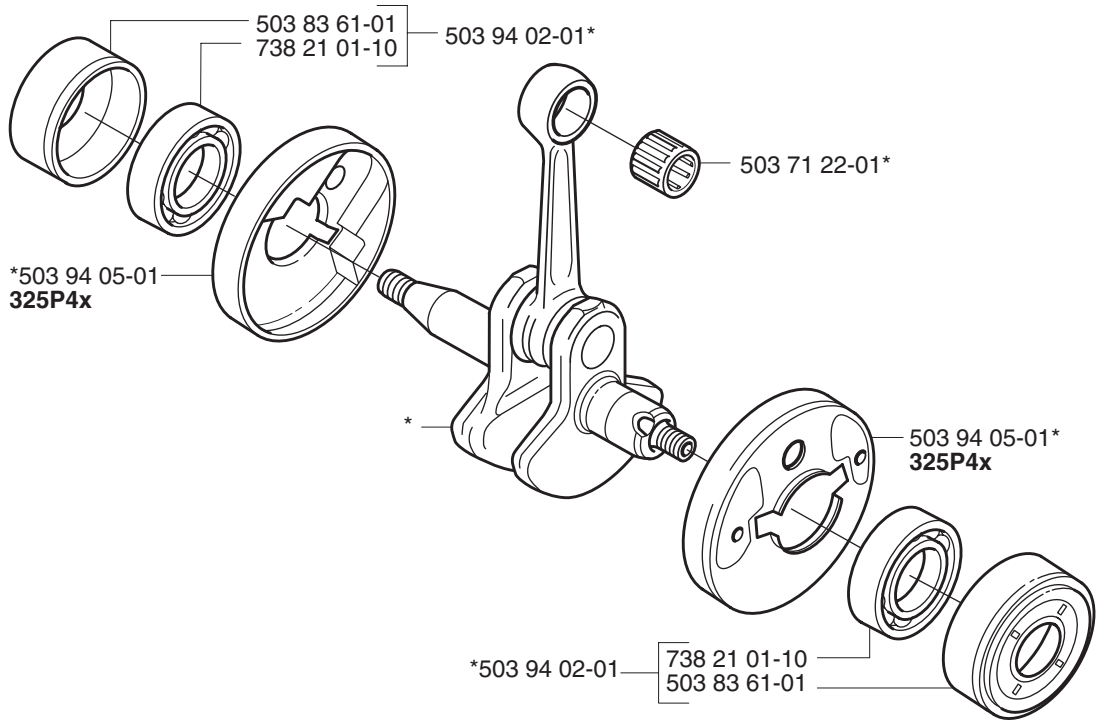
**J**

* compl 537 04 23-01



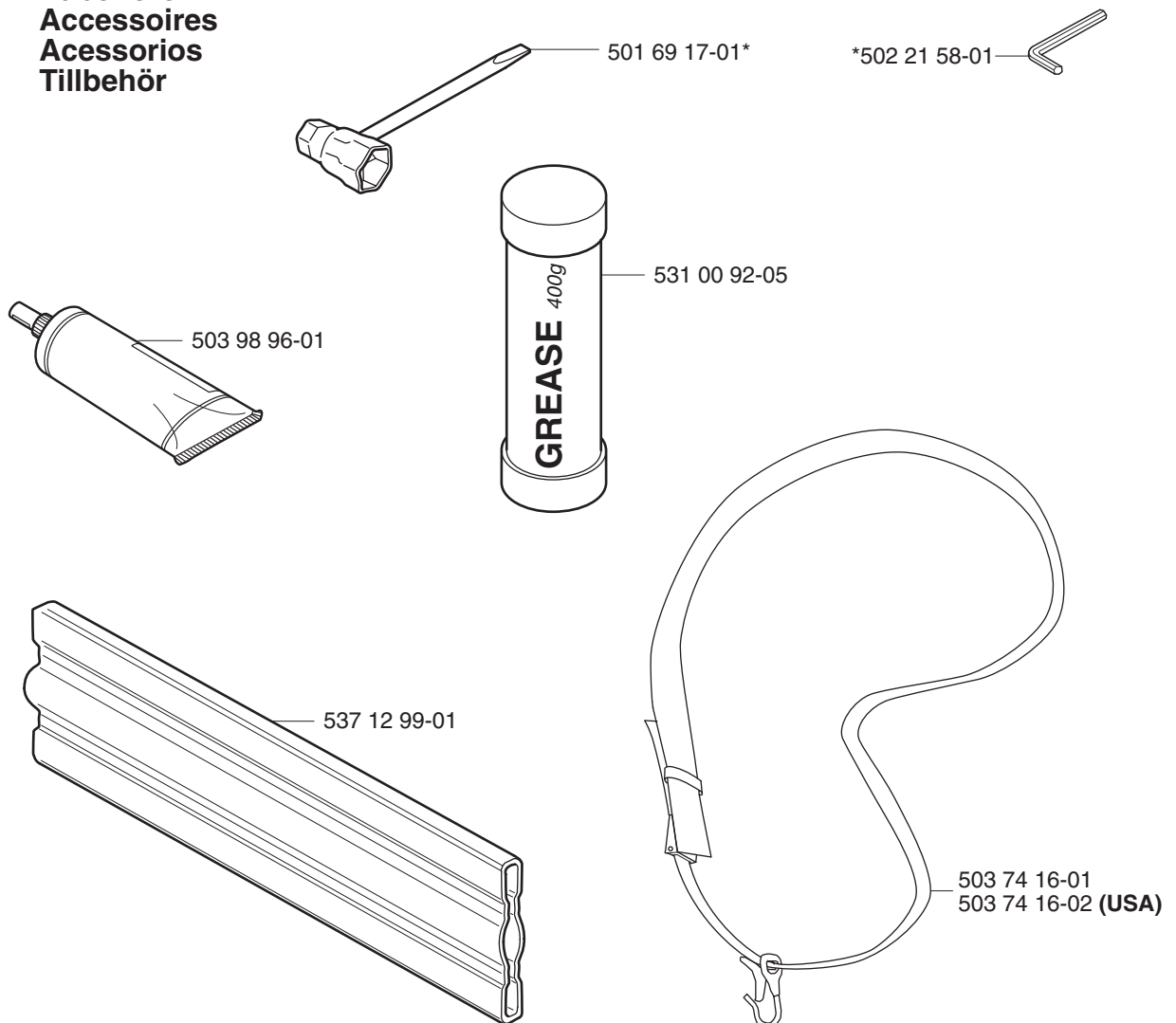
K****compl 537 03 20-05*****compl 537 03 94-01 325P4x**
compl 537 16 19-01 323P4****L***compl 537 04 12-03**

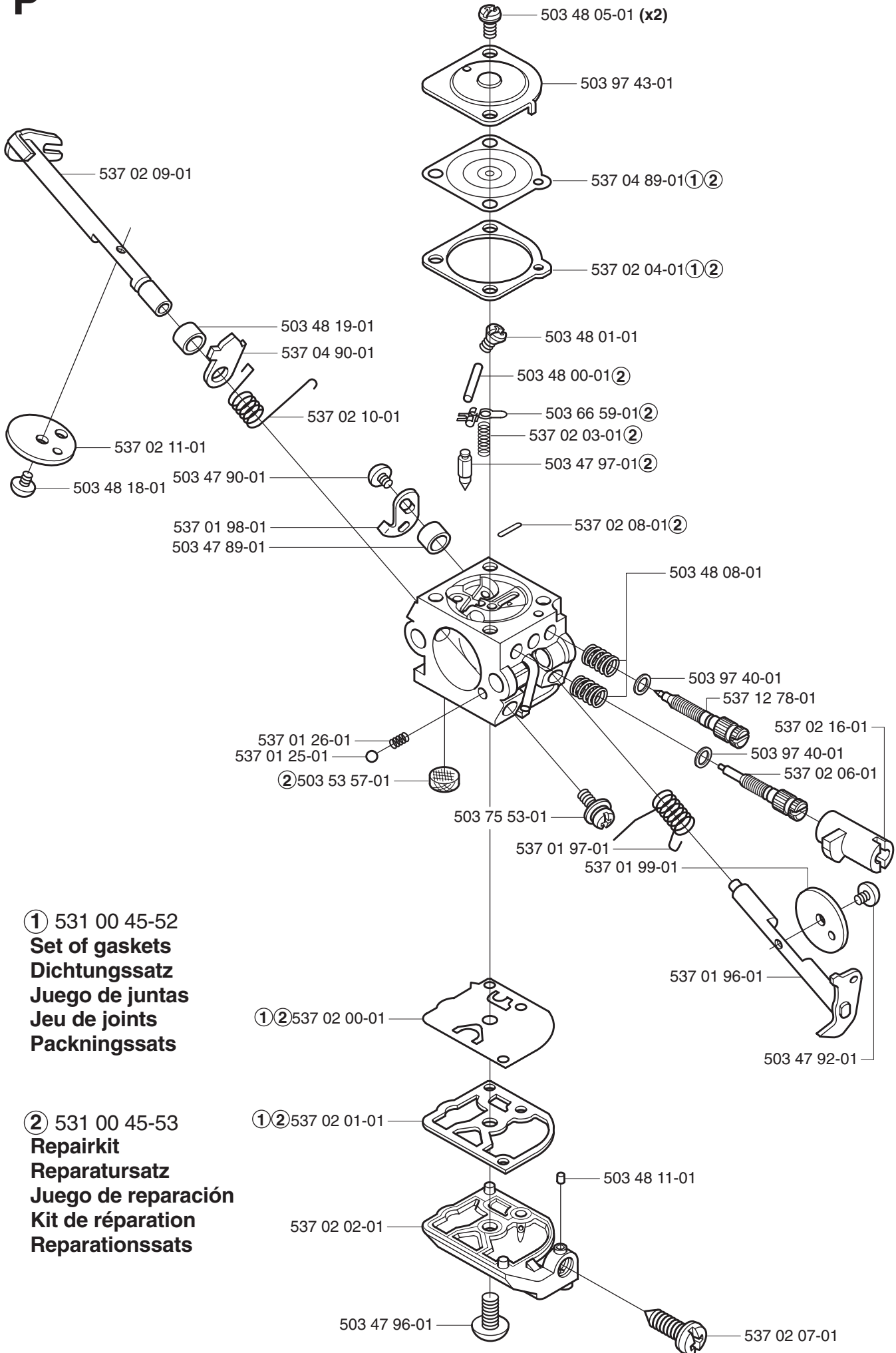
M *compl 503 85 24-74



N Accessories
Zubehöre
Accessoires
Acessorios
Tillbehör

*compl 537 04 07-10





① 531 00 45-52
Set of gaskets
Dichtungssatz
Juego de juntas
Jeu de joints
Packningssatz

② 531 00 45-53
Repairkit
Reparaturatz
Juego de reparación
Kit de réparation
Reparationsatz